

Curtain wall accessories

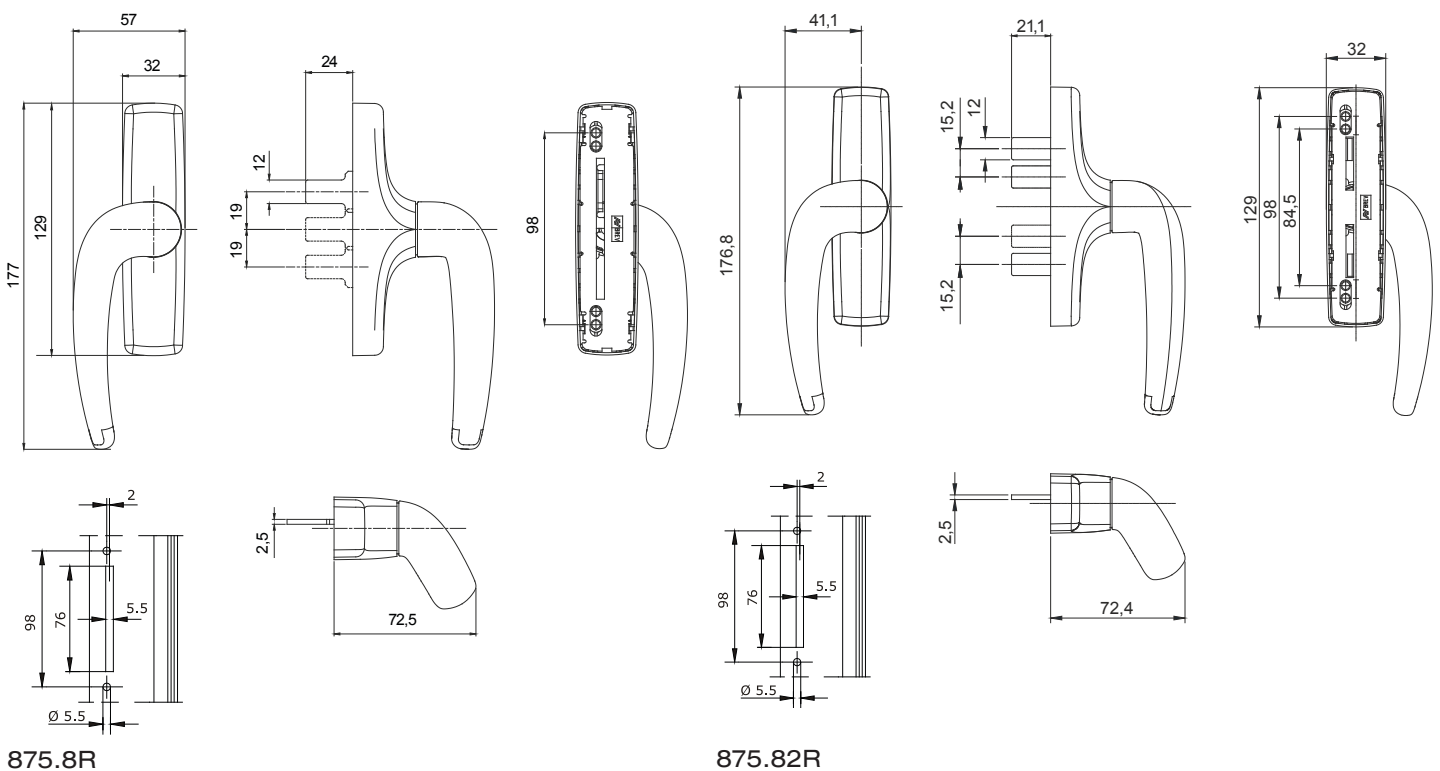


875.8R-875.82R

code	description	finishes	pcs.
875.8R	Right handle for curtain walls in die-cast metal, dist. between centres 84,5-98 mm, 2 socket head cap screws M5x13 in stainless steel 304.	1013, 8019, 9001, 9005, 9010, BW21, GR217, SILV, VRD27	5
875.82R	Bi-directional right handle for curtain walls in die-cast metal, dist. between centres 84,5-98 mm, 2 TORX® (T15) cap screws M5x13 in stainless steel 304.	1013, 1035, 8017, 9005, 9010, GR217	5

Curtain wall accessories

382

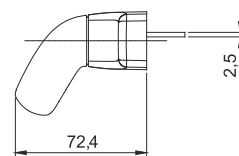
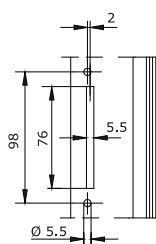
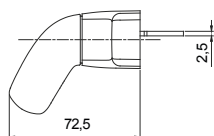
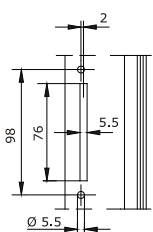
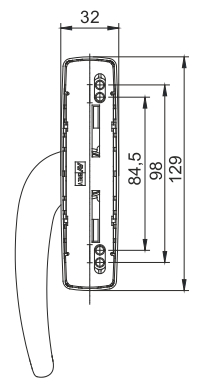
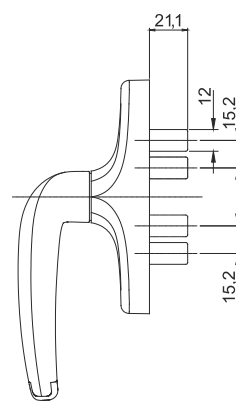
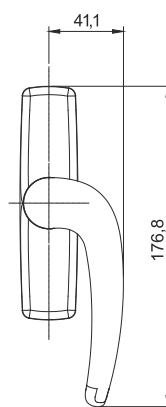
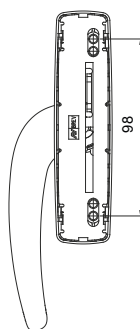
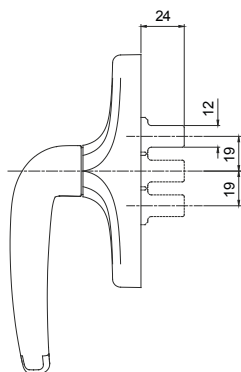
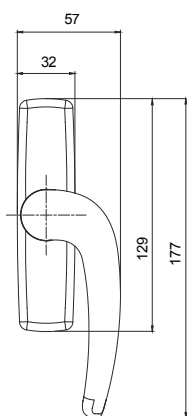




875.8L-875.82L

code	description	finishes	pcs.
875.8L	Left handle for curtain walls in die-cast metal, dist. between centres 84,5-98 mm, 2 socket head cap screws M5x13 in stainless steel 304.	1013, 9001, 9005, 9010, GR217, SILV	5
875.82L	Bi-directional left handle for curtain walls in die-cast metal, dist. between centres 84,5-98 mm, 2 TORX® (T15) cap screws M5x13 in stainless steel 304.	1013, 1035, 8017, 9005, 9010, GR217, SILV	5

Curtain wall accessories



875.8L

875.82L

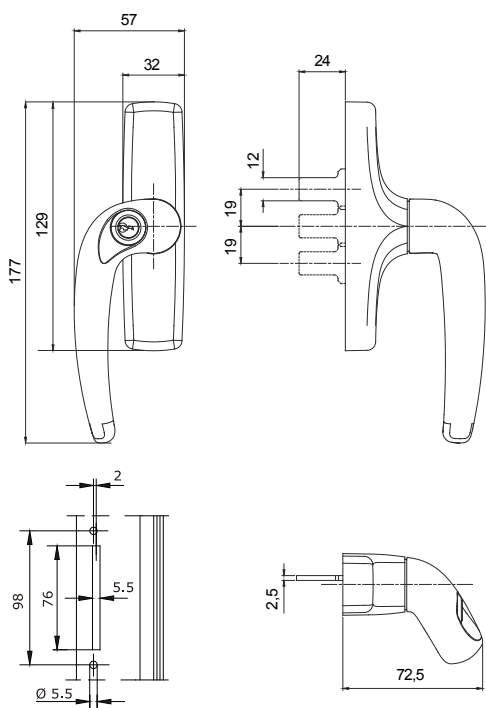


875.753R-875.754R

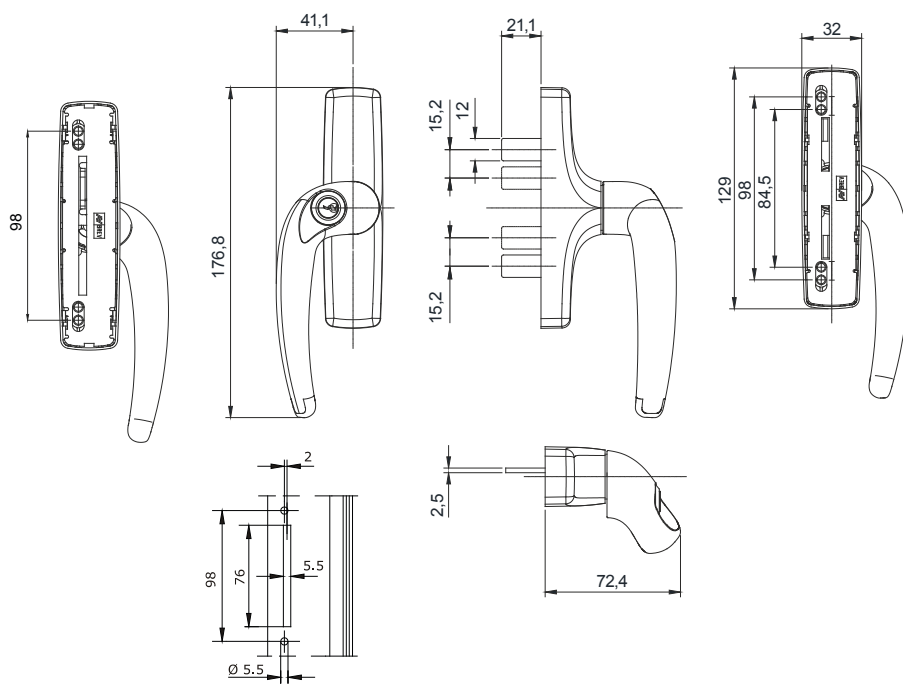
code	description	finishes	pcs.
875.753R	Right handle for curtain walls in die-cast metal, with safety cylinder (same keys), dist. between centres 84,5-98 mm, 2 socket head cap screws M5x13 in stainless steel 304.	1013, 9005, 9010, GR217, SILV	5
875.754R	Bi-directional right handle for curtain walls in die-cast metal, with safety cylinder (same keys), dist. between centres 84,5-98 mm, 2 TORX® (T15) cap screws M5x13 in stainless steel 304.	1013, 9005, 9010, GR217, SILV	5

Curtain wall accessories

384



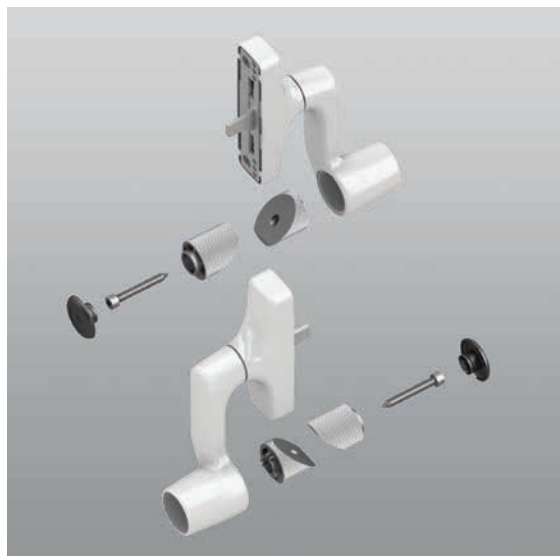
875.753R



875.754R



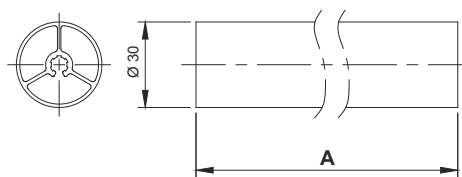
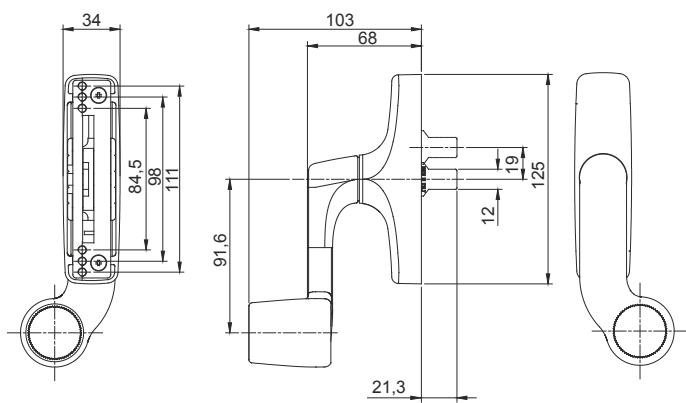
875.51/10
875.51/15



875.91

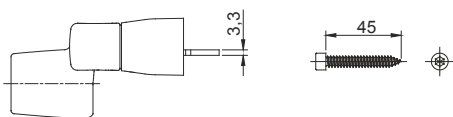
code	description	finishes	pcs.
875.91	Double handle in die-cast metal, 2 bar connection pieces and 2 tie rods in zamak, 2 bar caps in nylon, 2 six lobe cap screws, low head M6.3x45 in galvanized steel and 4 socket head cap screws M5x10 in stainless steel.	9005, 9010	1
875.51/10	Bar of 1000 mm in coated aluminium. To use with the double handle art. 875.91.	9005, 9010	1
875.51/15	Bar of 1500 mm in coated aluminium. To use with the double handle art. 875.91.	9005, 9010	1

Curtain wall accessories



Art.	A
875.51/10	1.000
875.51/15	1.500

875.51/10-875.51/15



875.91



1243.710

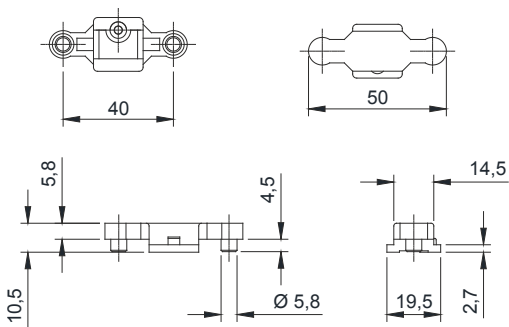


1243.790

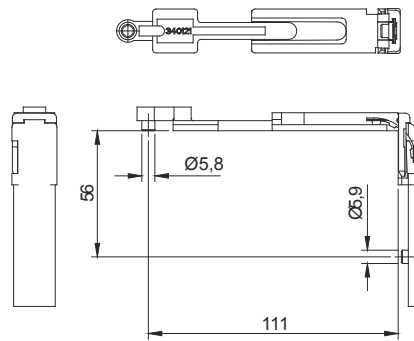
code	description	finishes	pcs.
1243.710	Locking piece in black galvanized zamak, 1 polyurethane cap.		40
1243.790	Upper corner drive in black galvanized zamak.		10

Curtain wall accessories

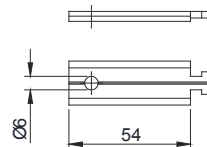
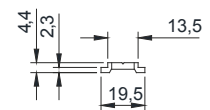
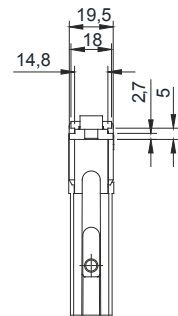
386



1243.710



1243.790





1465



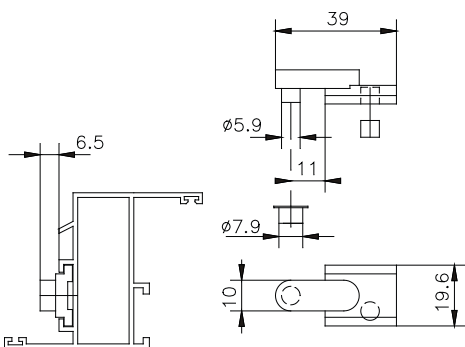
1246.728



1246.726

code	description	finishes	pcs.
1246.726	Locking piece in black galvanized zamak, 1 polyurethane cap.		40
1246.728	Upper corner drive in black galvanized zamak.		10
1465	Terminal locking piece in black galvanized zamak, 1 polyurethane cap and 1 nylon bushing $\varnothing 6$ - $\varnothing 8$.		100

Curtain wall accessories



1465



1411.6

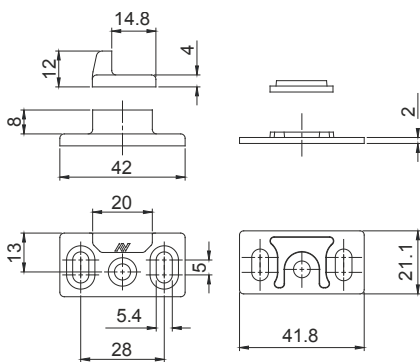


1411.7
1411.8

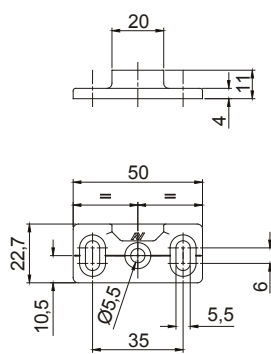
code	description	finishes	pcs.
1411.6	Keeper in black galvanized zamak, 1 nylon spacer of 2 mm.		100
1411.7	Adjustable keeper in black galvanised zamak.		100
1411.8	Keeper in black galvanized zamak, 1 nylon spacer of 2 mm.		100

Curtain wall accessories

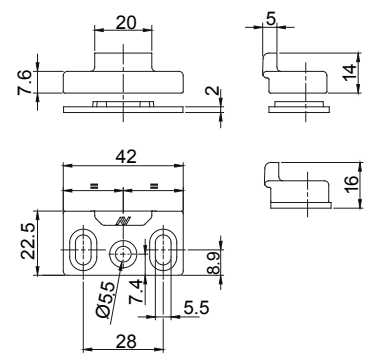
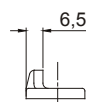
388



1411.6



1411.7



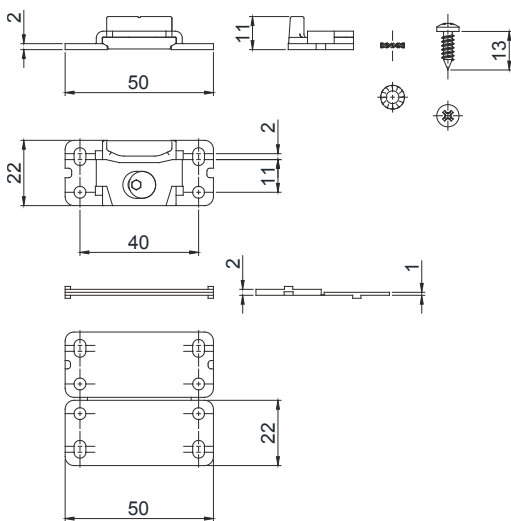
1411.8



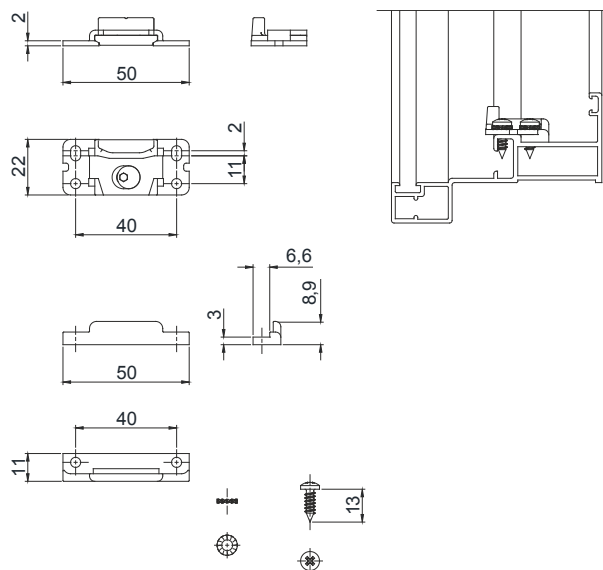
1411.9
1411.29
1411.10

code	description	finishes	pcs.
1411.9	Kit of an adjustable keeper in stainless steel and white galvanized zamak, 2 spacers in black nylon (1 mm and 2 mm), 4 self-tapping round head screws (Ø 3.9x13) and 4 washers in stainless steel.		40
1411.29	Kit of an adjustable keeper in stainless steel and white galvanized zamak, 2 spacers in black nylon (1 mm and 2 mm), 4 self-tapping round head screws (Ø 3.9x13) and 4 washers in stainless steel.		100
1411.10	Kit of an adjustable keeper in stainless steel and white galvanized zamak, 2 spacers in black nylon (1 mm and 2 mm), 4 self-tapping round head screws (Ø 3.9x13) and 4 washers in stainless steel.		40

Curtain wall accessories



1411.9-1411.29



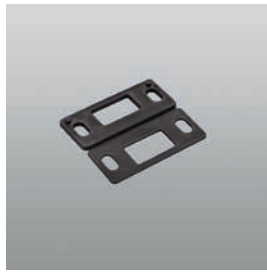
1411.10



1411.832



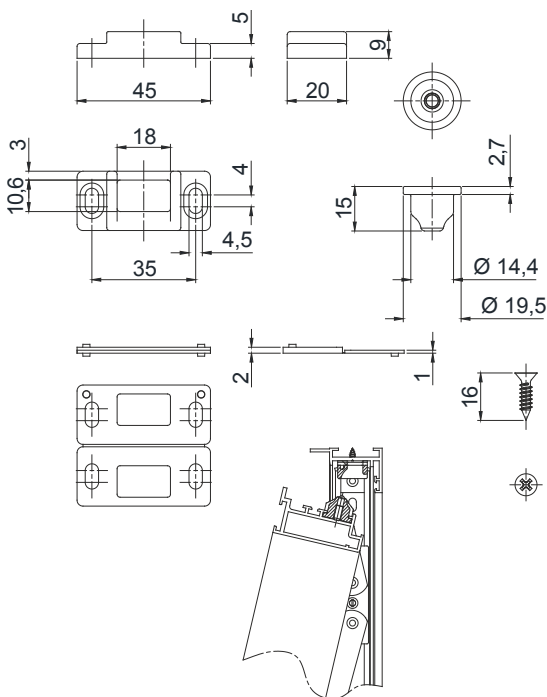
1411.800/1



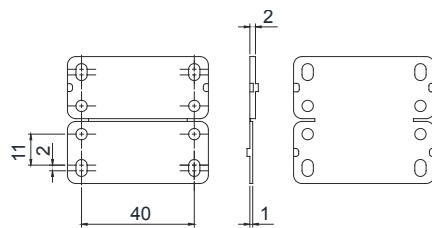
1411.801/1

code	description	finishes	pcs.
1411.832	Kit of a supplementary locking point with preassembled grub screw in white galvanized zamak and stainless steel, 2 spacers in black nylon (1 mm and 2 mm), 2 self-tapping countersunk head screws (Ø 3.9x16) in stainless steel. To be used with arm stays art. 1330HD/20, 1330HD/24 and 1330HD/28.		20
1411.800/1	Kit of spacers for adjustable keeper consisting of one, 1 mm spacer and one, 2 mm spacer in black nylon. To use with art. 1411.9/.29.		40
1411.801/1	Kit of spacers for supplementary locking point art. 1411.832 consisting of one, 1 mm spacer and one, 2 mm spacer in black nylon.		40

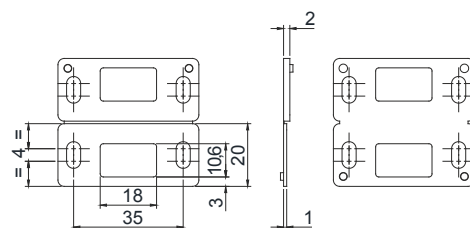
Curtain wall accessories



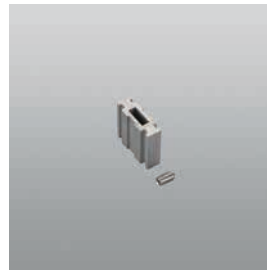
1411.832



1411.800/1



1411.801/1



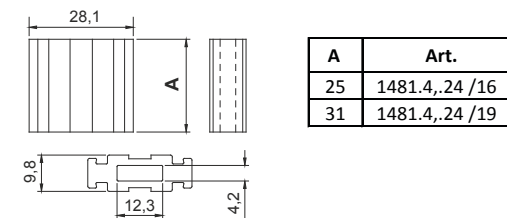
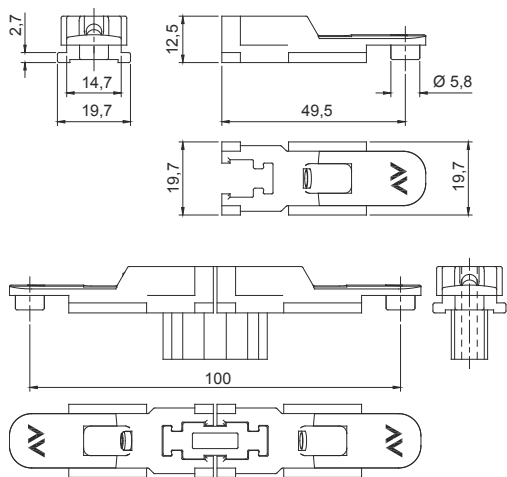
1481.24/16
1481.24/19



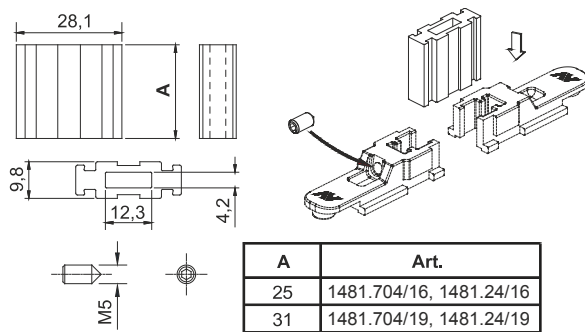
1481.4/16
1481.4/19

code	description	finishes	pcs.
1481.4/16	Kit of handle connection pieces for façade (profile groove: 16.5 - 23 mm) in white galvanized zamak and extruded aluminium, 1 oversizing bushing (Ø 6-Ø 8 mm) in black nylon, preassembled grub screw in stainless steel.		20
1481.4/19	Kit of handle connection pieces for façade (profile groove: 23 ÷ 29,5 mm) in white galvanized zamak and extruded aluminium, 1 oversizing bushing (Ø 6-Ø 8 mm) in black nylon, preassembled grub screw in stainless steel.		20
1481.24/16	Extension part (profile groove: 16,5 ÷ 23 mm) for bi-directional handles in mill-finished aluminium, 1 grub screw M5x10 in stainless steel. To use with art. 1481.4/16.		100
1481.24/19	Extension part (profile groove: 23÷29.5 mm) for bi-directional handles in mill-finished aluminium, 1 grub screw M5x10 in stainless steel. To use with art. 1481.4/19.		100

Curtain wall accessories



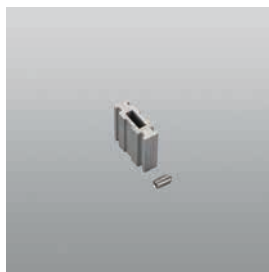
1481.4/16-1481.4/19



1481.24/16-1481.24/19



1481.40



1481.704/16
1481.704/19

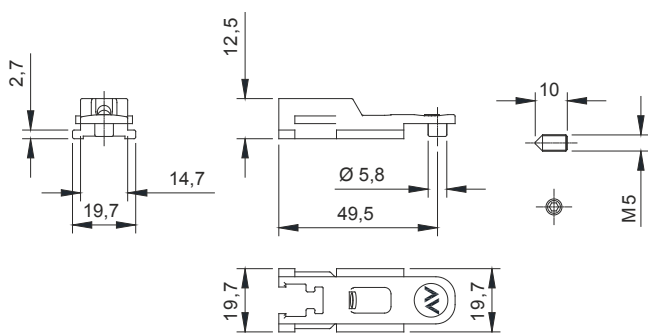


1481.704/300

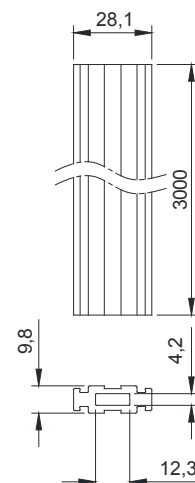
code	description	finishes	pcs.
1481.40	Kit of handle connection pieces for façade in white galvanized zamak and extruded aluminium, 2 grub screws M5x10 in stainless steel.		100
1481.704/16	Extension part (profile groove: 16,5 ÷ 23 mm) for bi-directional handles in mill-finished aluminium, 1 grub screw M5x10 in stainless steel. To use with art. 1481.4/16.		20
1481.704/19	Extension part (profile groove: 23÷29.5 mm) for bi-directional handles in mill-finished aluminium, 1 grub screw M5x10 in stainless steel. To use with art. 1481.4/19.		20
1481.704/300	Extension part of 3 meters for bi-directional handles in mill-finished aluminium. To use with art. 1481.40.		1

Curtain wall accessories

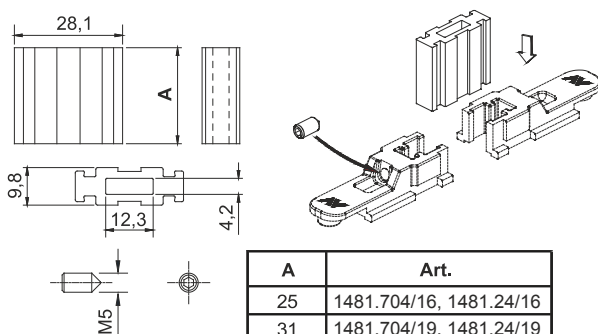
392



1481.40



1481.704/300



A	Art.
25	1481.704/16, 1481.24/16
31	1481.704/19, 1481.24/19

1481.704/16-1481.704/19

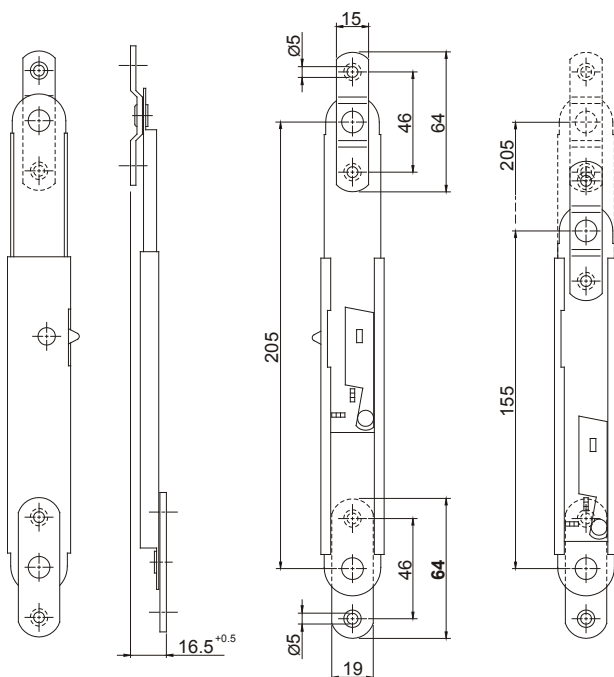


1307.8

code 1307.8	description Pair of adjustable two-position arms (LH+RH) for top hung casement opening out, with open position stop device, in stainless steel 316. Suitable for profiles with clearance of 16,5 mm.	finishes pcs. 5
-----------------------	----------------------------------------------------------------------------------------------------------------------------------------------------------------------------------------------------------------	---------------------------

Curtain wall accessories

393



1307.8

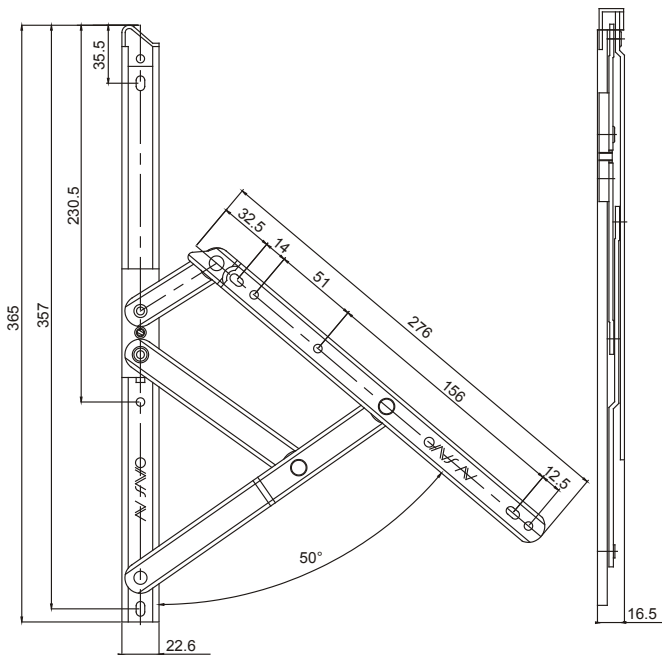


1330ST/14-1330ST/16

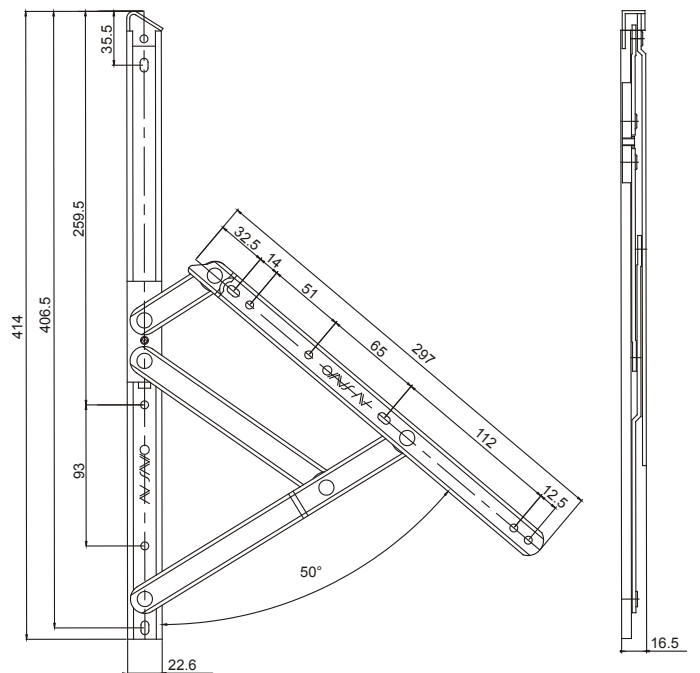
code	description	finishes	pcs.
1330ST/14	Couple of stay arms for top hung window, length of 14" (355,6 mm), in austenitic (not magnetic) AISI 304 stainless steel, adjustment frictioning grub screw, opening angle 50°. Weight capacity 48 Kg (105,82 lbs). Suitable to profiles with clearance >= 16.5 mm.		5
1330ST/16	Couple of stay arms for top hung window, length of 16" (406,40 mm), in austenitic (not magnetic) AISI 304 stainless steel, adjustment frictioning grub screw, opening angle 50°. Weight capacity 53 Kg (116,84 lbs). Suitable to profiles with clearance >= 16.5 mm.		5

Curtain wall accessories

394



1330ST/14



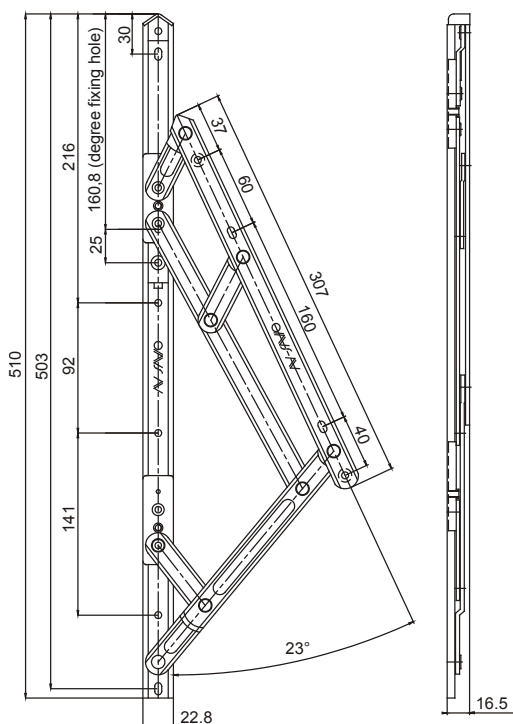
1330ST/16



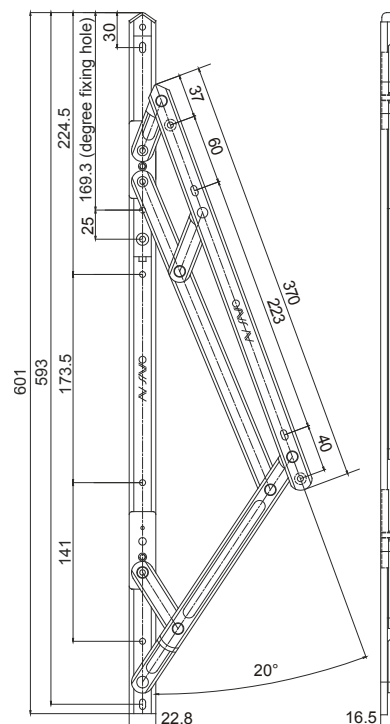
1330HD/20-1330HD/24

code	description	finishes	pcs.
1330HD/20	Couple of stay arms for top hung window, length of 20" (508 mm), in austenitic (not magnetic) AISI 304 stainless steel, non-handed, with opening restrictor device and adjustment frictioning grub screw, opening angle 20° or 25°. Weight capacity 115/108 Kg (253,53/238,09 lbs). Suitable to profiles with clearance >= 16.5 mm.		5
1330HD/24	Couple of stay arms for top hung window, length of 24" (609,6 mm), in austenitic (not magnetic) AISI 304 stainless steel, non-handed, with opening restrictor device and adjustment frictioning grub screw, opening angle 15° or 20°. Weight capacity 125/120 Kg (275,58/264,55 lbs). Suitable to profiles with clearance >= 16.5 mm.		5

Curtain wall accessories



1330HD/20



1330HD/24



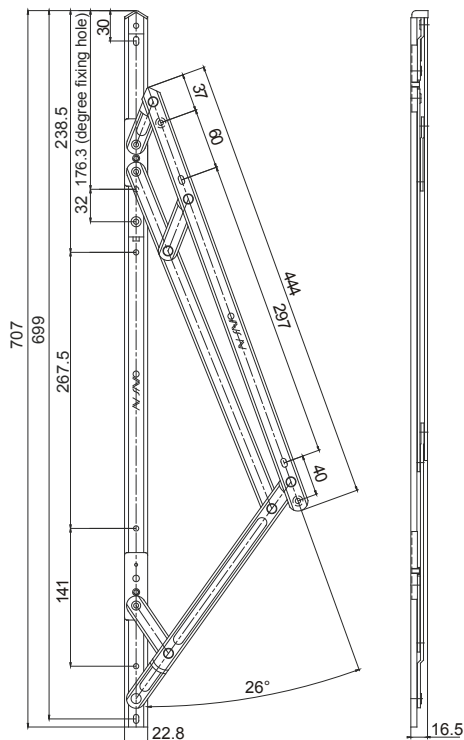
1330.801

1330HD/28

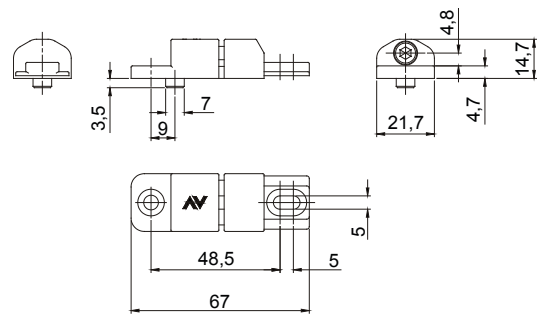
code	description	finishes	pcs.
1330HD/28	Couple of stay arms for top hung window, length of 28" (711,2 mm), in austenitic (not magnetic) AISI 304 stainless steel, non-handed, with opening restrictor device and adjustment frictioning grub screw, opening angle 15° or 20°. Weight capacity 135/130 Kg (297,62/286,60 lbs). Suitable to profiles with clearance >= 16.5 mm.		5
1330.801	Height adjustment device in white galvanized zamak.		10

Curtain wall accessories

396



1330HD/28



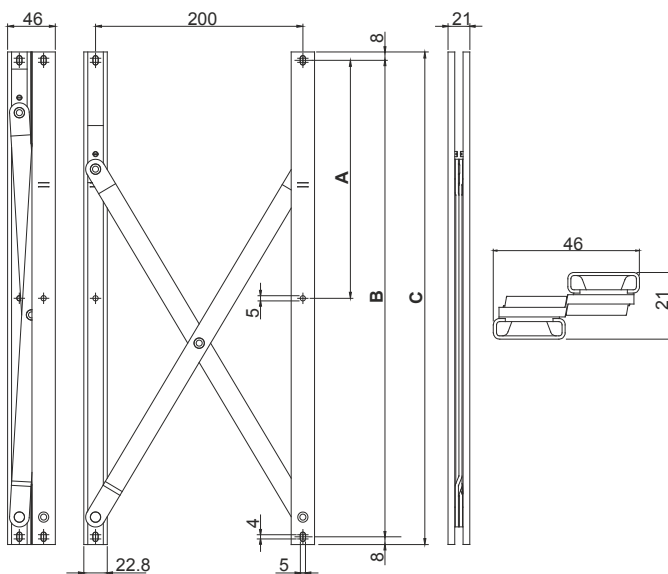
1330.801



1330PS/16-1330PS/18-1330PS/20

code	description	finishes	pcs.
1330PS/16	Couple of parallel opening arms, length of 16" (400 mm), in austenitic (not magnetic) AISI 304 stainless steel, adjustment frictioning grub screw, opening of 200 mm. Weight capacity 42 Kg. Suitable to profiles with clearance \geq 21 mm.		5
1330PS/18	Couple of parallel opening arms, length of 18" (475 mm), in austenitic (not magnetic) AISI 304 stainless steel, adjustment frictioning grub screw, opening of 200 mm. Weight capacity 50 Kg. Suitable to profiles with clearance \geq 21 mm.		5
1330PS/20	Couple of parallel opening arms, length of 20" (525 mm), in austenitic (not magnetic) AISI 304 stainless steel, adjustment frictioning grub screw, opening of 200 mm. Weight capacity 55 Kg. Suitable to profiles with clearance \geq 21 mm.		5

Curtain wall accessories



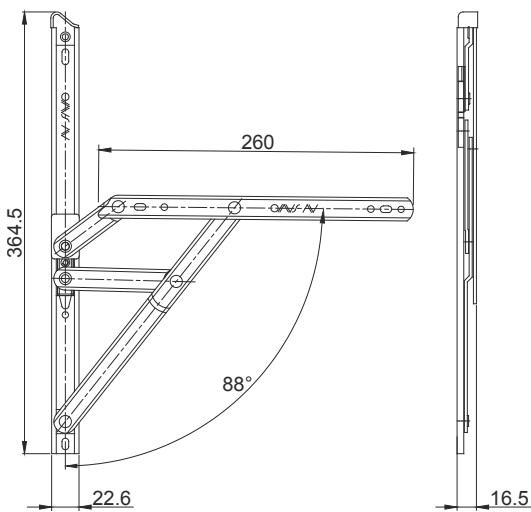
ART.	A	B	C	H max (mm)	L max (mm)	Weigh Capacity (Kg)
1330PS/16	192	384	400	800	1000	42
1330PS/18	229.5	459	475	1000	1200	50
1330PS/20	254.5	509	525	1200	1400	55



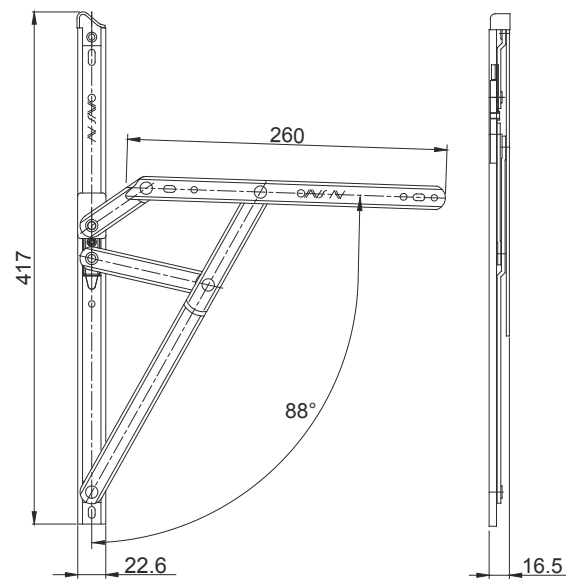
1330.1SH/14-1330.1SH/16

code	description	finishes	pcs.
1330.1SH/14	Couple of stay arms for side hung window, length of 14" (355,6 mm), in austenitic (not magnetic) AISI 304 stainless steel, adjustment frictioning grub screw, opening angle 88°. Weight capacity 43 Kg (94,80 lbs). Suitable to profiles with clearance ≥ 16.5 mm.		5
1330.1SH/16	Couple of stay arms for side hung window, length of 16" (406,40 mm), in austenitic (not magnetic) AISI 304 stainless steel, adjustment frictioning grub screw, opening angle 88°. Weight capacity 45 Kg (99,208 lbs). Suitable to profiles with clearance ≥ 16.5 mm.		5

Curtain wall accessories



1330.1SH/14



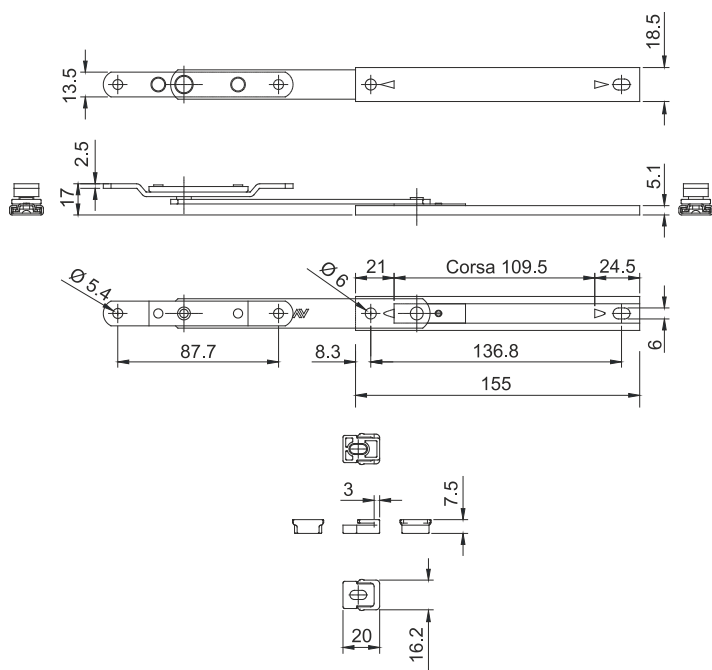
1330.1SH/16



1346.1/6

code	description	finishes	pcs.
1346.1/6	Frictioning opening limiter arm stay in stainless steel 304, 2 white galvanized zamak spacers and 1 release arm key in nickel plated zamak.		10

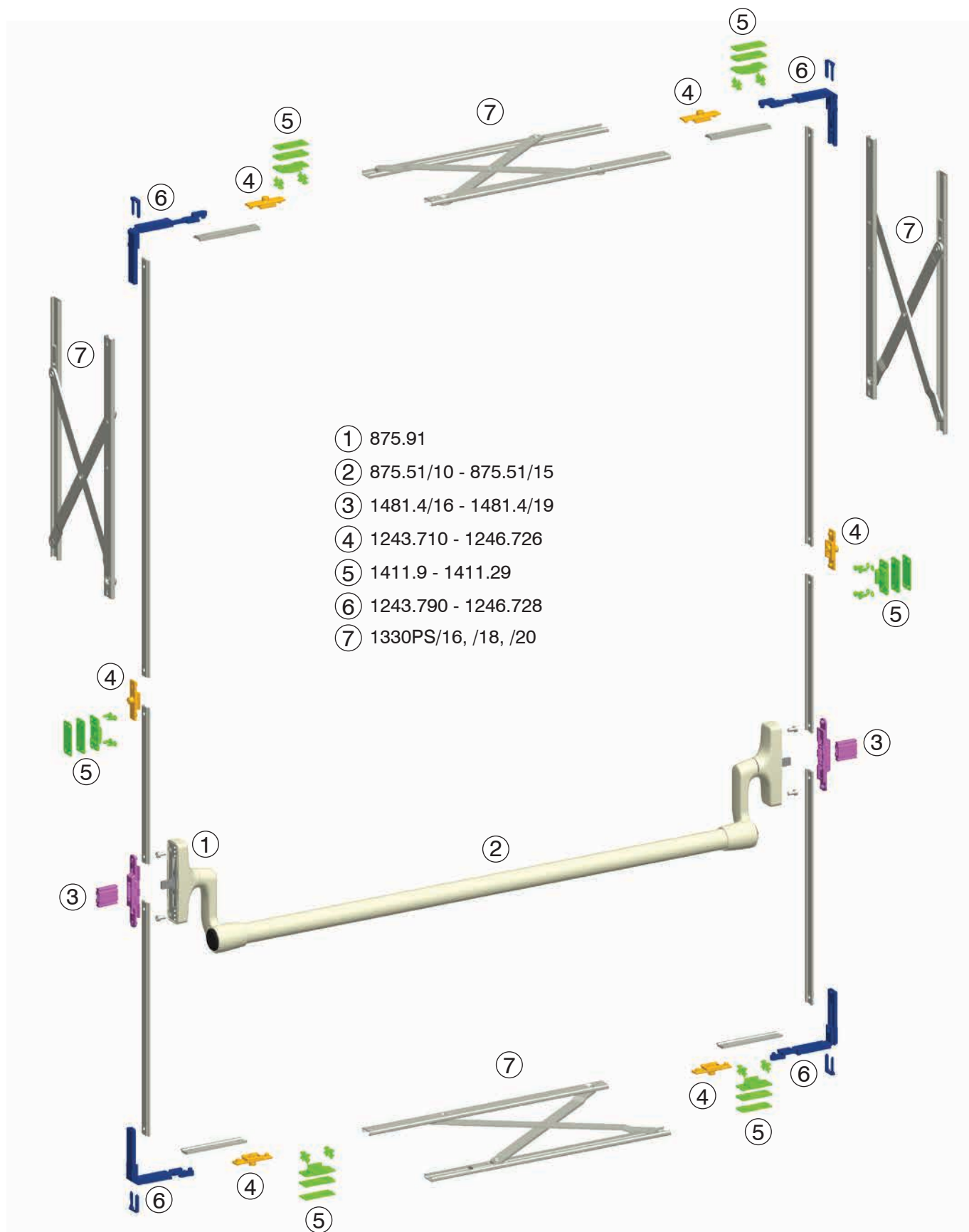
Curtain wall accessories



1346.1/6

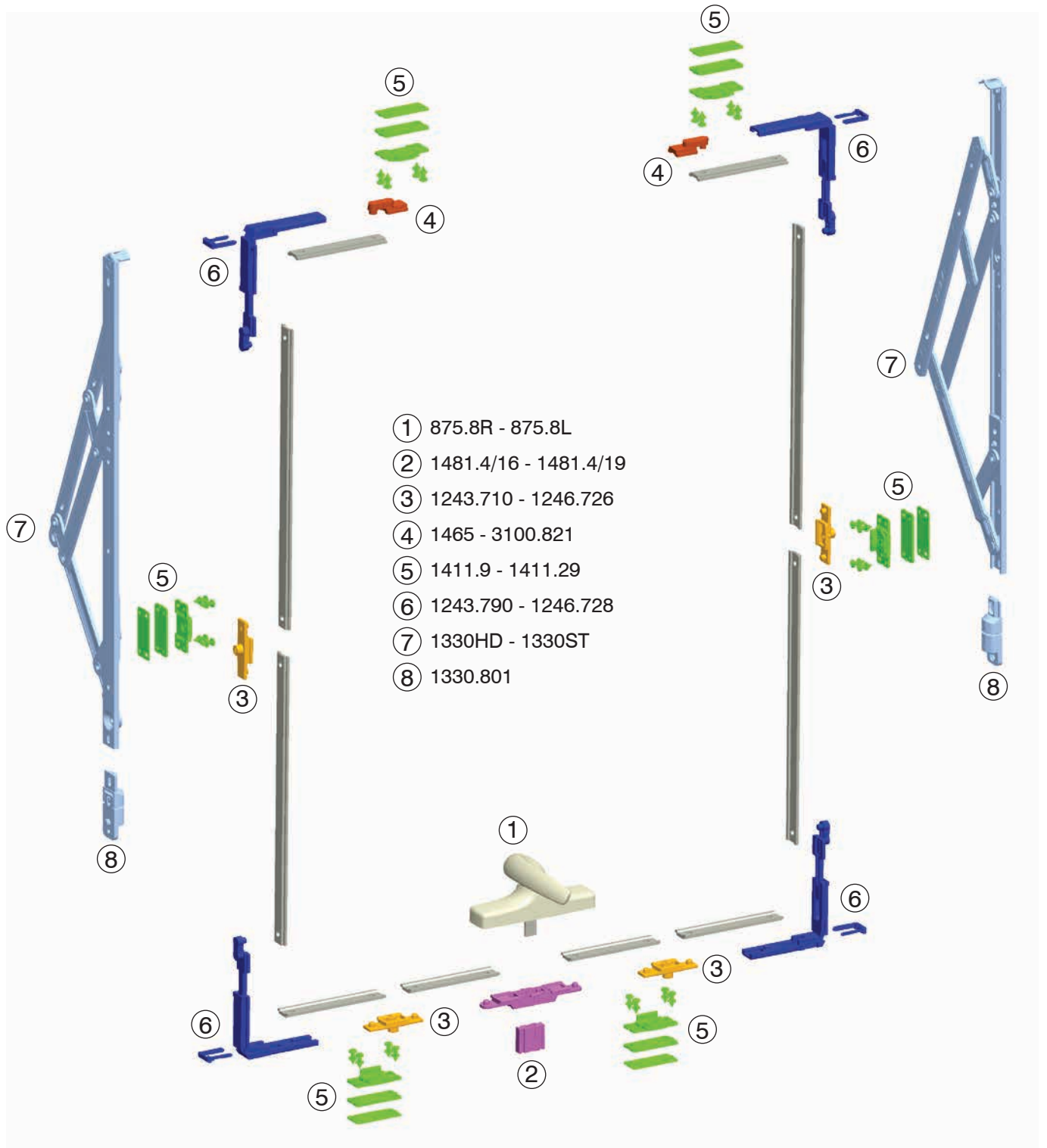
APPLICATION SCHEMES

Parallel opening with double handle art. 875.91 + 875.51/10, /15



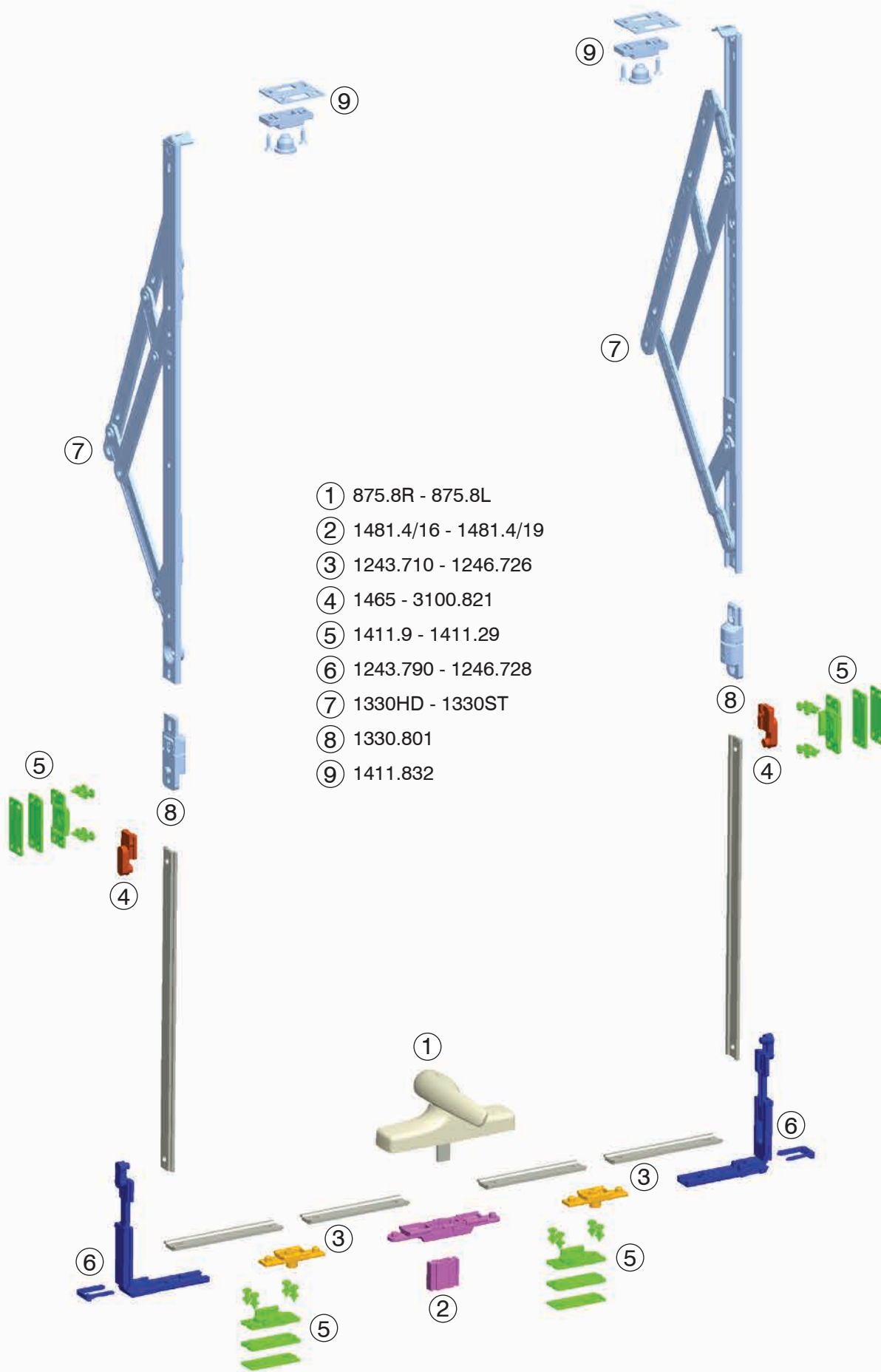
APPLICATION SCHEMES

Top hung opening with handle art. 875.8R - 875.8L



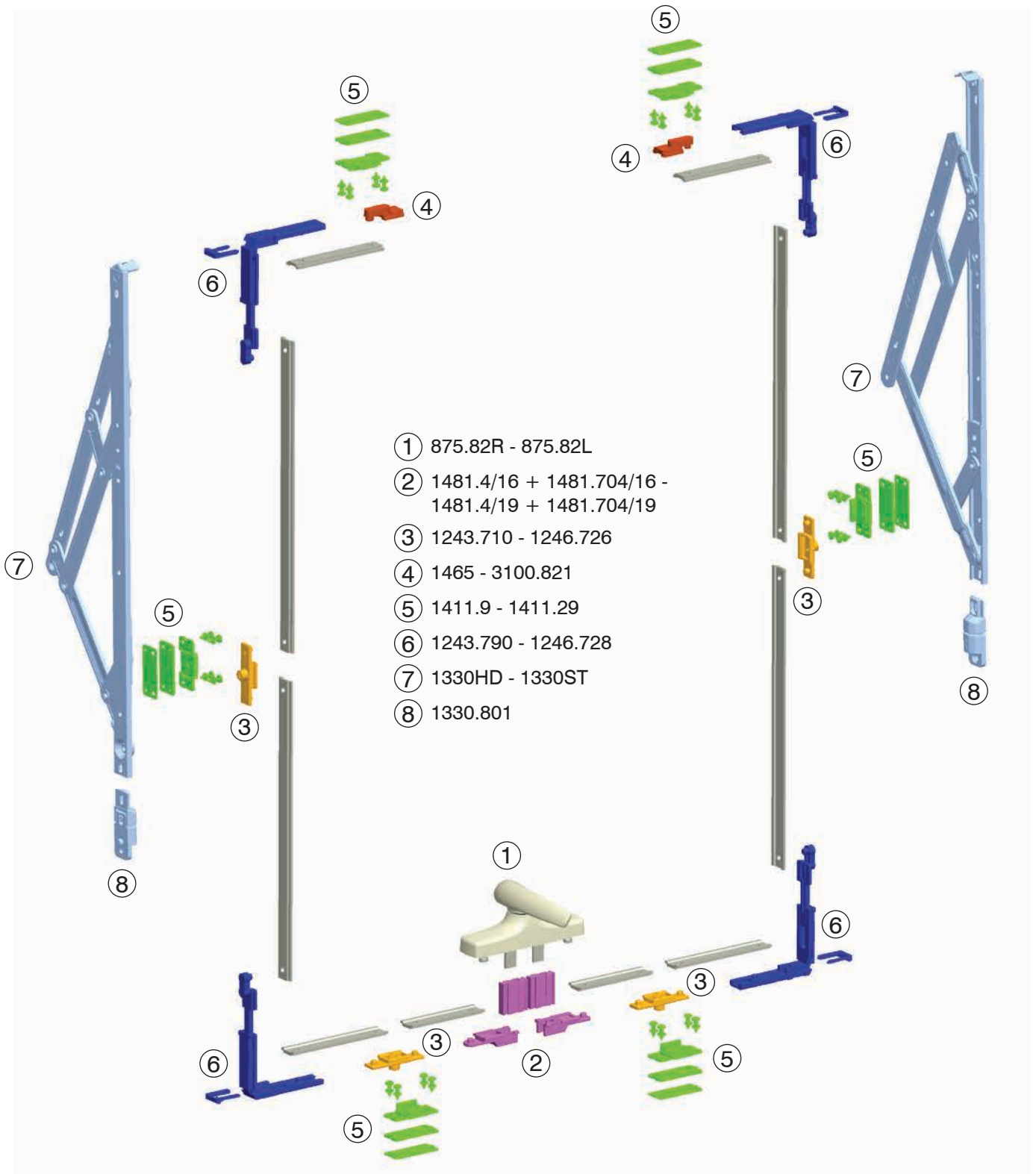
APPLICATION SCHEMES

Top hung opening with handle art. 875.8R - 875.8L



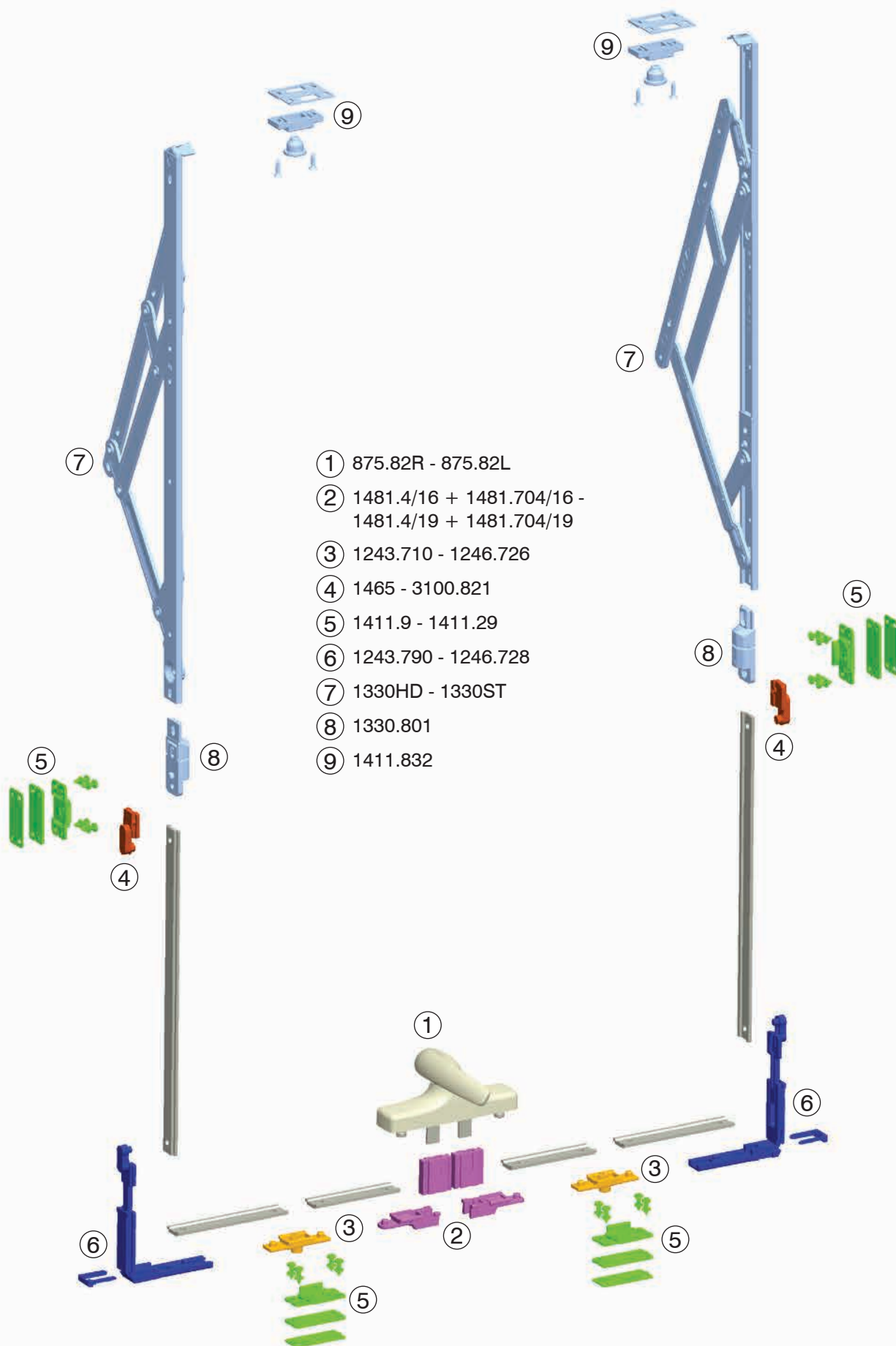
APPLICATION SCHEMES

Top hung opening with handle art. 875.82R - 875.82L



APPLICATION SCHEMES

Top hung opening with handle art. 875.82R - 875.82L



APPLICATION SCHEMES

Side hung opening with snap latches art. 1609 - 1609.1

- ① 1609 - 1609.1
- ② 1330.1SH
- ③ 1243.710 - 1246.726
- ④ 1465 - 3100.821
- ⑤ 1411.9 - 1411.29
- ⑥ 1243.790 - 1246.728

