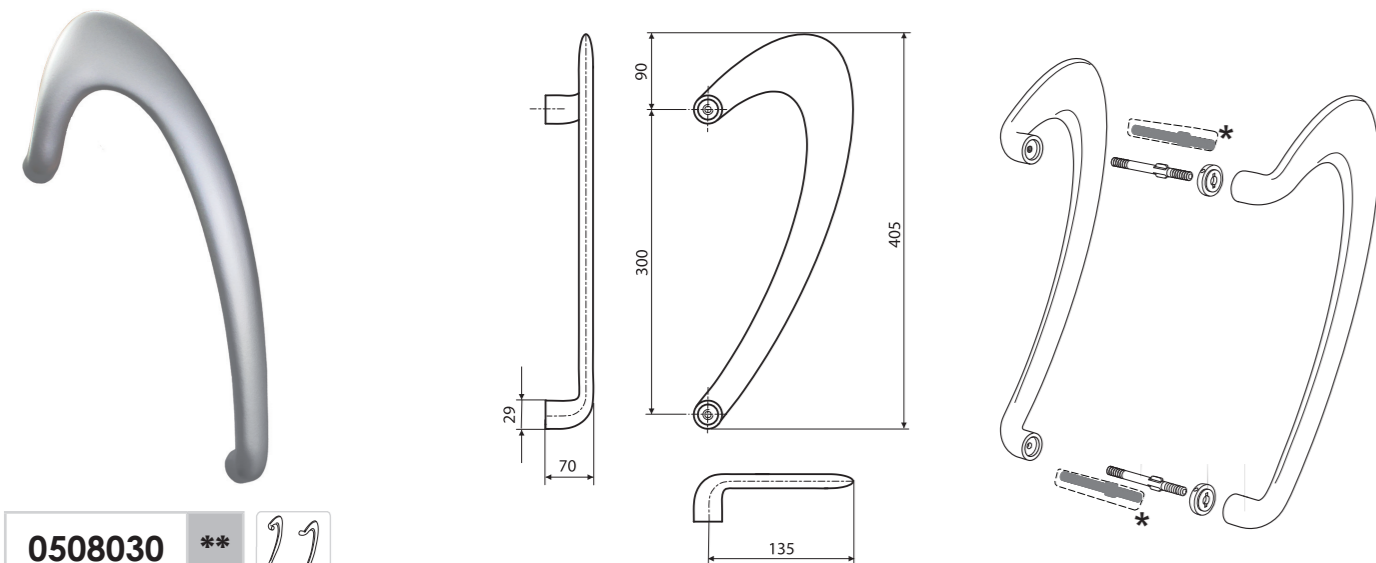


NEW

NAOS DOOR PULL

The Naos door pull is presented as a completely new design, which is more modern and ergonomic. It is ideal for entrance doors to all types of buildings and commercial establishments. The assembly kit is included.



0508030	**			20
0508031	**			25
0508032	**			25



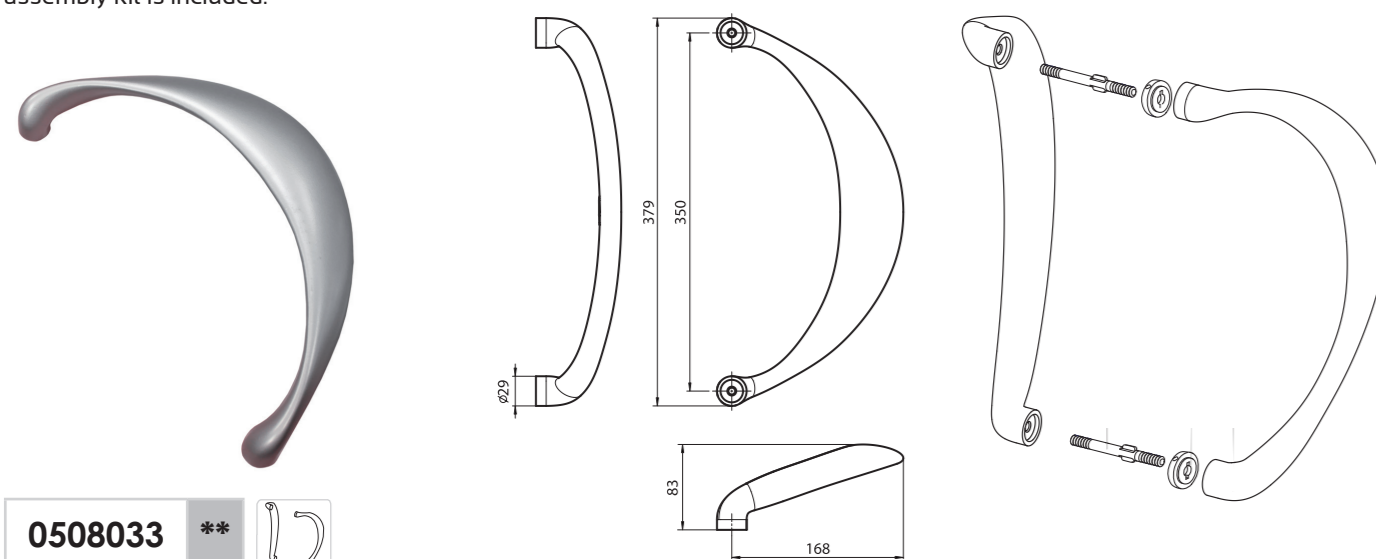
*Includes screws for left hand assembly (zinc black finish).

(I) Assembly kit for one door pull. Included in references (0508031 or 0508032).

NEW

FÉNIX DOOR PULL

An ideal door pull for entrance doors to all types of buildings and commercial establishments. The Fénix door pull is in keeping with the style and symmetry of the window door pulls and the balcony slider. The assembly kit is included.



0508033	**			20
0508034	**			25



* The assembly kit is for one door pull. Included in reference 0508034.

STAC CENTRAL España

Pol. industrial Picusa s/n
15900 Padrón (A Coruña)
T (+34) 981 817 036
F (+34) 981 817 037
comercial@stac.es

STAC Polska

Ul. Banacha 11
41-219 Sosnowiec
T/F (+48) 322 630 740
polska2@stac.es (North)
polska1@stac.es (South)
export@stac.es

STAC Maroc

Route nationale 1 Km, 92
Comune Rurale Laouamra
Larache
T (+212) 05 39 520 222
F (+212) 05 39 520 223
maroc@stac.es

www.stac.es

NAOS & FÉNIX DOOR PULL HANDLES



JANUARY 2015 Edition MKT-0073EN

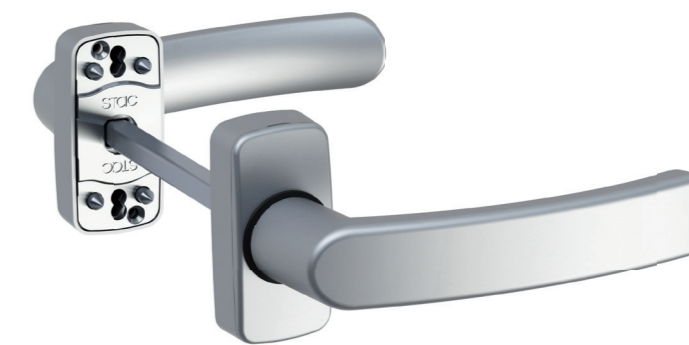
STAC

POLARIS & GÉMINIS DOOR HANDLES ARIES HINGE



NEW

POLARIS HANDLE

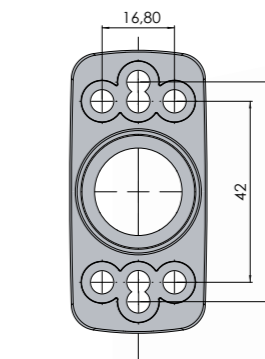


05182	**			20
05183	**			25

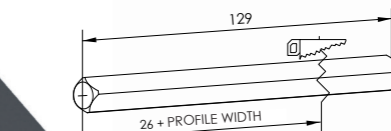
**



DIMENSIONS FOR
PROFILE FABRICATION



SPINDLE DIMENSION



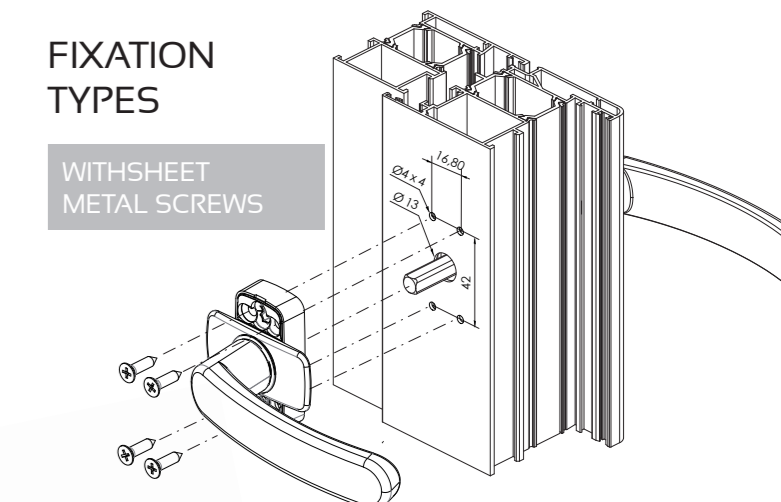
Simple and rapid installation. Multiple possibilities of fixation:

- Withsheet metal screws direct to profile.
- Interior/Exterior security screw across the lock.
- Possibility of fixation with blind rivet nuts.

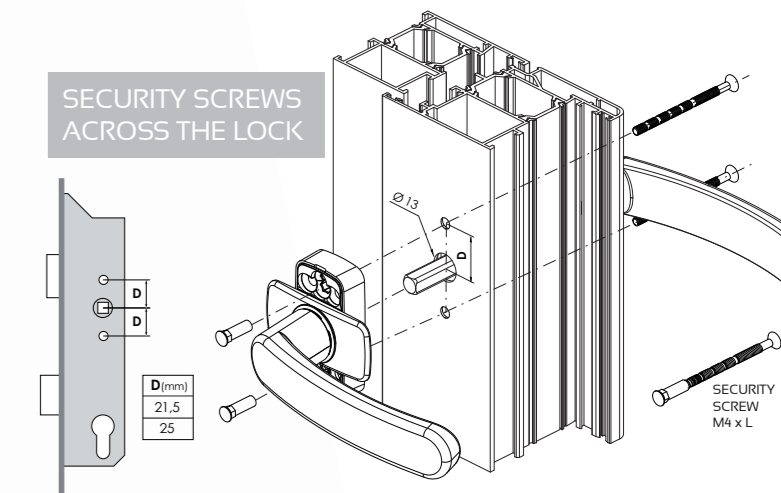
New design focused on increasing the hardness due to the new market requirements of the of the broadest profiles with heavier glasses.

FIXATION TYPES

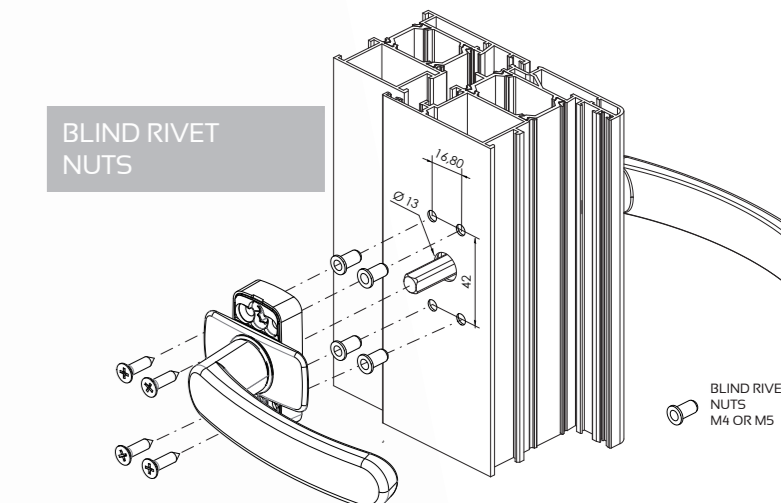
WITHSHEET
METAL SCREWS



SECURITY SCREWS
ACROSS THE LOCK



BLIND RIVET
NUTS



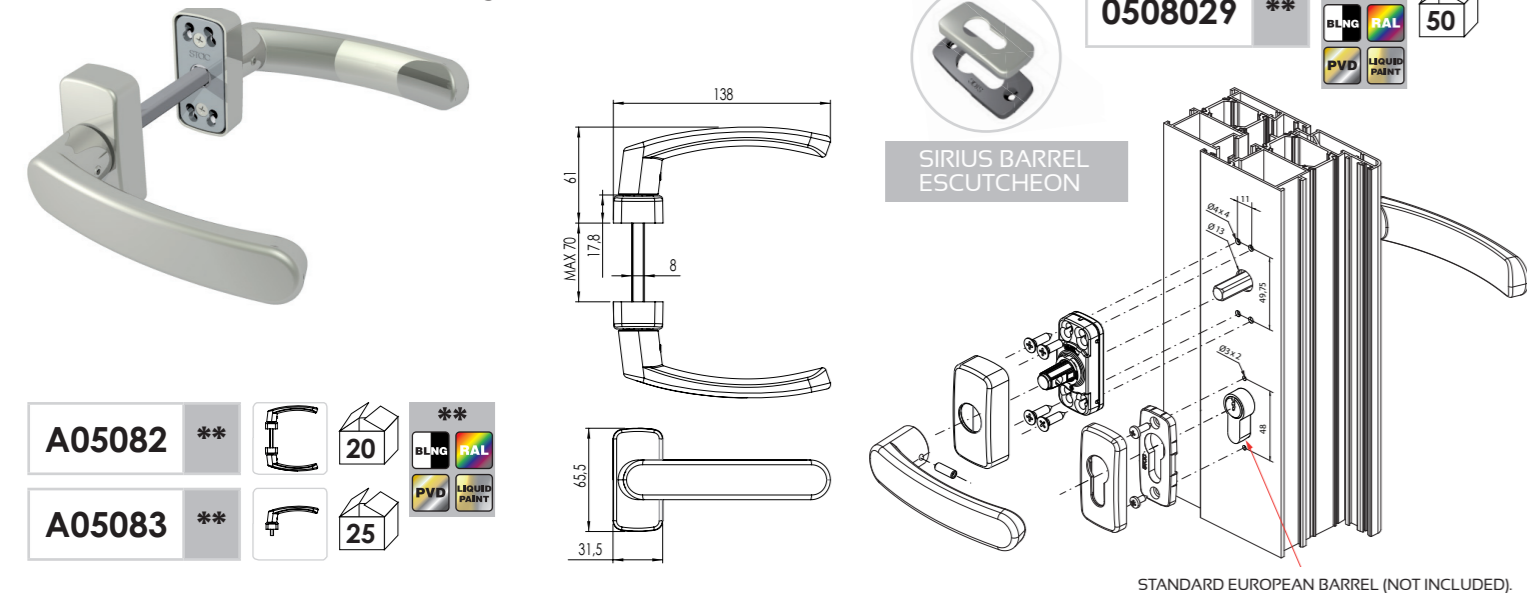
DOOR ACCESSORIES

HINGES · HANDLES · PULL HANDLES

Sistemas Técnicos del Accesorio y Componentes, S. L.

SIRIUS HANDLE

A return handle for doors in the same design line of the cremone handle Sirius.

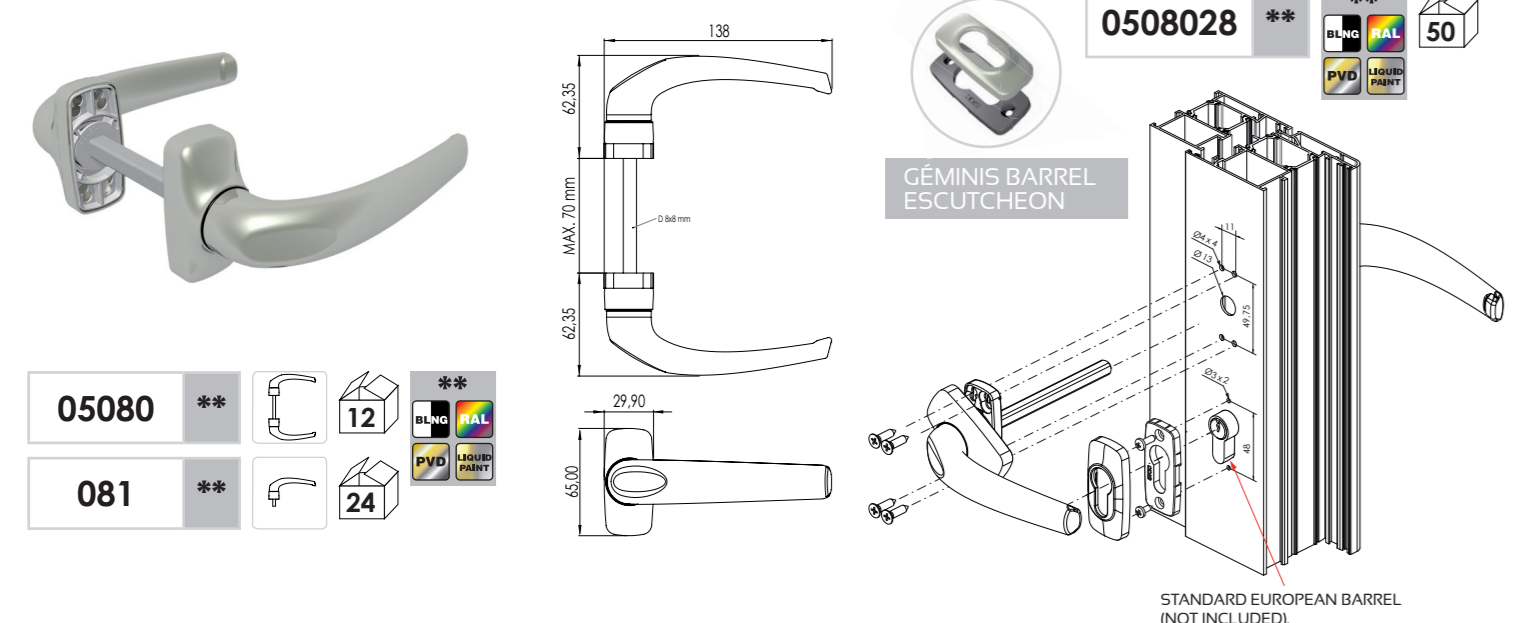


A05082	**						20	50
A05083	**						25	50

STANDARD EUROPEAN BARREL (NOT INCLUDED).

GÉMINIS HANDLE

A return handle for doors.

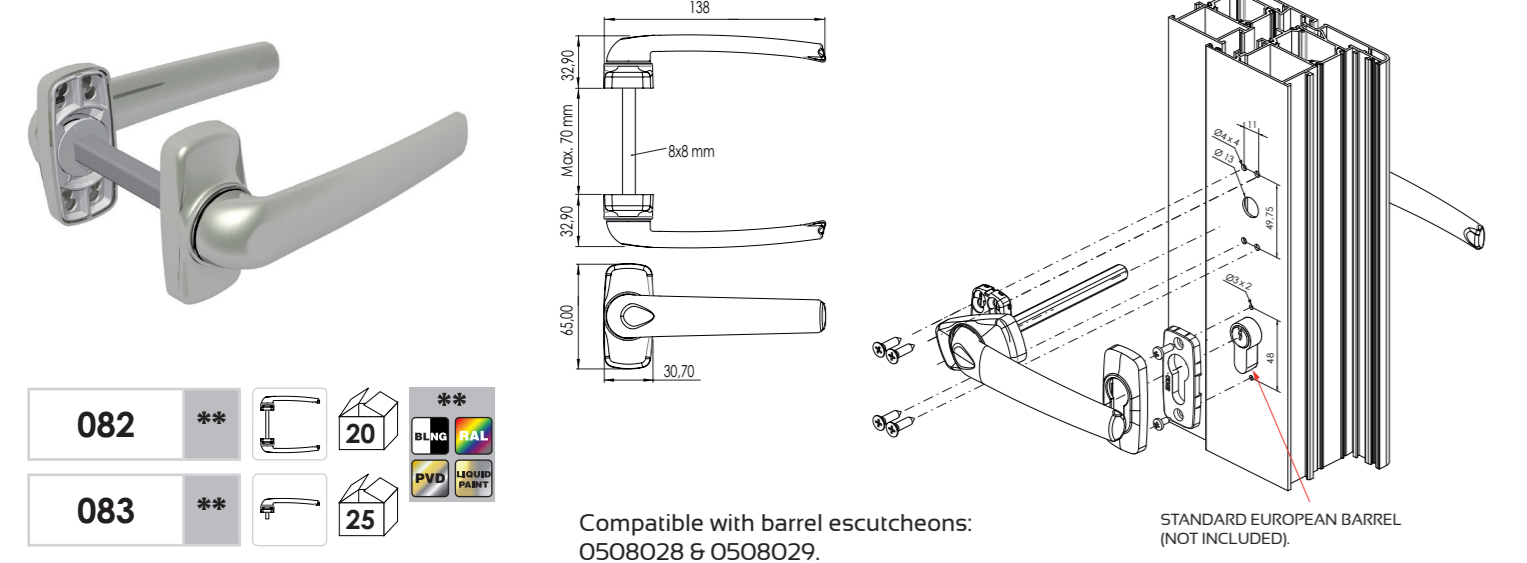


05080	**						12	50
081	**						24	50

STANDARD EUROPEAN BARREL (NOT INCLUDED).

LIBRA HANDLE

A narrow return handle for doors.



082	**						20	50
083	**						25	50

Compatible with barrel escutcheons: 0508028 & 0508029.

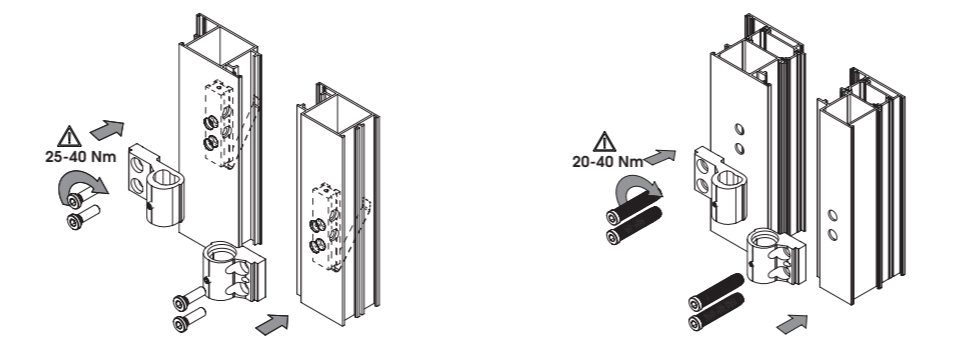
STANDARD EUROPEAN BARREL (NOT INCLUDED).

ARIES HINGES

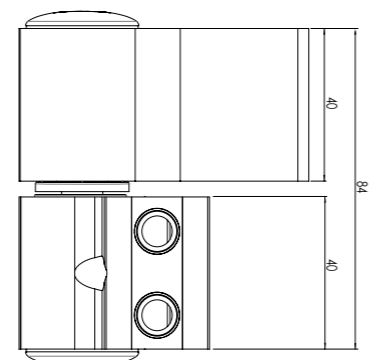
A universal adjustable door hinge.
Maximum load: 160 kg. See technical file.



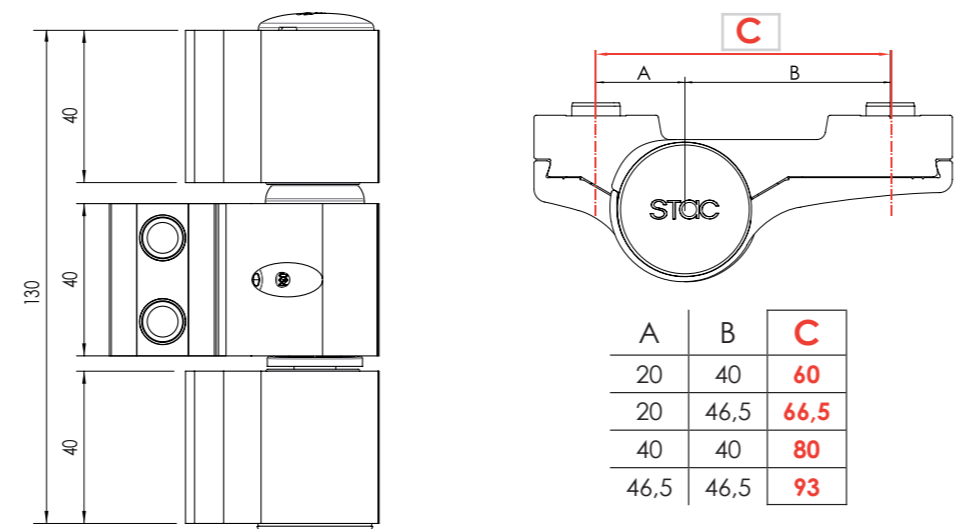
ARIES DOUBLE FRICTION HINGE



TRADITIONAL FIXING		RAPID FIXING	
010C2	C	010T2	C
60	**	60	**
66	**	66	**
80	**	80	**
93	**	93	**



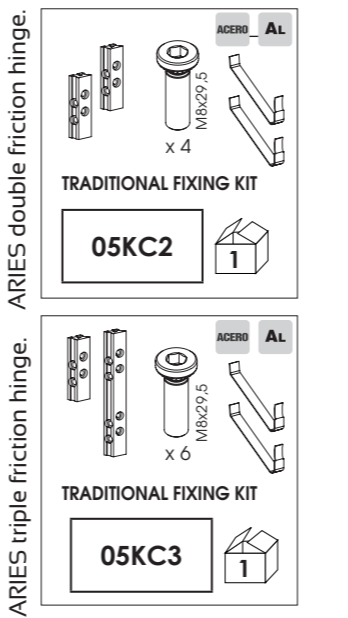
ARIES TRIPLE FRICTION HINGE



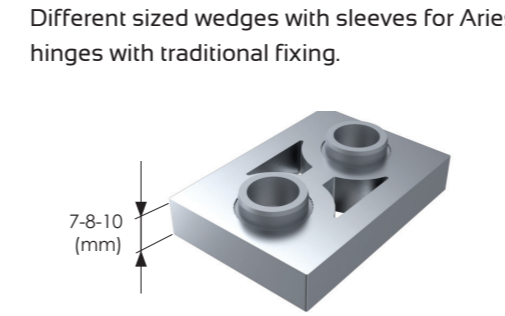
TRADITIONAL FIXING		RAPID FIXING	
010C3	C	010T3	C
60	**	60	**
66	**	66	**
80	**	80	**
93	**	93	**

ARIES HINGE ACCESSORIES

TRADITIONAL FIXING



TRADITIONAL FIXING WEDGES



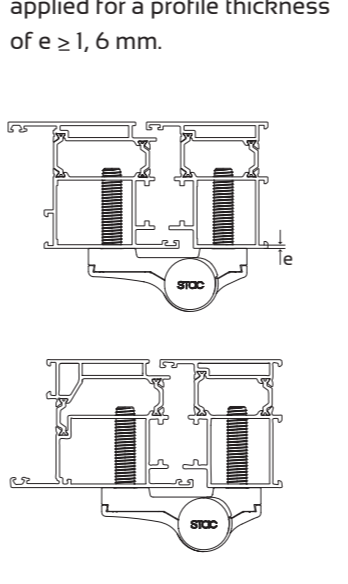
010CS	07	**						100
	08	**						100
	10	**						100

TRADITIONAL FIXING SCREWS

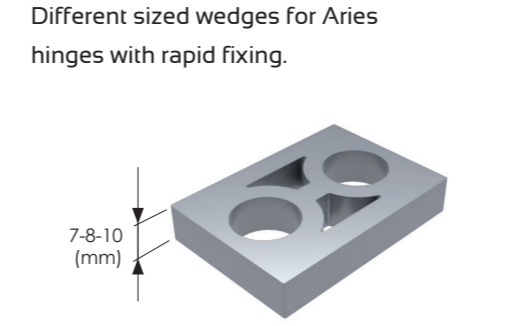


0505031	M8x29.5						100
0505032	M8x39.5						100

TRADITIONAL FIXING KIT



RAPID FIX WEDGES



010TS	07	**						100
	08	**						100
	10	**						100

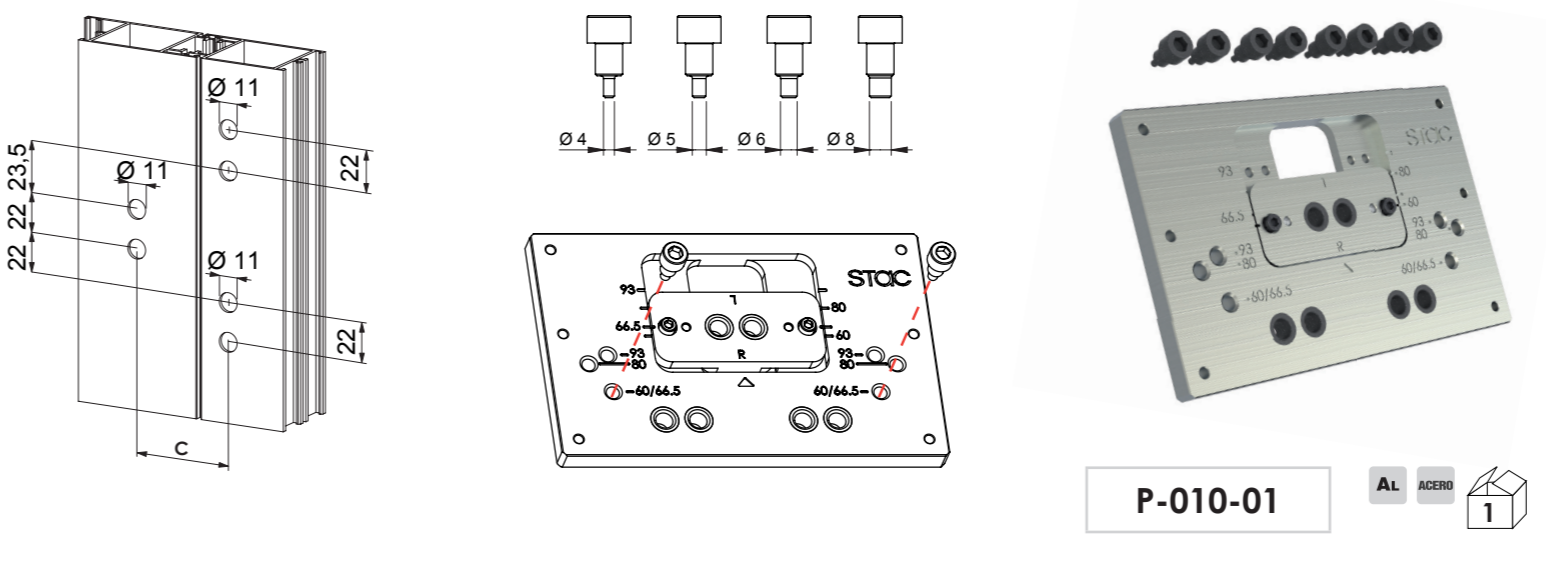
RAPID FIX SCREWS



0505041	Ø12x50						100
0505042	Ø12x60						100

SCREW TEMPLATE KIT

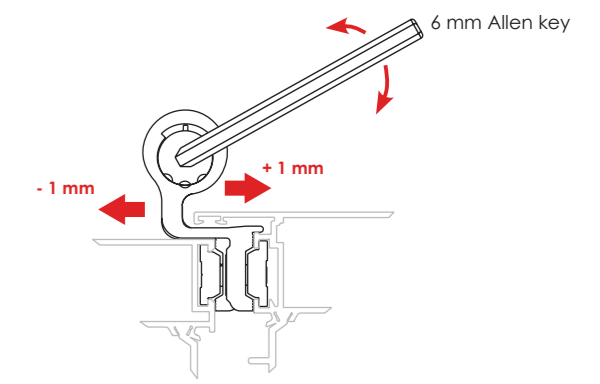
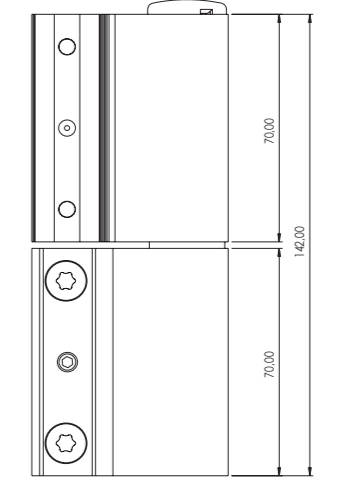
Adjustable screw template that facilitates and optimises screwing to the profile.



P-010-01						1
-----------------	--	--	--	--	--	---

TAURUS HINGES

An adjustable hinge for Euro-Groove doors.
Maximum loading: 100 kg. See technical file.

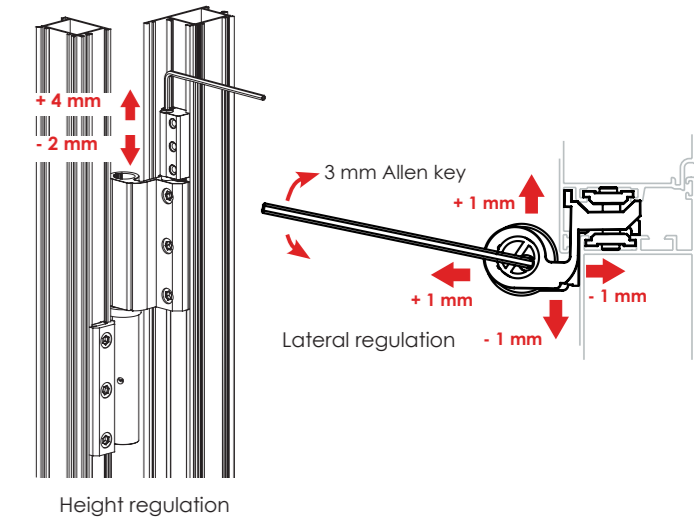
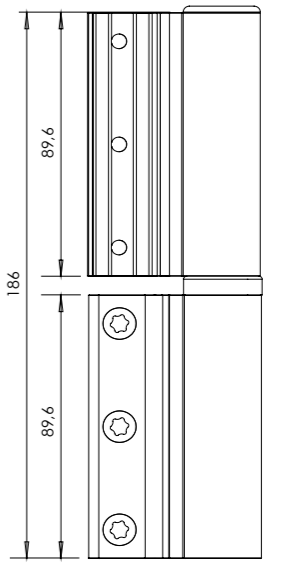


A NEW ADJUSTABLE COVER AND NEW ACETAL SLEEVE WITH IMPROVED CLIP

A011	D	**						12
	I	**						12

TAURUS CLX HINGES

An adjustable hinge for Euro-Groove doors, especially designed for large and heavy doors.
Maximum loading: 160 kg. See technical file.



TAURUS CLX HINGE SLEEVES

A011	D	**						-160
	I	**						-160

A011F	**						-160	2
--------------	----	--	--	--	--	--	------	---