

Panic-device system

451



- BERNINI
- JUVARRA
- BRUNELLESCHI
- CELLINI
- CIRCEO

Page 452-469

Page 473

Page 489

Page 496

Page 502



6000.99/120

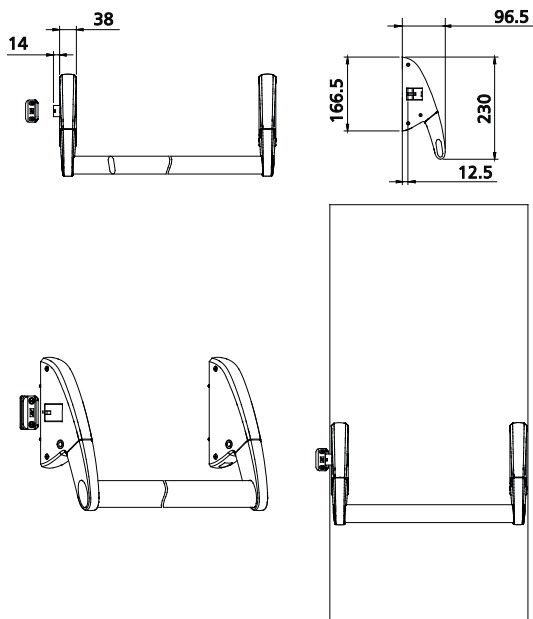


6000.1/1200

code	description	finishes	pcs.
6000.1/1200	(patented) Horizontal non-handed panic bar with 1 locking point in zamak and galvanised steel. Complete with: latch bolt in nickel plated zamak, counterplates in galvanised steel, 1200 bar and 1 keeper in painted steel, 1 keeper cup in inylon, 8 countersunk head screws Ø 4.2x13 in black galvanised steel, 2 cap screws Ø 4.2x19 in black galvanised steel, 16 countersunk head screws M4x5 in black galvanised steel. For doors with a clear width of 800 to 1240 mm and a max. height of 2450 mm.	3001, 6029, GREY	1
6000.99/120	Like 6000.1/1200 but with supports and bar in the same finish.	1013, 9005, 9010, GREY, SILV	1

Panic-device system

452 Bernini



6000.1/1200-6000.99/120



6000.98/120



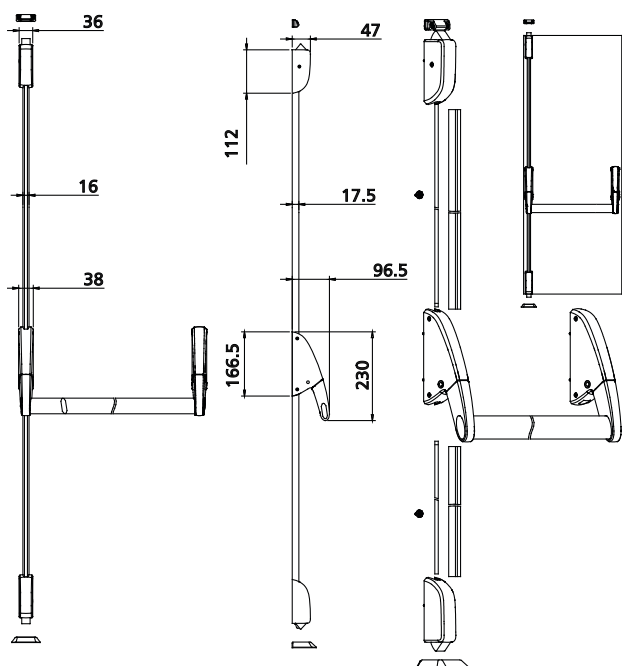
6000.2/1200



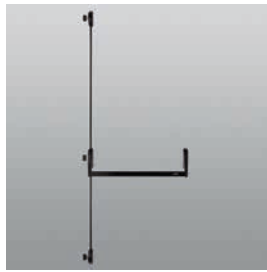
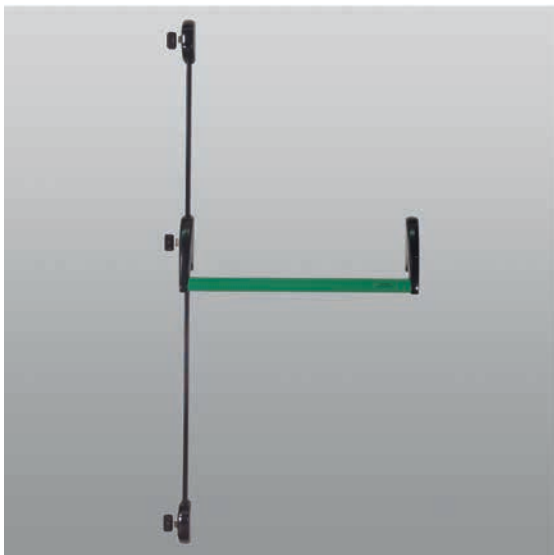
code	description	finishes	pcs.
6000.2/1200	(patented) Vertical rod non-handed panic bar with 2 locking points in zamak and galvanised steel. Complete with: counterplates in galvanised steel, 1200 bar and 1 keeper in painted steel, 1 floor-mounted keeper in stainless steel, 1 black nylon insert, 1 top rod + 1 bottom rod in aluminium, 1 rod cover in painted aluminium 1395 mm, 1 rod cover in painted aluminium 1037 mm, 2 adjustable plugs in black galvanised zamak, 6 countersunk head screws Ø 3.9x13, 8 countersunk head screws Ø 4.2x13, 2 cap screws Ø 4.2x19, 4 cap screws Ø 4.2x13 and 22 countersunk head screws M4x5 in black galvanised steel. For doors with a clear width of 800 to 1240 mm and a max. height of 2450 mm.	3001, 6029, GREY	1
6000.98/120	Like 6000.2/1200 but with supports, covers and bar in the same finish.	1013, 9005, 9010, GREY, SILV	1

Panic-device system

Bernini 453



6000.2/1200-6000.98/120



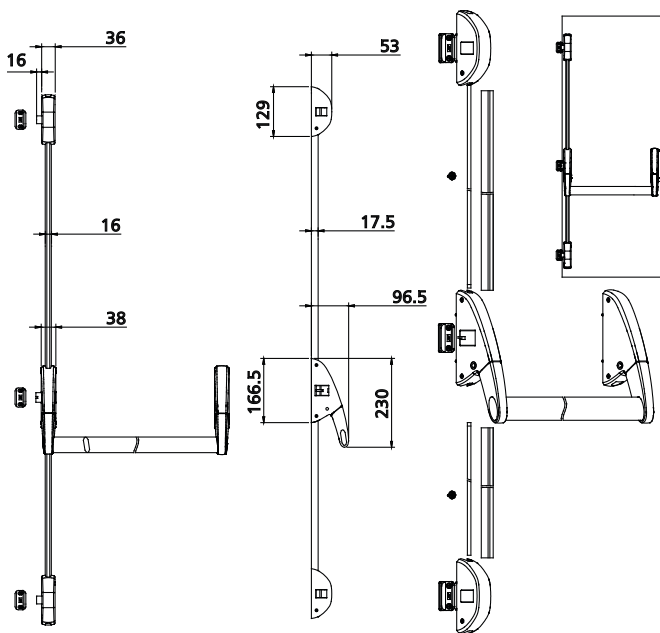
6000.97/120



6000.3/1200

code	description	finishes	pcs.
6000.3/1200	(patented) Vertical rod non-handed panic bar with 3 locking points in zamak and galvanized steel. Complete with: latch bolt in nickel plated zamak, counterplates in white galvanized steel, 1200 bar and 3 keepers in painted steel, 3 keeper cups in nylon, 1 top rod + 1 bottom rod in aluminium, 1 1395 mm rod cover in painted aluminium, 1 1037 mm rod cover in painted aluminium, 2 adjustable plugs in black galvanized zamak, 10 countersunk head screws Ø 3.9x13 in white galvanized steel, 8 countersunk head screws Ø 4.2x13 in black galvanized steel, 6 cap screws Ø 4.2x19 in black galvanized steel, 28 countersunk head screws Ø M4x5 in black galvanized steel. For doors with a clear width of 800 to 1240 mm and a max. height of 2450 mm.	3001, 6029, GREY	1
6000.97/120	Like 6000.3/1200 but with supports, covers and bar in the same finish.	1013, 8019, 9005, 9010, GREY, SILV	1

Panic-device system



6000.3/1200-6000.97/120



6000.702



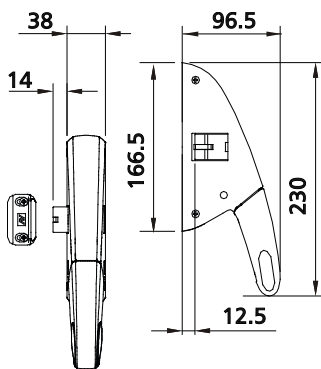
6000.701



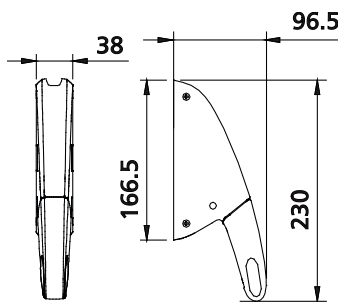
code	description	finishes	pcs.
6000.701	(patented) Kit with horizontal non-handed supports, one locking point in painted zamak and galvanised steel. Complete with: latch bolt in nickel plated zamak, counterplates in galvanised steel, 1 keeper in painted steel, 1 keeper cup in inylon, right and left nylon bar caps, 8 countersunk head screws Ø 4.2x13 in galvanised steel, 2 cap screws Ø 4.2x19 in galvanised steel, 16 countersunk head screws M4x5 in black galvanised steel (9010, GREY and SILV: 8 countersunk head screws M4x5 in galvanised steel + 8 countersunk head screws M4x6 in stainless steel).	9005, 9010, GREY, SILV	1
6000.702	(patented) Kit with non-handed vertical supports, two locking points in painted zamak and galvanised steel. Complete with: galvanised steel counterplates, right and left nylon bar caps, 8 countersunk head screws Ø 4.2x13 in galvanised steel, 16 countersunk head screws M4x5 in black galvanised steel (9010, GREY and SILV: 8 countersunk head screws M4x5 in galvanised steel + 8 countersunk head screws M4x6 in stainless steel).	9005, 9010, GREY, SILV	1

Panic-device system

Bernini 455



6000.701



6000.702



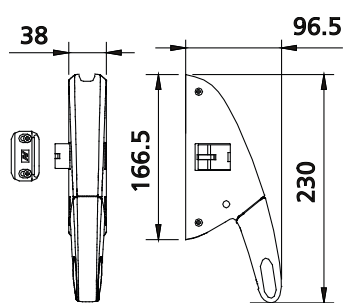
6000.703

code	description	finishes	pcs.
6000.703	(patented) Kit with non-handed supports, three locking points in painted zamak and galvanised steel. Complete with: latch bolt in nickel plated zamak, counterplates in galvanised steel, 1 keeper in painted steel, 1 keeper cup in inylon, right and left nylon bar caps, 8 countersunk head screws Ø 4.2x13 in galvanised steel, 2 cap screws Ø 4.2x19 in galvanised steel, 16 countersunk head screws M4x5 in black galvanised steel (9010, GREY and SILV: 8 countersunk head screws M4x5 in galvanised steel + 8 countersunk head screws M4x6 in stainless steel).	7016, 9005, 9010, GREY, SILV	1

Panic-device system

456

Bernini



6000.703



6000.B/860-6000.B/1200-6000.B/1500

code	description	finishes	pcs.
6000.B/860	Horizontal 860 mm bar in painted or stainless steel. For doors with leaf up to 900 mm.	3001, 6029, 9005, GREY, S	1
6000.B/1200	Like 6000.B/860 but of 1200 mm and for doors with leaf up to 1240 mm.	3001, 6029, 7016, 9005, 9010, GREY, S, SILV	1
6000.B/1500	Like 6000.B/860 but of 1500 mm and for doors with leaf up to 1540 mm.	3001, 6029, 9005, 9010, GREY, S, SILV	1

Panic-device system

Bernini 457



6000.721



6000.720

code	description	finishes	pcs.
6000.720	Standard vertical rods: 1 upper rod in aluminium + 1 lower rod in aluminium + 1 rod cover 1037 mm in painted aluminium + 1 rod cover 1395 mm in painted aluminium. For doors up to 2450 mm high.	1013, 7016, 9005, 9010, GREY, SILV	1
6000.721	Vertical rods: 1 upper rod in aluminium + 1 lower rod in aluminium + 1 rod cover 1037 mm in painted aluminium + 1 rod cover 2045 mm in painted aluminium + 1 adjustable plug in galvanised zamak + 1 countersunk head screws Ø 3.9x13 in galvanised steel. For doors from 2450 mm to 3100 mm high.	1013, 9005, 9010, GREY, SILV, XL, XSD	1

Panic-device system



6000.730

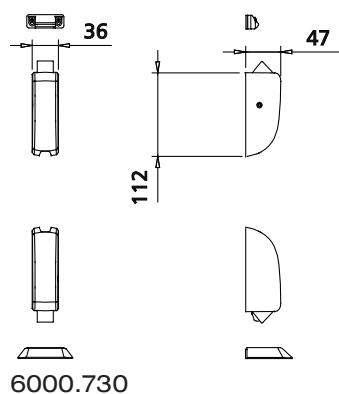
code
6000.730

description

(patented) Kit with top / bottom latch bolts in painted zamak and galvanised steel, nickel plated latch bolt. Including: fastening counterplates in galvanised steel, 1 floor-mounted keeper in stainless steel + 1 black nylon insert, 2 adjustable plugs in galvanised zamak, 1 keeper in painted steel, 6 countersunk head screws \varnothing 3.9x13, 4 cap screws \varnothing 4.2x13, 2 cap screws \varnothing 4.2x19, 4 countersunk head screws M4x5 in black galvanised steel (1013, 9010, GREY, SILV: 4 countersunk head screws M4x5 in galvanised steel + 2 countersunk head screws M4x6 in stainless steel).

finishes	pcs.
1013, 9005, 9010, GREY, PVD X, SILV	1

Panic-device system





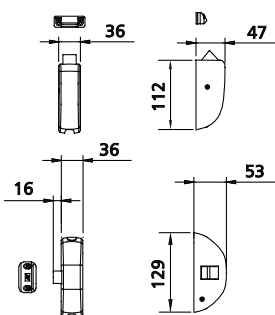
6000.735



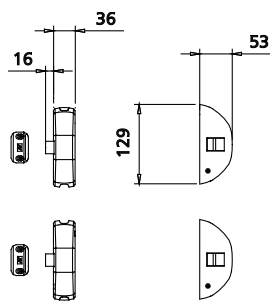
6000.740

code	description	finishes	pcs.
6000.735	(patented) Kit with top/side latch bolts in painted zamak and galvanised steel, nickel plated latch bolt. Including: fastening counterplates in galvanised steel, 2 adjustable plugs in galvanised zamak, 2 keepers in painted steel, 2 keeper cups in nylon, 8 countersunk head screws Ø 3.9x13, 2 cap screws Ø 4.2x13, 4 cap screws Ø 4.2x19, 9 countersunk head screws M4x5 in black galvanised steel (9010, GREY and SILV: 6 countersunk head screws M4x5 in galvanised steel + 3 countersunk head screws M4x6 in stainless steel).	9005, 9010, GREY, SILV	1
6000.740	(patented) Kit with side latch bolts in painted zamak and galvanised steel, nickel plated latch bolt. Including: fastening counterplates in galvanised steel, 2 keepers in painted steel, 2 keeper cups in nylon, 2 adjustable through-guides in galvanised zamak, 10 countersunk head screws Ø 3.9x13, 4 cap screws Ø 4.2x19, 12 countersunk head screws M4x5 in black galvanised steel (1013, 9010, GREY, SILV: 8 countersunk head screws M4x5 in galvanised steel + 4 countersunk head screws M4x6 in stainless steel).	1013, 7016, 9005, 9010, GREY, PVD X, SILV	1

Panic-device system



6000.735



6000.740



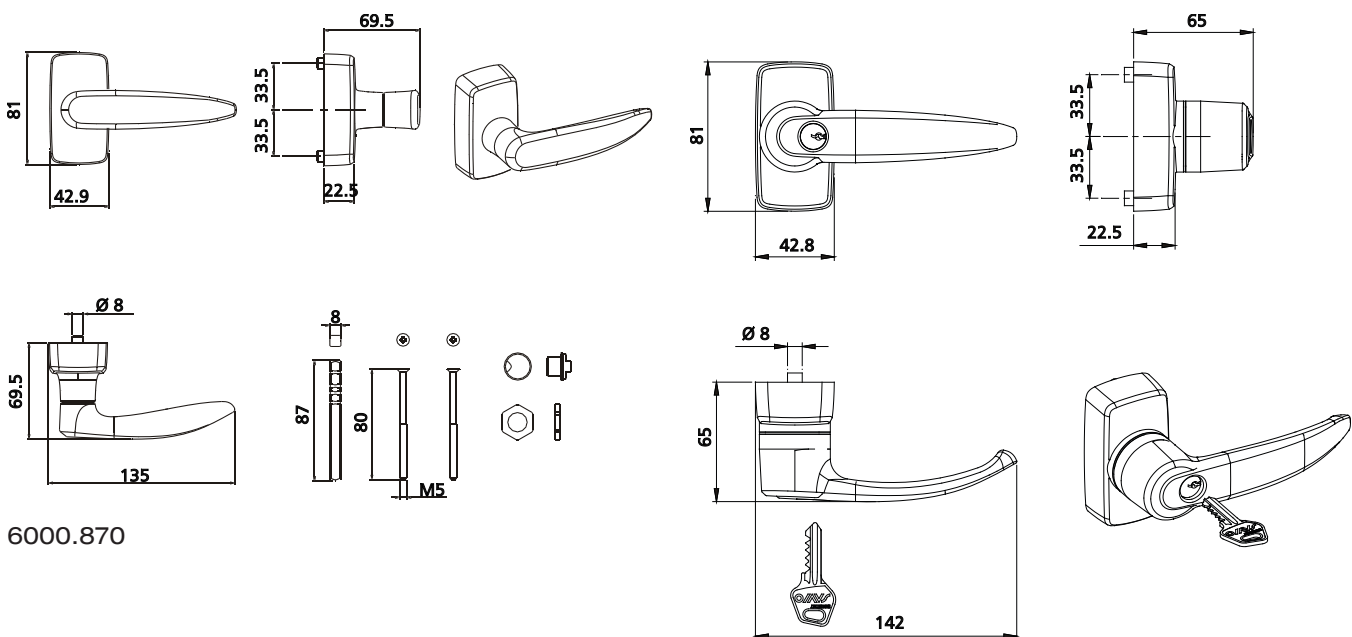
6000.873-6000.874



6000.870

code	description	finishes	pcs.
6000.870	External access device, handle only, in painted zamak and galvanized steel, painted die-cast aluminium grip, square spindle in galvanized steel, 1 socket head cap screw M5x30 in white galvanized steel + 2 countersunk head screws M5x80 in black galvanized steel.	9005, 9010, GREY, SILV	1
6000.873	External access device, idle handle, in painted zamak and galvanized steel, handle grip in zamak, shaped cylinder with different key combinations, 3 nickel plated keys, squared spindle in white galvanized steel, 2 countersunk head screw M5x80 in galvanized steel.	1013, 9005, 9006D, 9010, GREY, SILV	1
6000.874	External access device, idle handle, in painted zamak and galvanized steel, handle grip in zamak, shaped cylinder with single key combination, 3 nickel plated keys, squared spindle in white galvanized steel, 2 countersunk head screw M5x80 in galvanized steel.	9005, 9010, GREY, SILV	1

Panic-device system



6000.870

6000.873-6000.874



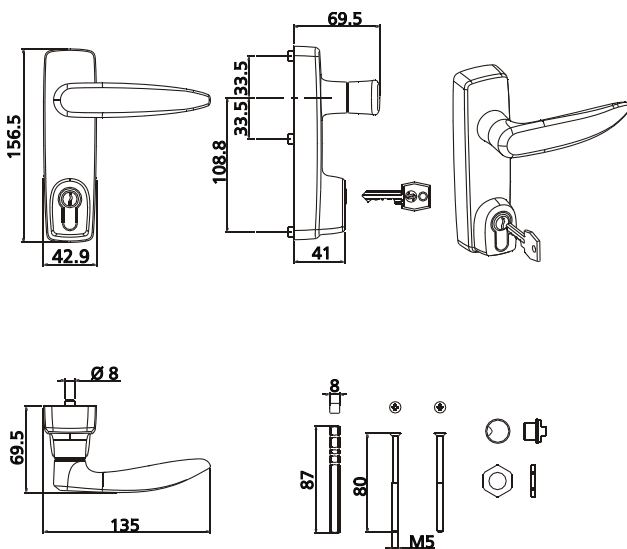
6000.875-6000.877



6000.876

code	description	finishes	pcs.
6000.875	External access device, idle handle, in painted zamak and galvanised steel, painted die-cast aluminium grip, European profile cylinder with different key combinations + 3 nickel plated keys, square spindle in white galvanised steel, 1 socket head cap screw M5x30 in white galvanised steel + 2 countersunk head screws M5x80 in black galvanised steel. With "cylinder unlocked key retention device".	1013, 9005, 9010, GREY, PVD X, SILV	1
6000.877	External access device, idle handle, in painted zamak and galvanised steel, painted die-cast aluminium grip, European profile cylinder with single key combination + 3 nickel plated keys, square spindle in galvanised steel, 1 socket head cap screw M5x30 in white galvanised steel + 2 countersunk head screws M5x80 in black galvanised steel. With "cylinder unlocked key retention device".	9005, 9010, GREY, SILV	1
6000.876	External access device, idle handle, in painted zamak and galvanised steel, painted die-cast aluminium grip, without cylinder, square spindle in galvanised steel, 1 socket head cap screw M5x30 in white galvanised steel + 2 countersunk head screws M5x80 in black galvanised steel. With "cylinder unlocked key retention device".	1013, 7016, 9005, 9010, GREY, PVD X, SILV	1

Panic-device system



6000.875-6000.877-6000.876



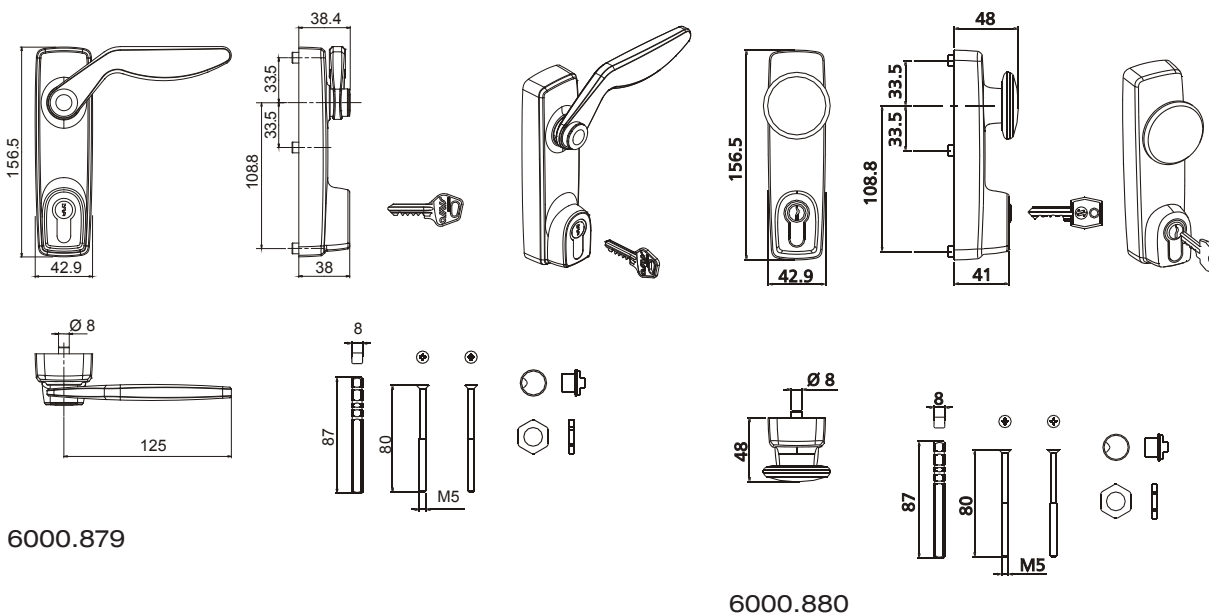
6000.880



6000.879

code	description	finishes	pcs.
6000.879	External access device with reduced size handle, in painted zamak and galvanised steel, painted die-cast aluminium grip, European profile cylinder with different key combinations + 3 nickel plated keys, square spindle in white galvanised steel, 1 socket head cap screw M5x12 in white galvanised steel + 2 countersunk head screws M5x80 in black galvanised steel. With "cylinder unlocked key retention device". To use with cam art. 6010.401 in the case of using JUVARRA/BRUNELLESCHI panic-device system.	9005, 905	1
6000.880	Outside access device in painted zamak and galvanised steel, fixed handle with knob, European profile cylinder with different key combinations + 3 nickel plated keys, square spindle in galvanised steel, 2 countersunk head screws M5x80 in black galvanised steel. Preferably for use with the 1 locking point version. To use with cam art. 6010.401 in the case of using JUVARRA/BRUNELLESCHI panic-device system.	9005, 9010, 905, 910, GREY, PVD X, SILV, SLV	1

Panic-device system



6000.879

6000.880



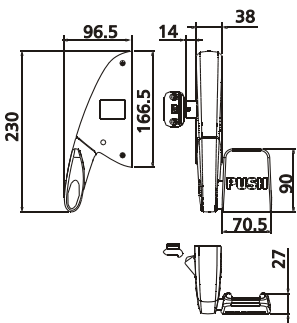
6000.401



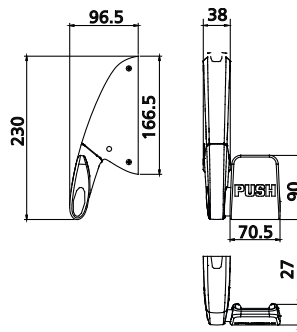
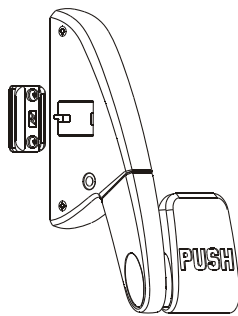
6000.751-6000.752

code	description	finishes	pcs.
6000.751	(patented) Support for horizontal latching device with one push-pad in painted zamak and galvanized steel, nickel plated latch bolt. Complete with: fastening counterplates in galvanized steel, 93 mm painted steel bar, 1 keeper + 3 spacers in painted zamak, right and left nylon bar caps, 4 countersunk head screws Ø 4.2x13 in galvanized steel, 2 cap screws Ø 4.2x19 in galvanized steel, 8 countersunk head screws M4x5 in galvanized steel.	1013, 9005, 9010, GREY	1
6000.752	(patented) Support for vertical latching device, push-pad in painted zamak and galvanized steel. Complete with: galvanized steel fastening counterplate, 93 mm painted steel bar, nylon right and left bar caps, 4 countersunk head screws Ø 4.2x13 in galvanized steel, 8 countersunk head screws M4x5 in galvanized steel.	1013, 9005, 9010, GREY, SILV	1
6000.401	Cam in nickel plated brass to use external access devices art. 6010.870/.873 /.874/.875/.876/.877 on BERNINI e CELLINI panic-device system.		5

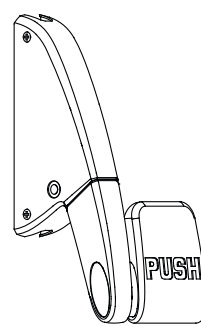
Panic-device system



6000.751



6000.752

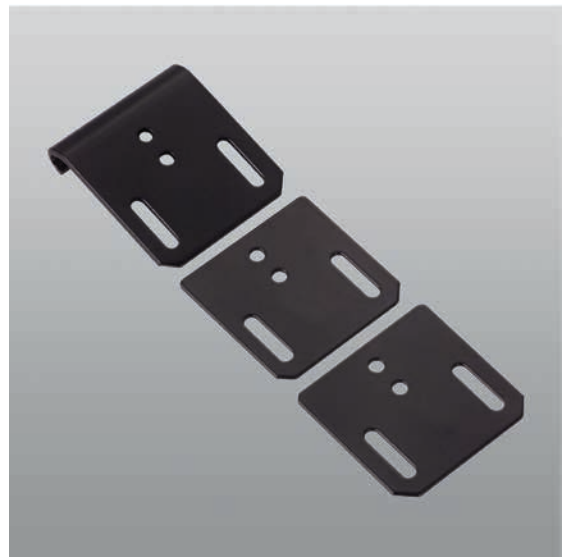




6000.806

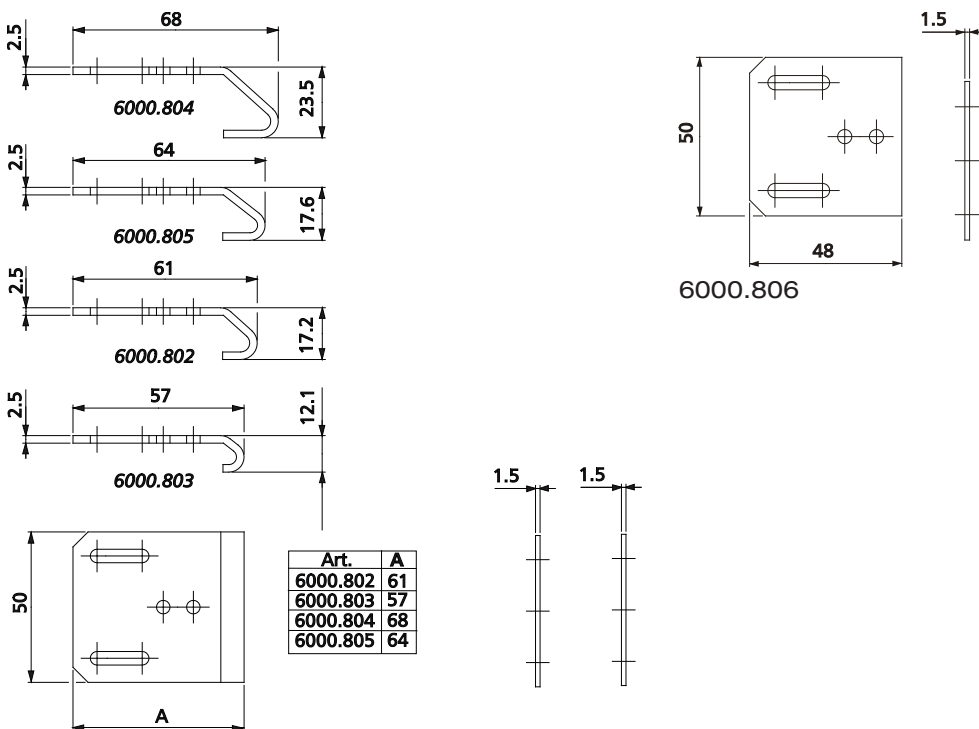


6000.802-6000.803-6000.804-6000.805



code	description	finishes	pcs.
6000.802	Kit of keepers for horizontal or side latching device, for PVC (20 mm rabbet and more) and wood. Complete with: 1 keepers and 2 spacers in painted steel.	9005, 9010, GREY, SILV	5
6000.803	Kit of keepers for one side locking point, for PVC (rabbet less than 20 mm) and wood. Complete with: 1 keeper and 2 spacers in painted steel.	9005, 9010, GREY, SILV	5
6000.804	Kit of keepers for vertical latching device, for PVC (20 mm rabbet and more) and wood. Complete with: 1 keepers and 2 spacers in painted steel.	9005, 9010, GREY, SILV	5
6000.805	Kit of keepers for vertical latching device, for PVC (rabbet less than 20 mm) and wood. Complete with: 1 keeper and 2 spacers in painted steel.	9005, 9010, GREY, SILV	5
6000.806	1.5 mm spacer in painted steel.	9005, 9010, GREY, SILV	40

Panic-device system



6000.802-6000.803-6000.804-6000.805



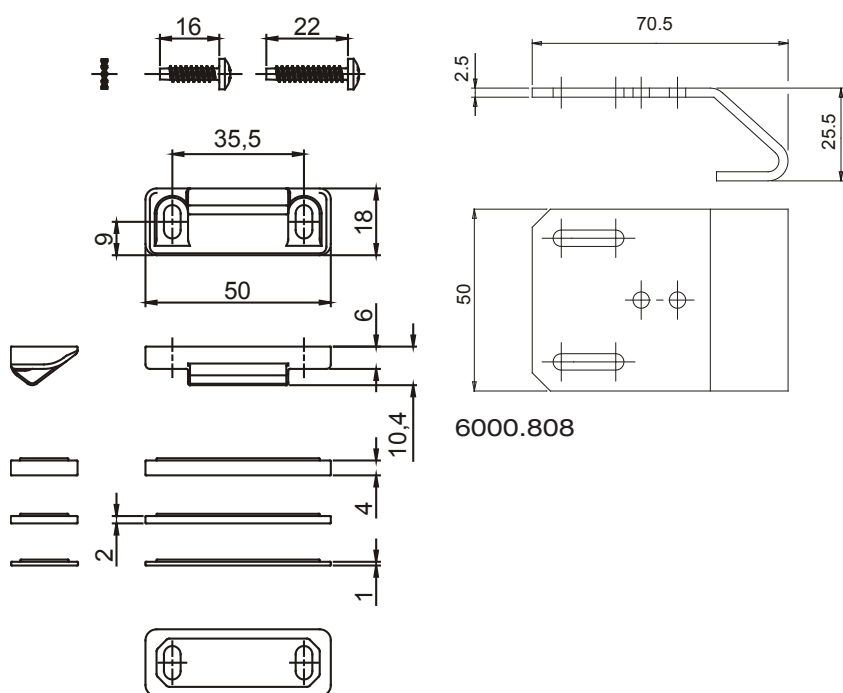
6000.807



6000.808

code	description	finishes	pcs.
6000.807	Kit made of 1 upper keeper and 3 spacers (1, 2, 4 mm) in white powder coated zamak for vertical closing, 2 self-tapping screws TC Ø 4.2x16, 2 self-tapping screws TC Ø 4.2x22 and 2 washers in galvanized steel.	9005, 9010, GREY, SILV	20
6000.808	Kit of keepers for vertical latching device, for PVC (20 mm rabbet and more) and wood.	9005, 9010	50

Panic-device system



6000.807

6000.808



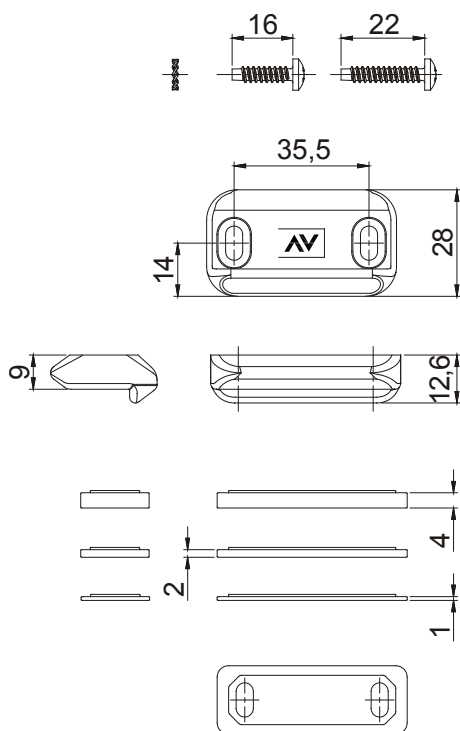
6000.810



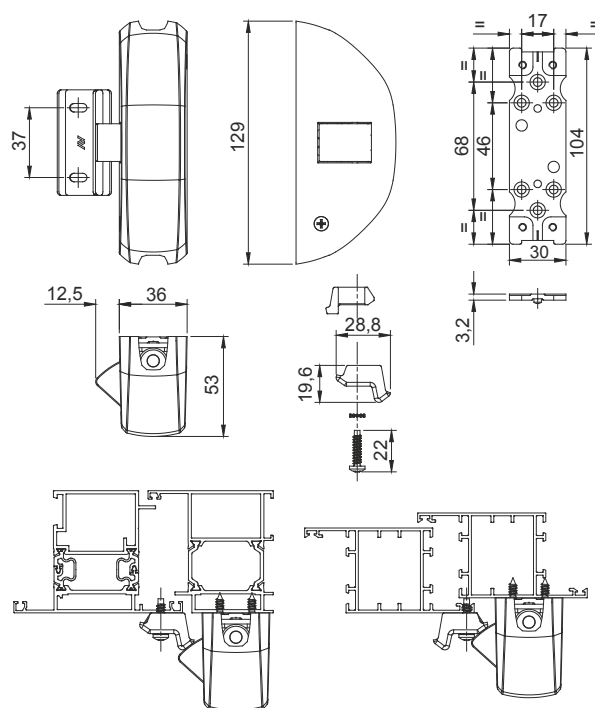
6000.809

code	description	finishes	pcs.
6000.809	Kit made of 1 upper keeper and 3 spacers (1, 2, 4 mm) in white powder coated zamak for horizontal closing, 2 self-tapping screws TC Ø 4.2x16, 2 self-tapping screws TC Ø 4.2x22 and 2 washers in galvanized steel.	9005, 9010, GREY, SILV	20
6000.810	Supplementary lateral locking device in painted zamak and galvanized steel, latch bolt in nickel plated zamak, counterplate in white galvanized steel, 1 keeper in painted steel, 1 keeper cup in nylon, 4 countersunk head screws Ø 3.9x13, 2 cap screws Ø 4.2x19 and 6 countersunk head screws M4x5 in black galvanized steel (9010, GREY and SILV: 4 countersunk head screws M4x5 in galvanized steel + 2 countersunk head screws M4x6 in stainless steel).	9005, 9010, GREY, SILV	1

Panic-device system



6000.809



6000.810



6000.830

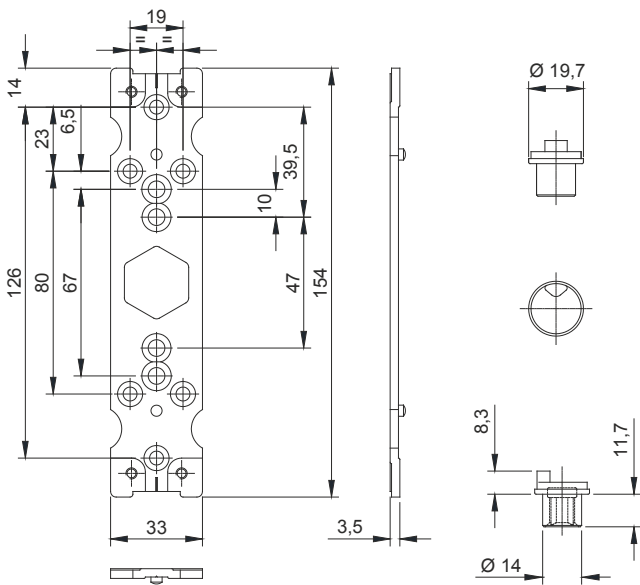


6000.815



code	description	finishes	pcs.
6000.830	Dogging mechanism in black nylon and zamak.		5
6000.815	Kit to use art. 6010.890 with BERNINI panic-device system, including: 1 counterplate in black galvanized steel and 1 cam in nickel plated brass.		1

Panic-device system



6000.815



6000.842



6000.820



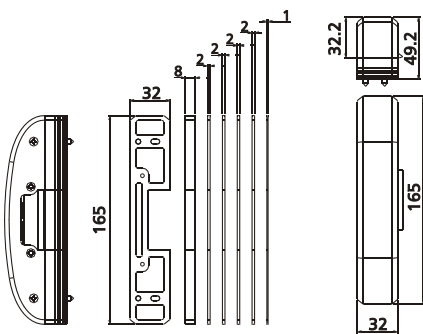
6000.840



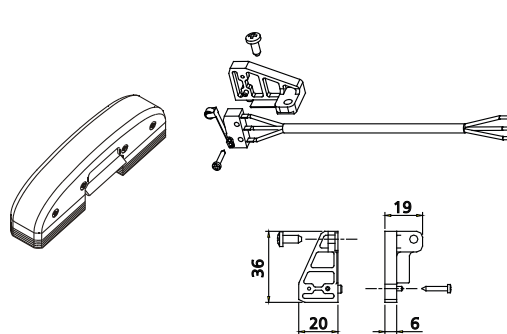
code	description	finishes	pcs.
6000.840	Intermediate support in painted zamak, fastening counterplate in galvanised steel, 4 countersunk head screws Ø 4.2x13 in galvanised steel, 8 black galvanised countersunk head screws M4x5 (for finishes 9010: 4 galvanised countersunk head screws M4x5 + 4 stainless steel countersunk head screws M4x6).	9005, 9010, SILV	1
6000.820	Electric strike with cover in painted zamak, bottom plate in galvanised steel, 4 cap screws Ø 3.9x25 in white galvanised steel, black nylon spacers. Electrical feed: 12 V CA. With relay.	1013, 9005, 9010, GREY, PVD X, SILV	1
6000.842	1 Microswitch + 1 black nylon support + 1 cap screw Ø 2.2x13 + 1 BZ scap screw Ø 3.9x9.5 in black galvanised steel.		5

Panic-device system

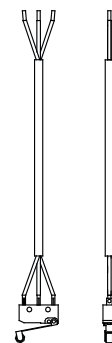
Bernini 469



6000.820



6000.842





6000.843



6000.890

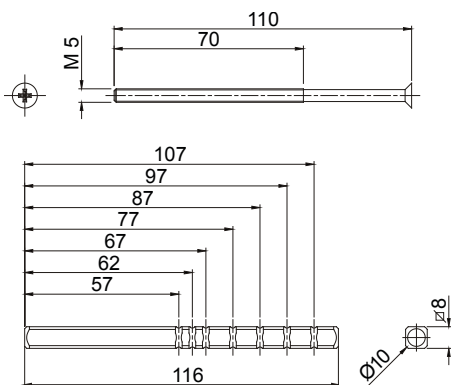


6000.897

code	description	finishes	pcs.
6000.843	Adjustable through-guides for art. 6010.720/.721, in galvanised zamak + 1 countersunk head screws Ø 3.9x13 in black galvanised steel.		20
6000.890	BERNINI and JUVARRA exit sign plate.		10
6000.897	Fastening kit for external access device for profiles with section up to 100 mm, 1 squared spindle of 8 mm in white galvanized steel, 2 countersunk head screw M5x110 in white galvanized steel.		20

Panic-device system

470



6000.897



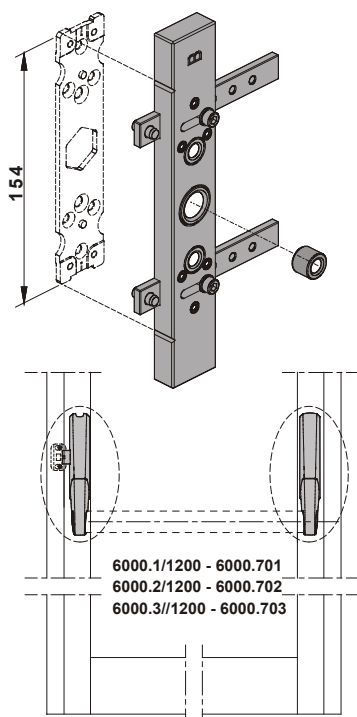
6000.952



6000.950

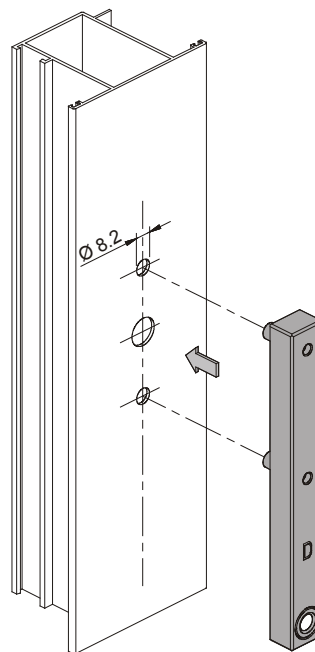
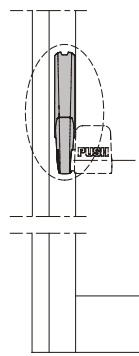
code	description	finishes	pcs.
6000.950	Aluminium drilling jig for main and secondary support for BERNINI panic device.		1
6000.952	Aluminium drilling jig for external access devices art. 6010.875/.876/.877 and 6000.875/.876/.877/.879/.880.		1

Panic-device system

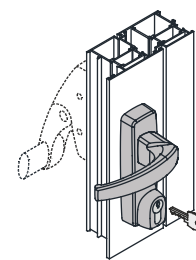


6000.950

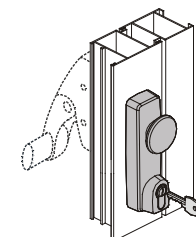
6000.751 - 6000.752



6000.952



6000.879 6010.875
6010.876
6010.877



6000.880



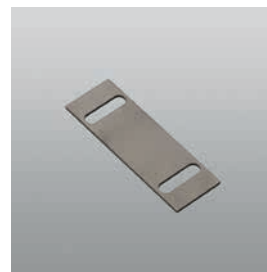
6001.805



6001.806



6001.808

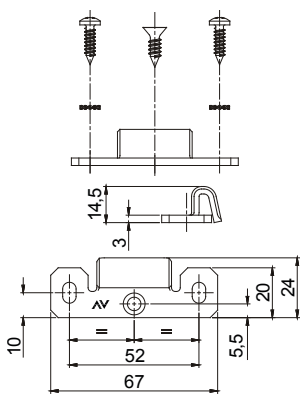


6001.810

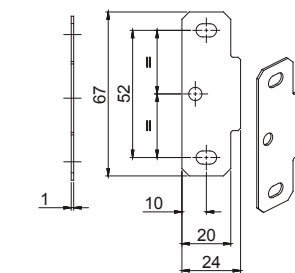
code	description	finishes	pcs.
6001.805	Kit made of 1 keeper in powder coated steel for horizontal and vertical closings, 1 self-tapping screws TS Ø 4.8x16, 2 self-tapping screws TC Ø 4.2x16 and 2 washers in galvanized steel.	9005, 9010, GREY, SILV	20
6001.806	1 mm spacer in powder coated steel for keeper art. 6001.805.	9005, 9010, GREY, SILV	40
6001.808	Kit made of 1 keeper in powder coated steel for horizontal closing, 2 self-tapping screws TC Ø 4.2x19 and 2 washers in galvanized steel. For flush profiles.	9005, 9010, GREY, SILV	20
6001.810	1 mm spacer in powder coated steel for keepers art. 6001.807-6001.809.		40

Panic-device system

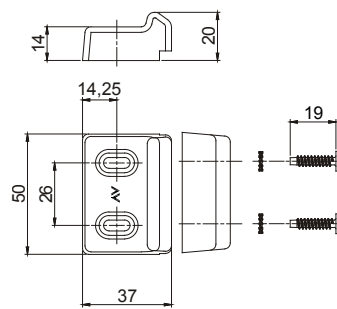
472



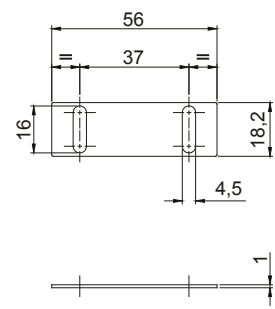
6001.805



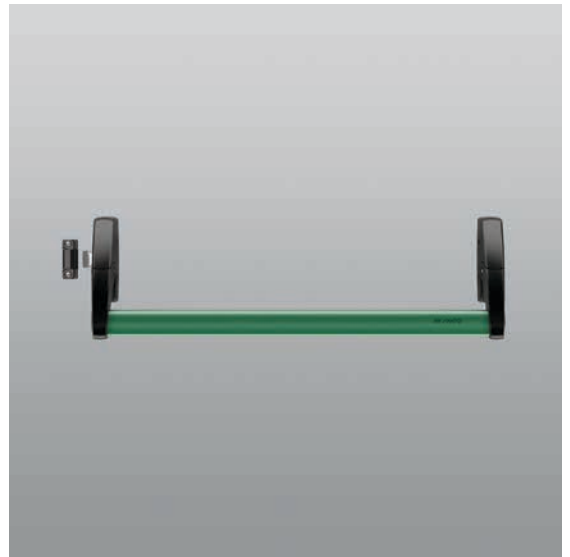
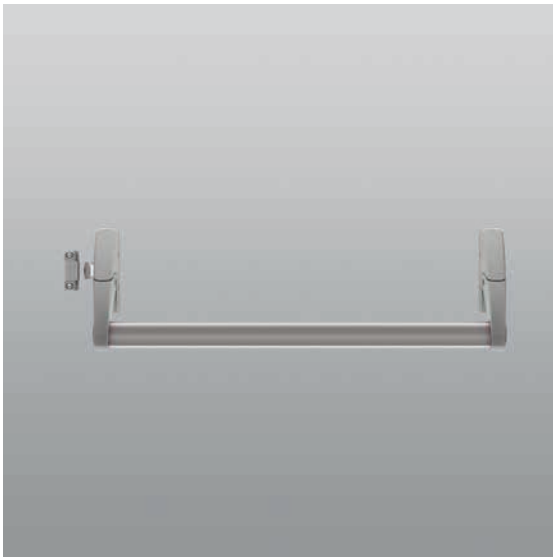
6001.806



6001.808



6001.810



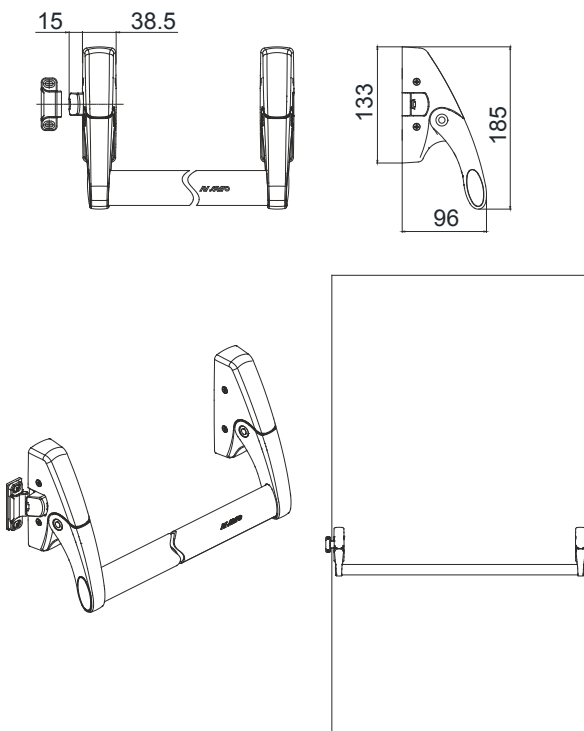
6010.99/120

6010.1/1200

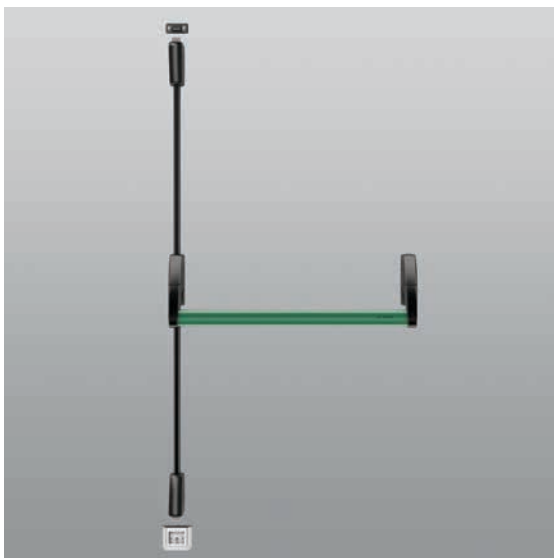
code	description	finishes	pcs.
6010.1/1200	(patented) Horizontal non-handed panic bar with 1 locking point, push-bar version, in zamak and galvanised steel. Complete with: latch bolt in nickel plated zamak, 1 counterplate in galvanised steel and 1 counterplate in nylon, 1200 mm bar and 2 keepers in painted zamak, 4 countersunk head screws Ø 4.2x13, 2 cap screws 4.2x13, 2 cap screws 4.8x13, 2 countersunk head screws Ø 4.2x16, 2 countersunk head screws M5x6 and 8 countersunk head screws M4x5 in galvanised steel. For doors with a clear width of 800 to 1240 mm and a max. height of 2450 mm.	301, 629, GREY	1
6010.99/120	Like 6010.1/1200 but with supports and bar in the same finish.	905, 910, GREY, SLV	1

Panic-device system

Juvarra 473



6010.1/1200-6010.99/120



6010.2/1200

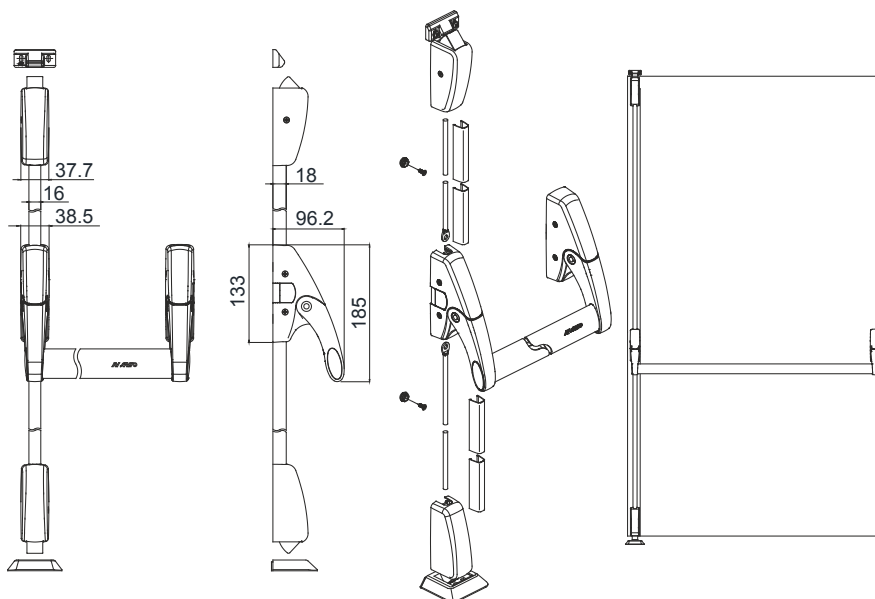
6010.98/120

code	description	finishes	pcs.
6010.2/1200	(patented) Vertical rod non-handed panic bar with 2 locking points, push-bar version, in zamak and galvanised steel. Complete with: 3 counterplates in galvanised steel and 1 counterplate in nylon, 1200 mm bar and 1 keeper in painted steel, 1 floor-mounted keeper in stainless steel, 1 black nylon insert, 1 top rod + 1 bottom rod in aluminium, 1 rod cover of 1449 mm and 1 rod cover of 1037 mm in painted aluminium, 2 adjustable plugs in black galvanised zamak, 2 countersunk head screws Ø 4.2x16, 10 countersunk head screws Ø 4.2x13, 4 cap screws Ø 4.2x13, 2 cap screws Ø 4.2x19, 2 cap screws 4.8x13, 2 countersunk head screws M5x6 and 14 countersunk head screws M4x5 in galvanised steel. For doors with a clear width of 800 to 1240 mm and a max. height of 2450 mm.	301, 629, GREY	1
6010.98/120	Like 6010.2/1200 but with supports, covers and bar in the same finish.	905, 910, GREY, SLV	1

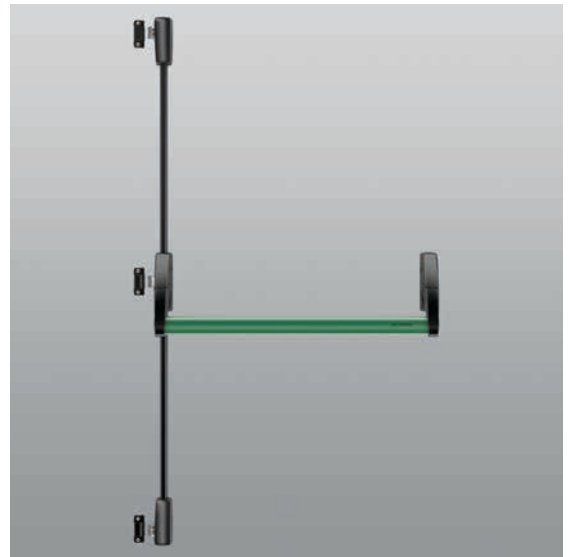
Panic-device system

474

Juvarra



6010.2/1200-6010.98/120



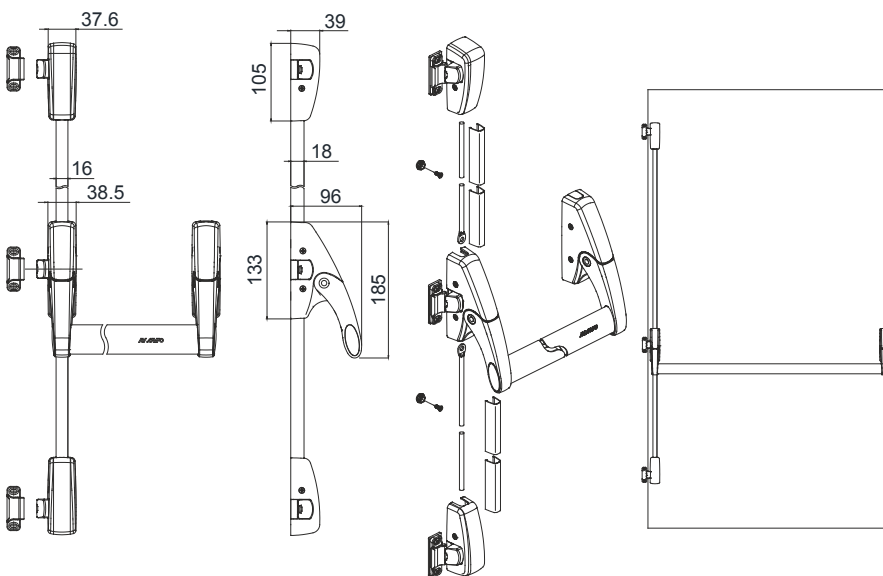
6010.97/120

6010.3/1200

code	description	finishes	pcs.
6010.3/1200	(patented) Vertical rod non-handed panic bar with 3 locking points, push-bar version, in zamak and galvanized steel. Complete with: latch bolt in nickel plated zamak, 3 counterplates in galvanized steel and 1 counterplate in nylon, 1200 mm bar and 6 keepers in painted zamak, 1 top rod + 1 bottom rod in aluminium, 1 1340 mm rod cover and 1 1037 mm rod cover in painted aluminium, 2 adjustable plugs in black galvanized zamak, 2 countersunk head screws Ø 4.2x16, 14 countersunk head screws Ø 4.2x13, 6 cap screws Ø 4.2x13, 2 cap screws 4.8x13, 6 countersunk head screws M5x6 and 10 countersunk head screws M4x5 in galvanized steel. For doors with a clear width of 800 to 1240 mm and a max. height of 2450 mm.	301, 629, GREY	1
6010.97/120	Like 6010.3/1200 but with supports, covers and bar in the same finish.	905, 910, GREY, SLV	1

Panic-device system

Juvarra 475



6010.3/1200-6010.97/120



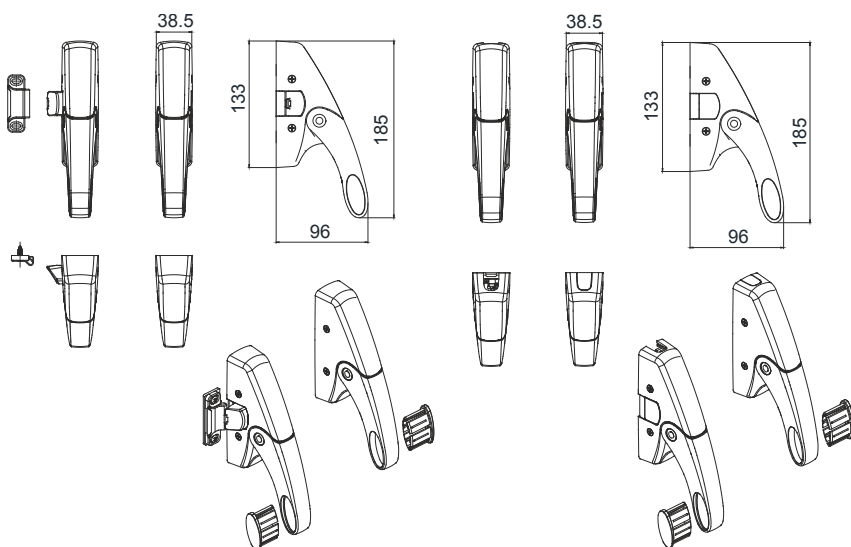
6010.701

6010.702

code	description	finishes	pcs.
6010.701	(patented) Kit with horizontal non-handed supports, 1 locking point, push-bar version, in painted zamak and galvanised steel. Complete with: latch bolt in nickel plated zamak, 1 counterplate in galvanised steel and 1 counterplate in nylon, 2 keepers in painted zamak, right and left nylon bar caps, 2 countersunk head screws 4.2x16, 4 countersunk head screws 4.2x13, 2 cap screws 4.2x13, 2 cap screws 4.8x13, 8 countersunk head screws M4x5 and 2 countersunk head screws M5x6 in galvanised steel (GREY: 2 cap screws 4.2x13 in galvanised steel and 8 countersunk head screws M4x6 in stainless steel).	905, 910, GREY, SLV	1
6010.702	(patented) Kit with non-handed vertical supports, 2 locking points, push-bar version, in painted zamak and galvanised steel. Complete with: 1 galvanised steel counterplate and 1 nylon counterplate, right and left nylon bar caps, 2 caps in painted zamak, 8 countersunk head screws Ø 4x5, 2 countersunk head screws M5x6, 4 countersunk head screws 4.2x13, 2 countersunk head screws 4.2x16 and 2 cap screws 4.8x13 in galvanised steel (GREY: 8 countersunk head screws M4x6 in stainless steel).	905, 910, GREY, SLV	1

Panic-device system

Juvarra



6010.701

6010.702



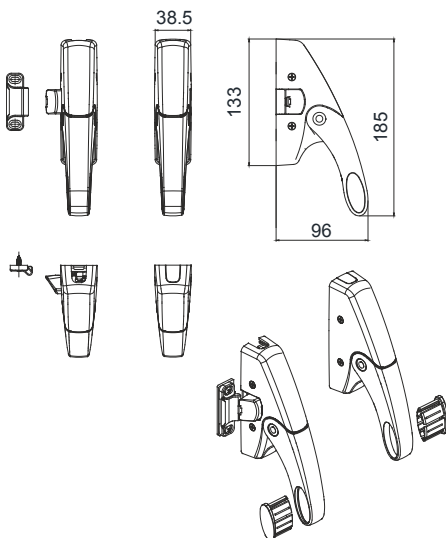
6010.B/860-6010.B/1200-6010.B/1500

6010.703

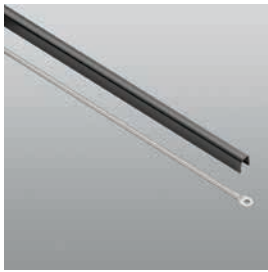
code	description	finishes	pcs.
6010.703	(patented) Kit with non-handed supports, 3 locking points, push-bar version, in painted zamak and galvanised steel. Complete with: latch bolt in nickel plated zamak, 1 counterplate in galvanised steel and 1 counterplate in nylon, 2 keepers in painted zamak, right and left nylon bar caps, latch bolt cap and 4 caps in painted zamak, 2 countersunk head screws 4.2x16, 4 countersunk head screws 4.2x13, 2 cap screws 4.2x13, 2 cap screws 4.8x13, 8 countersunk head screws M4x5 and 2 countersunk head screws M5x6 in galvanised steel (GREY:2 cap screws 4.2x13 in galvanised steel and 8 countersunk head screws M4x6 in stainless steel).	905, 910, GREY, SLV	1
6010.B/860	Horizontal 860 mm bar in painted or stainless steel. For doors with leaf up to 900 mm.	301, 629, 905, 910, GREY, S, SLV	1
6010.B/1200	Horizontal 1200 mm bar in painted or stainless steel. For doors with leaf up to 1240 mm.	301, 629, 905, 910, GREY, S, SLV	1
6010.B/1500	Horizontal 1500 mm bar in painted or stainless steel. For doors with leaf up to 1540 mm.	301, 629, 905, 910, GREY, S, SLV	1

Panic-device system

Juvarra 477



6010.703



6010.720



6010.721

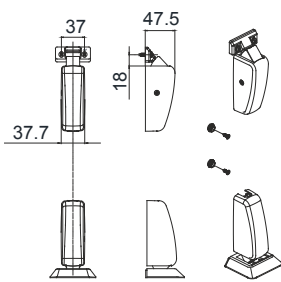


6010.730

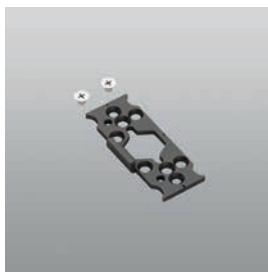


code	description	finishes	pcs.
6010.720	Standard vertical rods: 1 upper rod and 1 lower rod in aluminium, 1 rod cover 1037 mm and 1 rod cover 1449 mm in painted aluminium. For doors up to 2450 mm high.	905, 910, GREY, SLV	1
6010.721	Vertical rods: 1 upper rod and 1 lower rod in aluminium, 1 rod cover 1037 mm and 1 rod cover 2099 mm in painted aluminium, 1 adjustable plug in galvanised zamak, 1 countersunk head screws Ø 4.2x13 in galvanised steel. For doors from 2450 mm to 3100 mm high.	905, 910, GREY, SLV, XSD	1
6010.730	(patented) Kit with top / bottom latch bolts in nickel plated zamak. Including: fastening counterplates in galvanised steel, 1 floor-mounted keeper in stainless steel + 1 black nylon insert, 2 adjustable plugs in galvanised zamak, 1 keeper in painted steel, 6 countersunk head screws Ø 4.2x13, 4 cap screws Ø 4.2x13, 2 cap screws Ø 4.2x19, 6 countersunk head screws M4x5 in galvanised steel.	905, 910, GREY, SLV	1

Panic-device system



6010.730



6010.815



6010.740



6010.735R

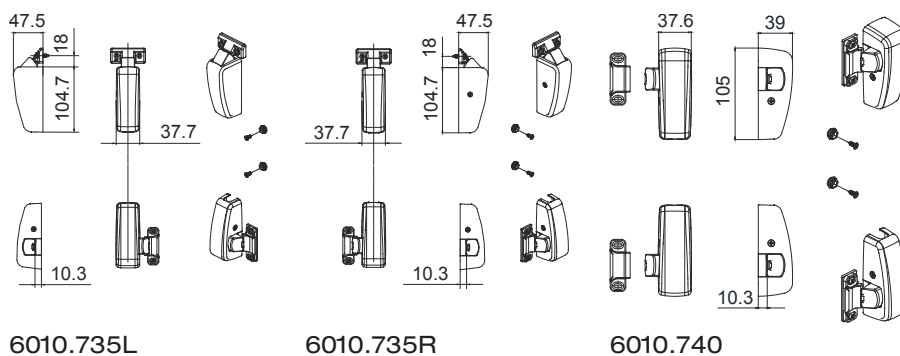


6010.735L



code	description	finishes	pcs.
6010.735L	(patented) LH Kit with top/side latch bolts in painted zamak and galvanised steel, nickel plated latch bolt. Including: fastening counterplates in galvanised steel, 2 adjustable plugs in galvanised zamak, 2 keepers in painted zamak, 1 keeper in painted steel, 8 countersunk head screws Ø 4.2x13, 4 cap screws Ø 4.2x13, 2 cap screws Ø 4.2x19, 4 countersunk head screws M4x5 and 2 countersunk head screws M5x6 in galvanised steel (GREY: 2 cap screws Ø 4.2x13, 2 cap screws Ø 4.2x19 and 2 countersunk head screws M4x5 in galvanised steel + 2 countersunk head screws M4x6 in stainless steel).	905, 910, GREY, SLV	1
6010.735R	Like 6010.735L but RH.	905, 910, GREY, SLV	1
6010.740	(patented) Kit with side latch bolts in painted zamak and galvanised steel, nickel plated latch bolt. Including: fastening counterplates in galvanised steel, 2 keepers in painted zamak, 2 adjustable through-guides in galvanised zamak, 10 countersunk head screws Ø 4.2x13, 4 cap screws Ø 4.2x13, 2 countersunk head screws M4x5 and 4 countersunk head screws M5x6 in galvanised steel (GREY: 4 cap screws Ø 4.2x13 in galvanised steel + 2 countersunk head screws M4x6 in stainless steel).	905, 910, GREY, SLV	1
6010.815	Counterplate kit stainless steel, 2 countersunk head screws M5x6 in galvanised steel. To use for fitting the secondary support of JUVARRA by welding.		5

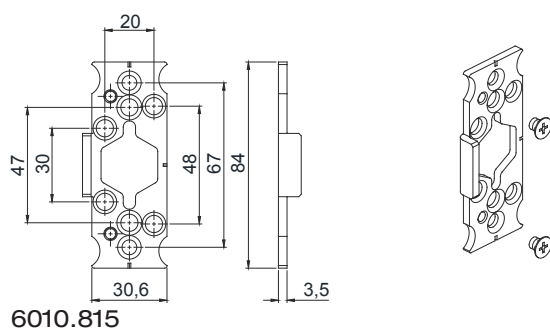
Panic-device system



6010.735L

6010.735R

6010.740



6010.815

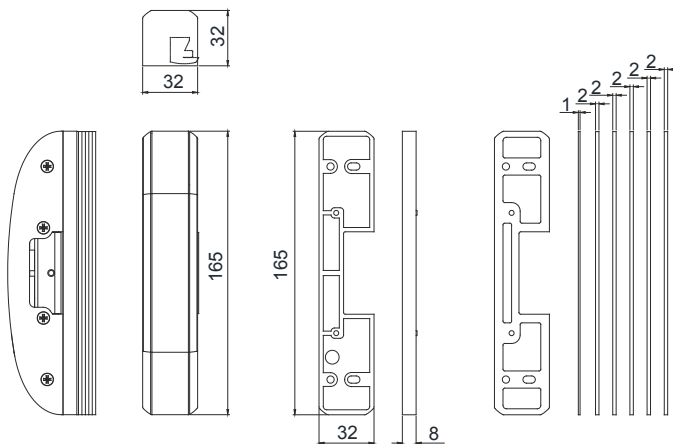


6010.820
6010.824

code	description	finishes	pcs.
6010.820	Electric strike for profiles with height rebate of 0-4-5 mm, with cover in painted zamak, bottom plate and 4 cap screws Ø 3.9x25 in galvanised steel, 4 countersunk head screws M4x8 in stainless steel, black nylon spacers. Electrical feed: 12 V DC. With relay.	905, 910, GREY, SLV	1
6010.824	Electric strike for profiles with height rebate of 0-4-5 mm, with cover in painted zamak, bottom plate and 4 cap screws Ø 3.9x25 in galvanised steel, 4 countersunk head screws M4x8 in stainless steel, black nylon spacers. Electrical feed: 12 V DC. Without relay.	905, 910, GREY, SLV	1

Panic-device system

480



6010.820-6010.824



6010.842



6010.830

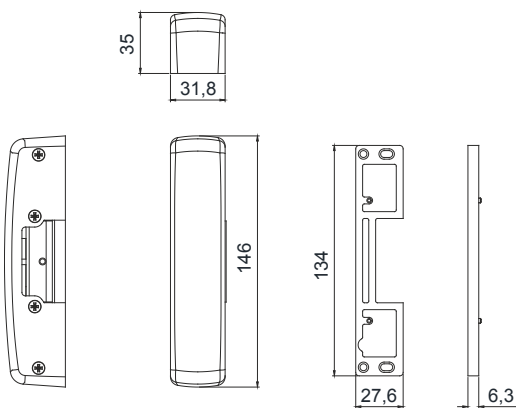


6010.821
6010.825

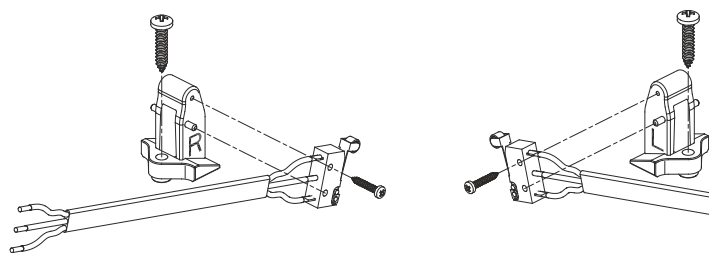


code	description	finishes	pcs.
6010.821	Electric strike for flush profiles, with cover in painted zamak, bottom plate and 4 cap screws Ø 3.9x13 in galvanised steel, 4 countersunk head screws M4x8 in stainless steel, black nylon spacer. Electrical feed: 12 V DC. With relay.	905, 910, GREY, SLV	1
6010.825	Electric strike for flush profiles, with cover in painted zamak, bottom plate and 4 cap screws Ø 3.9x13 in galvanised steel, 4 countersunk head screws M4x8 in stainless steel, black nylon spacer. Electrical feed: 12 V DC. Without relay.	905, 910, GREY, SLV	1
6010.830	Dogging mechanism in black nylon and zamak for JUVARRA panic bars.	905	5
6010.842	1 Microswitch and 1 black nylon support, 1 cap screw Ø 2.2x13 in galvanised steel and 1 cap scap screw Ø 3.9x19 in stainless steel. For JUVARRA panic bars.		5

Panic-device system



6010.821-6010.825



6010.842



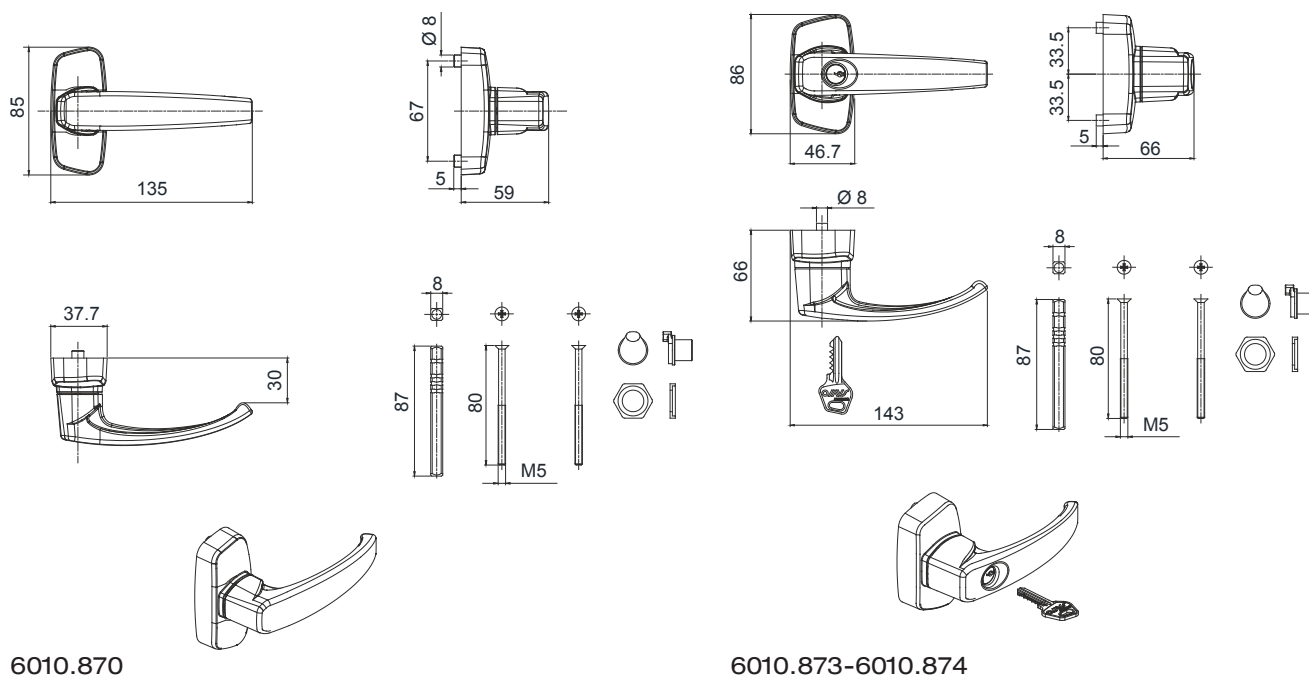
6010.870



6010.873-6010.874

code	description	finishes	pcs.
6010.870	External access device, handle only, and grip in painted zamak, square spindle, 1 socket head cap screw M5x30 in white galvanised steel + 2 countersunk head screws M5x80 in black galvanised steel.	905, 910, GREY, SLV	1
6010.873	External access device, idle handle, in painted zamak and galvanized steel, handle grip in zamak, shaped cylinder with different key combinations, 3 nickel plated keys, squared spindle in white galvanized steel, 2 countersunk head screw M5x80 in galvanized steel.	905, 910, GREY, SLV	1
6010.874	External access device, idle handle, in painted zamak and galvanized steel, handle grip in zamak, shaped cylinder with single key combination, 3 nickel plated keys, squared spindle in white galvanized steel, 2 countersunk head screw M5x80 in galvanized steel.	905, 910, GREY, SILV, SLV	1

Panic-device system



6010.870

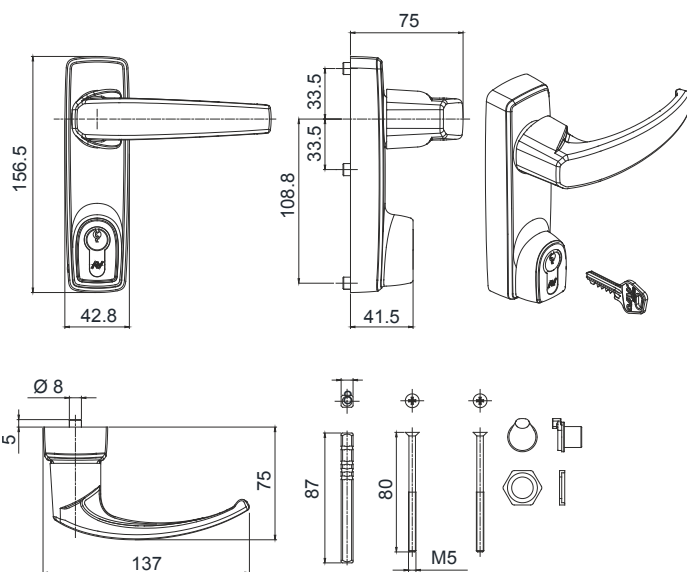
6010.873-6010.874



6010.875-6010.877

code	description	finishes	pcs.
6010.875	External access device, idle handle, in painted zamak and galvanised steel, painted die-cast aluminium grip, European profile cylinder with different key combinations + 3 nickel plated keys, square spindle in white galvanised steel, 1 protection cap for transportation on site in plastic material, 1 security cap in steel, 1 socket head cap screw M5x30 in white galvanised steel + 2 countersunk head screws M5x80 in black galvanised steel. With "cylinder unlocked key retention device".	905, 910, GREY, SLV	1
6010.877	External access device, idle handle, in painted zamak and galvanised steel, painted die-cast aluminium grip, European profile cylinder with single key combination + 3 nickel plated keys, square spindle in galvanised steel, 1 protection cap for transportation on site in plastic material, 1 security cap in steel, 1 socket head cap screw M5x30 in white galvanised steel + 2 countersunk head screws M5x80 in black galvanised steel. With "cylinder unlocked key retention device".	905, 910, GREY, SLV	1

Panic-device system



6010.875-6010.877



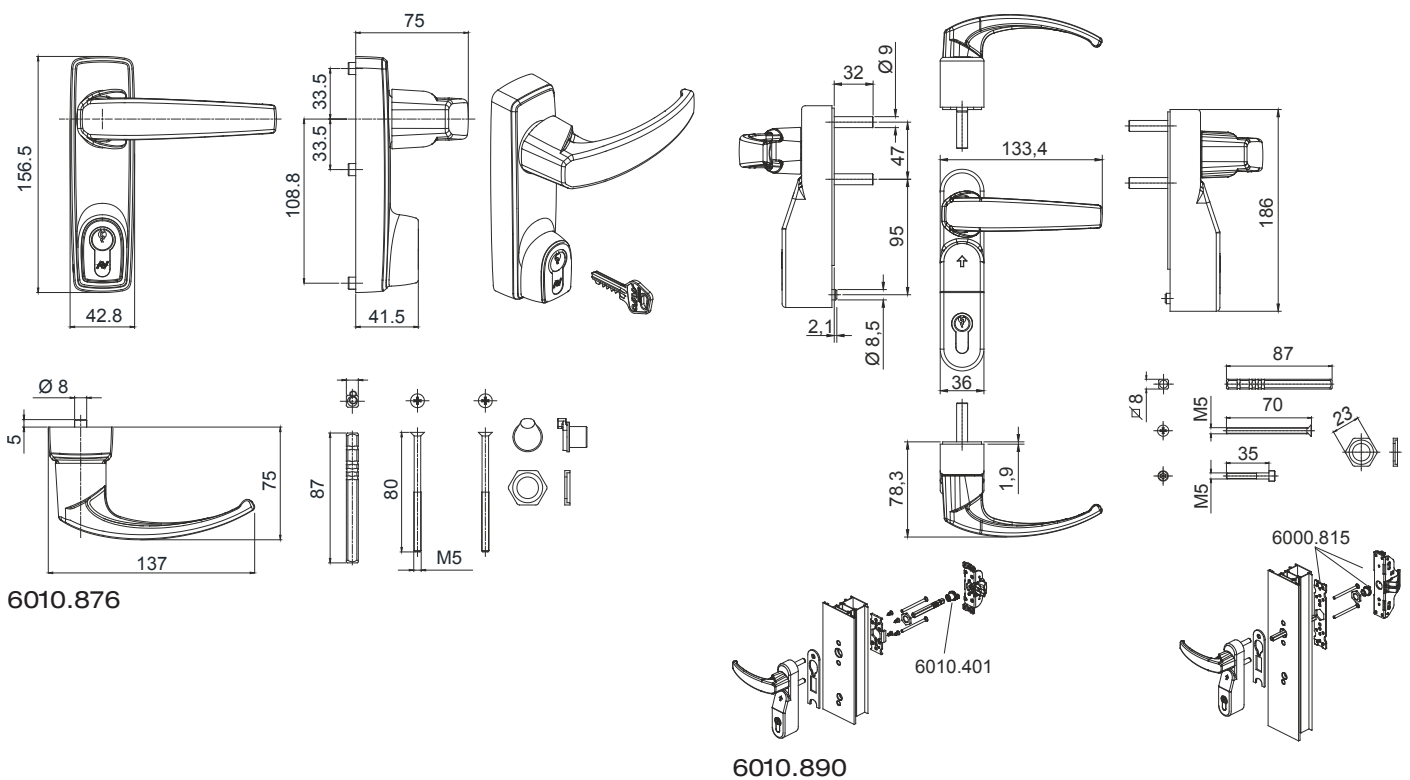
6010.876

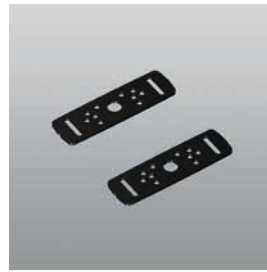


6010.890

code	description	finishes	pcs.
6010.876	External access device, idle handle, in painted zamak and galvanised steel, painted die-cast aluminium grip, without cylinder, square spindle in galvanised steel, 1 protection cap for transportation on site in plastic material, 1 security cap in steel, 1 socket head cap screw M5x30 in white galvanised steel + 2 countersunk head screws M5x80 in black galvanised steel. With "cylinder unlocked key retention device".	9005, 9010, 905, 910, GREY, SILV	1
6010.890	Electrical external access device, idle handle, in painted zamak and galvanized steel, handle grip in die-cast painted zamak, European profile cylinder with different key combinations, 3 nickel plated keys, squared spindle in white galvanised steel, 1 socket head cap screw M5x40 in nickel plated steel, 2 countersunk head screw M5x70 in galvanized steel. To use wiht cam art. 6010.401.	90BI, 90GR, 90NE	1

Panic-device system





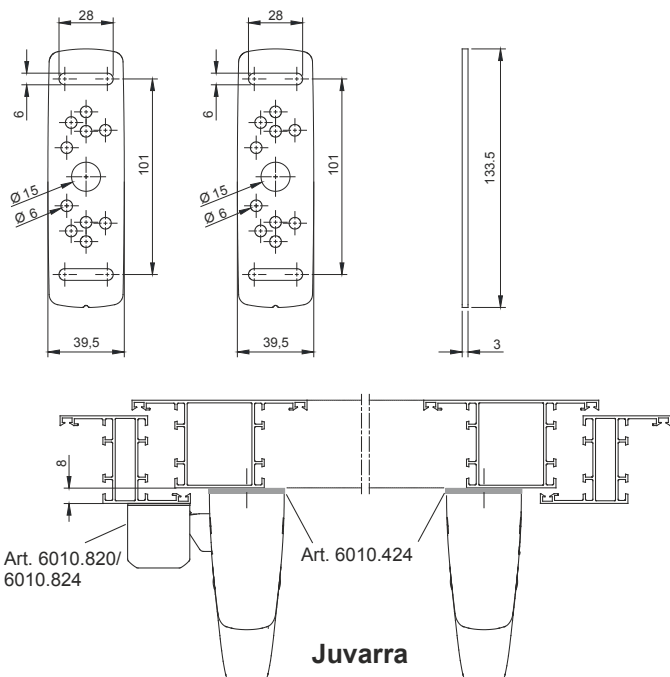
6010.424



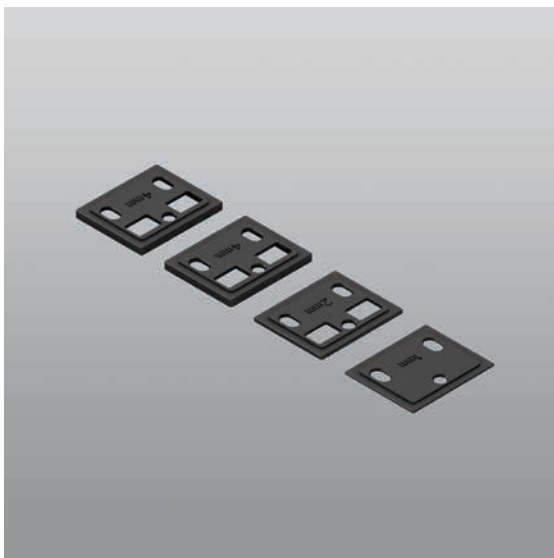
6010.401

code	description	finishes	pcs.
6010.401	Cam in brass to use external access devices art. 6000.870/.873/.874/.875/.876/.877/.879/.880 on JUVARRA/BRUNELLESCHI panic-device system.		5
6010.424	Shimming plate for main and secondary JUVARRA support (art. 6010.1), in coated steel. To combine with the electric strike art. 6010.820/.824 for application on profiles with height rebate of 8 mm.	905, 910, SLV	5

Panic-device system



6010.424



6010.800

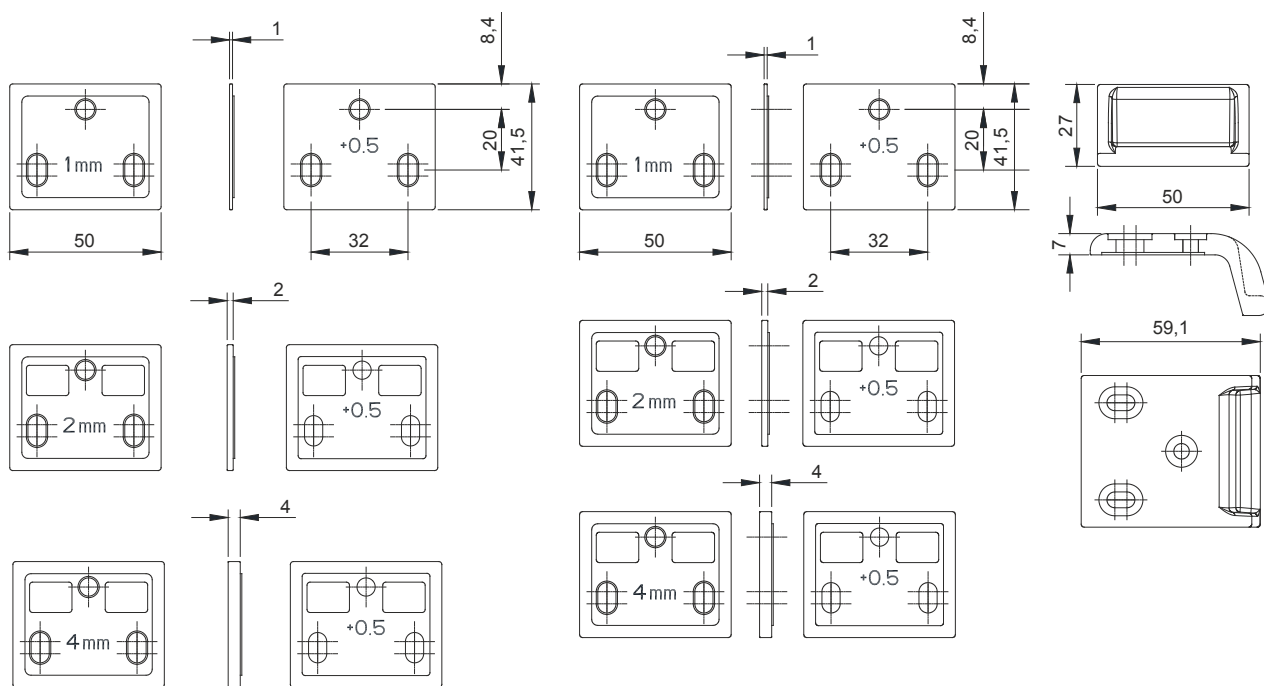


6010.801

code	description	finishes	pcs.
6010.800	Kit including: 4 spacers (1 mm, 2 mm and 2 pcs. of 4 mm) in black nylon or white nylon. To use with keeper art. 6010.801.	.74, .78	5
6010.801	Kit for horizontal or lateral closings, including: 1 keeper in anti-bacterial coated zamak (905, 910, SLV) and 4 spacers (1 mm, 2 mm and 2 pcs. of 4 mm) in black nylon for the finishes 905, SLV and GREY or white nylon for finishing 910. For applications on profiles in PVC.	905, 910, GREY, SLV	5

Panic-device system

486



6010.800

6010.801



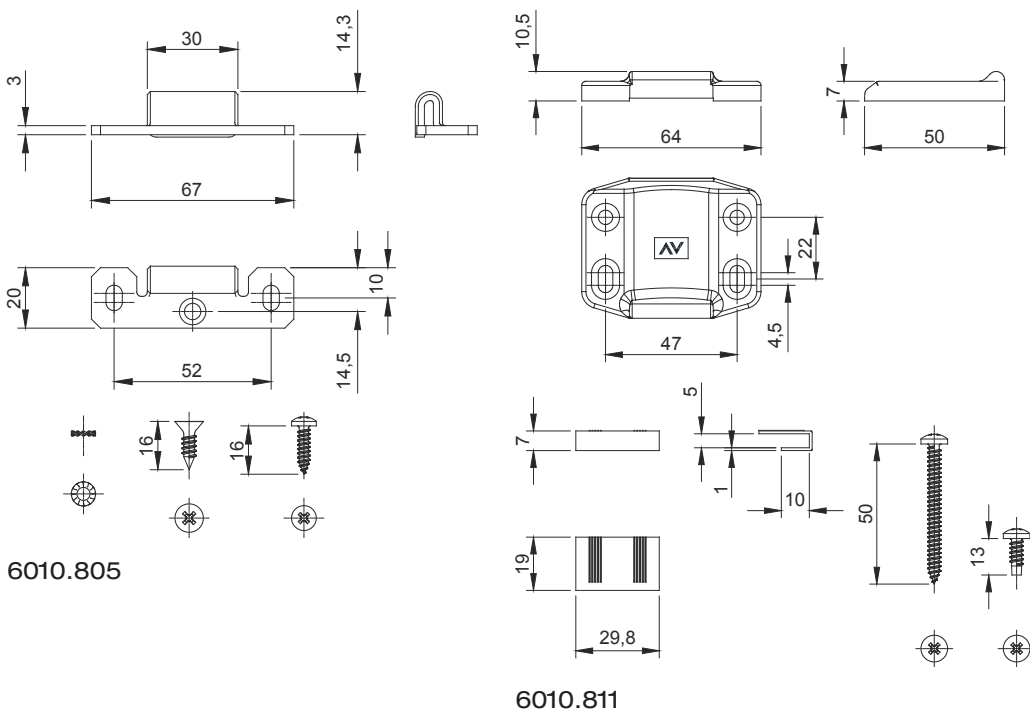
6010.811



6010.805

code	description	finishes	pcs.
6010.805	Kit made of 1 keeper in powder coated steel for horizontal and vertical closings, 1 self-tapping screws TS Ø 4.8x16, 2 self-tapping screws TC Ø 4.2x16 and 2 washers in galvanized steel. For applications on frame profiles.	905, 910, GREY, SLV	5
6010.811	Kit for horizontal or lateral closings, including: 1 double fitting large keeper in anti-bacterial coated zamak (905, 910, SLV), 1 black nylon gasket, 2 black galvanized self-tapping cap screws Ø 4.8x13 + 2 black galvanized self-tapping cap screws Ø 4.8x50 for finishing 905 or 2 white galvanized self-tapping cap screws Ø 4.8x13 + 2 white galvanized self-tapping cap screws Ø 4.8x50 for the finishes 910, SLV and GREY.	905, 910, GREY, SLV	5

Panic-device system



6010.805

6010.811



6010.812

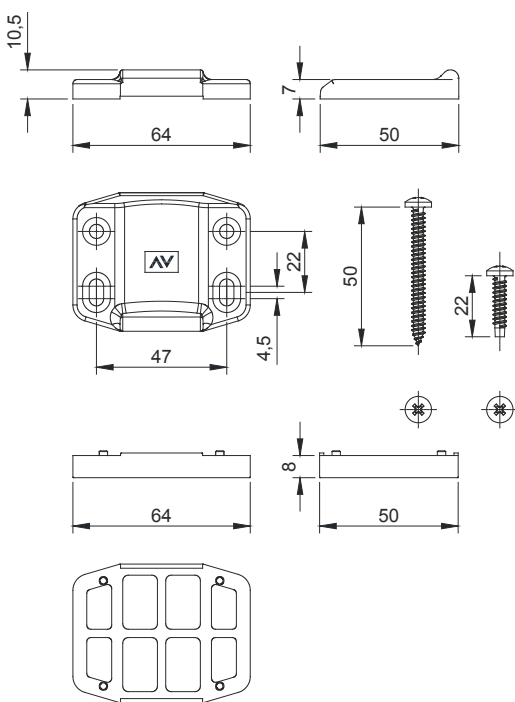


6010.899

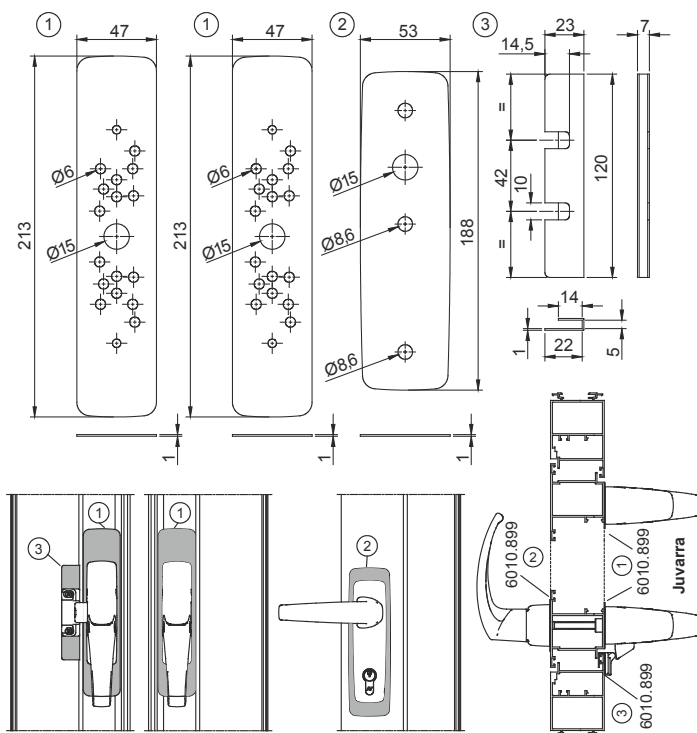
code	description	finishes	pcs.
6010.812	Kit for vertical upper closings, including: 1 large double fitting keeper in anti-bacterial coated zamak (905, 910, SLV), 1 black nylon spacer for the finishes 905, SLV and GREY or 1 white nylon spacer for finishing 910, 2 black galvanized self-tapping cap screws Ø 4.8x22 + 2 black galvanized self-tapping cap screws Ø 4.8x50 for finishing 905 or 2 white galvanized self-tapping cap screws Ø 4.8x22 + 2 white galvanized self-tapping cap screws Ø 4.8x50 for the finishes 910, SLV and GREY.	905, 910, GREY, SLV	5
6010.899	Cover machining plate kit in coated steel in case of use of JUVARRA/BERNINI to replace any other handle previously installed on the door. To combine with art. 6010.701, 6010.1/1200 - 6000.701, 6000.1/1200.	905	5

Panic-device system

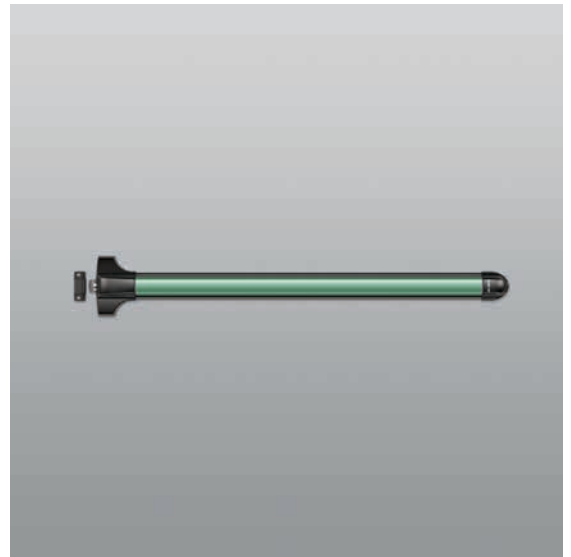
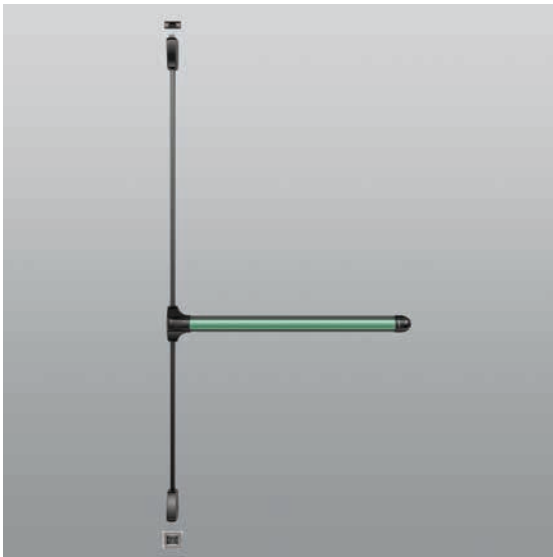
488



6010.812



6010.899



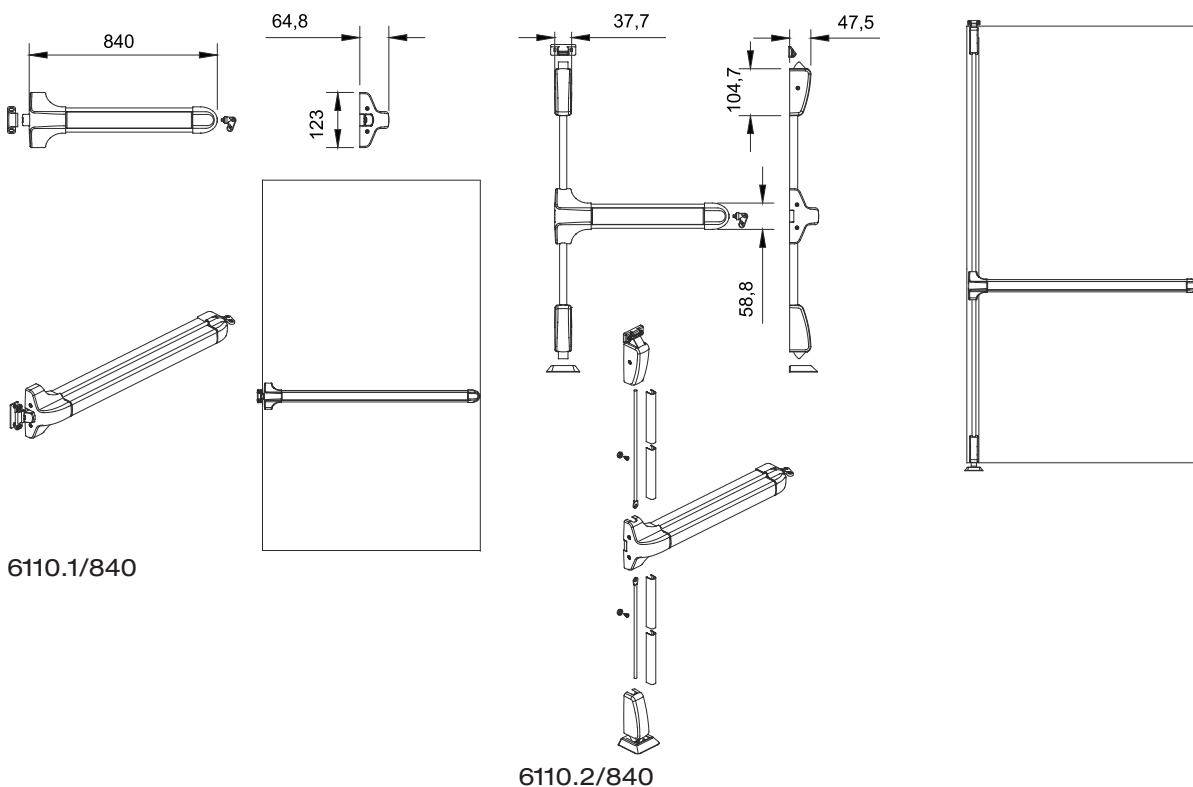
6110.2/840

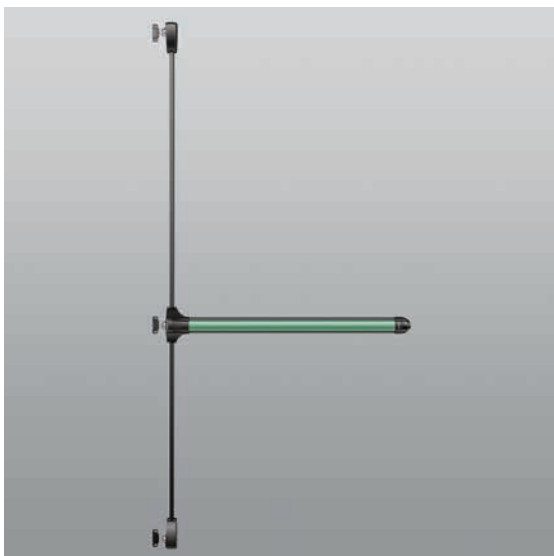
6110.1/840

code	description	finishes	pcs.
6110.1/840	(patented) Complete horizontal non-handed panic bar with 1 locking point, touch-bar type, in zamak and galvanised steel. Complete with: latch bolt in nickel plated zamak, 1 counterplate in white galvanised steel, 698 mm bar and 1 723 mm base profile in painted aluminium, 1 573 mm connecting rod in aluminium, 2 keepers in painted zamak, 4 countersunk head screws Ø 4.2x13, 4 cap screws 4.2x13, 2 socket head cap screws M5x6, 2 countersunk head screws M5x6, 1 countersunk head screw M4x8 and 2 countersunk head screws M4x5 in galvanised steel. For doors with a clear width of 437 to 860 mm and a max. height of 2450 mm.	301, 629	1
6110.2/840	(patented) Complete vertical non-handed panic bar with 2 locking points, touch-bar type, in zamak and galvanised steel. Complete with: fixation counterplates in white galvanised steel, 698 mm bar and 1 723 mm base profile in painted aluminium, 1 573 mm connecting rod in aluminium, 1 top rod + 1 bottom rod in aluminium, 1 rod cover of 1449 mm and 1 rod cover of 1037 mm in painted aluminium, 2 adjustable plugs in black galvanised zamak, 2 keepers in painted zamak, 1 keeper in painted steel, 1 floor-mounted keeper in stainless steel, 1 black nylon insert, 10 countersunk head screws Ø 4.2x13, 6 cap screws 4.2x13, 2 cap screws Ø 4.2x19, 2 socket head cap screws M5x6, 2 countersunk head screws M5x6, 1 countersunk head screw M4x8 and 8 countersunk head screws M4x5 in galvanised steel. For doors with a clear width of 437 to 860 mm and a max. height of 2450 mm.	301, 629	1

Panic-device system

Brunelleschi



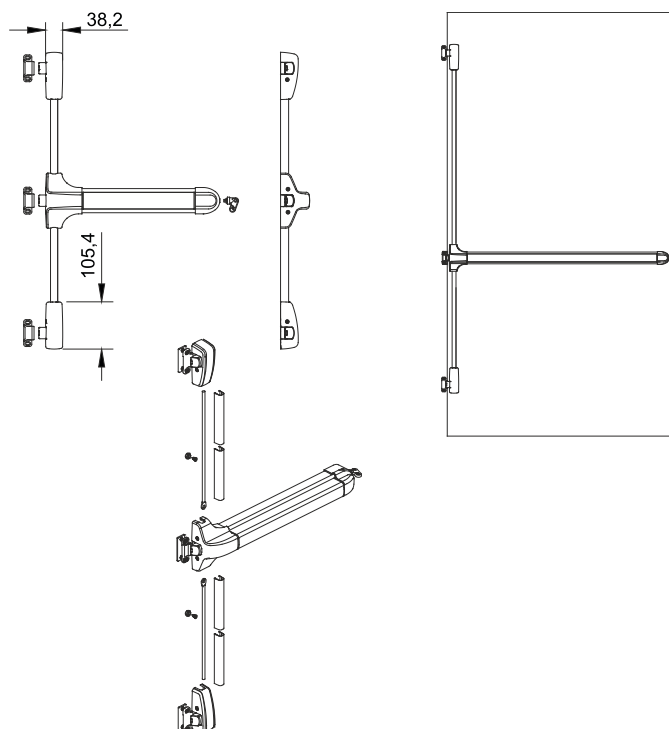


6110.3/840

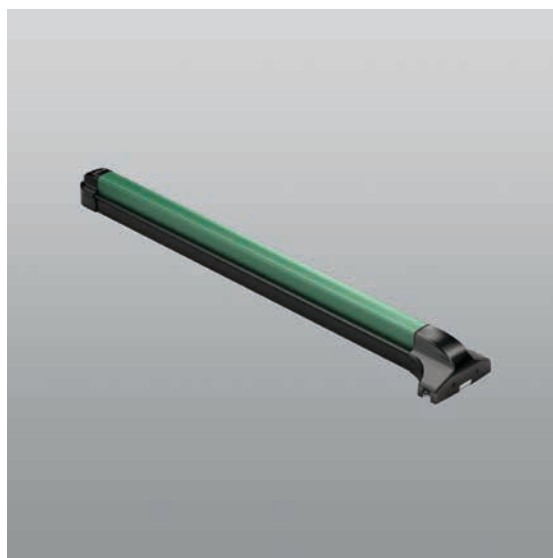
code	description	finishes	pcs.
6110.3/840	(patented) Complete vertical non-handed panic bar with 3 locking points, touch-bar type, in zamak and galvanised steel. Complete with: latch bolt in nickel plated zamak, fixation counterplates in white stainless steel, 698 mm bar and 1 723 mm base profile in painted aluminium, 1 573 mm connecting rod in aluminium, 1 top rod + 1 bottom rod in aluminium, 1 rod cover of 1449 mm and 1 rod cover of 1037 mm in painted aluminium, 2 adjustable plugs in black galvanised zamak, 6 keepers in painted zamak, 14 countersunk head screws \varnothing 4.2x13, 8 cap screws 4.2x13, 2 socket head cap screws M5x6, 6 countersunk head screws M5x6, 1 countersunk head screw M4x8 and 4 countersunk head screws M4x5 in galvanised steel. For doors with a clear width of 437 to 860 mm and a max. height of 2450 mm.	301, 629, SSV	1

Panic-device system

490 Brunelleschi



6110.3/840



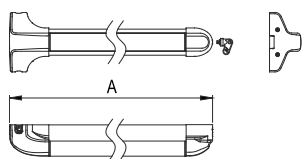
6110.702/840-6110.702/1200-6110.702/1500

code	description	finishes	pcs.
6110.702/840	(patented) Kit with non-handed vertical supports, 2 locking points, without rods and without top / bottom latch bolts, in painted zamak and galvanised steel. Complete with: 698 mm bar and 1 723 mm base profile in painted aluminium, 1 573 mm connecting rod in aluminium, 1 fixation counterplate, 4 countersunk head screws Ø 4.2x13, 2 cap screws 4.2x13, 2 socket head cap screws M5x6, 2 countersunk head screws M5x6, 1 countersunk head screw M4x8 and 2 countersunk head screws M4x5 in galvanised steel. For doors with a clear width of 437 to 860 mm and a max. height of 2450 mm.	301, 629, S31, S69	1
6110.702/1200	Like 6110.702/840 but with 1058 mm bar, 1083 mm base profile, 893 mm connecting rod and for doors with a clear width of 437 to 1220 mm.	301, 629, S31, S69	1
6110.702/1500	Like 6110.702/840 but with 1358 mm bar, 1383 mm base profile, 1193 mm connecting rod and for doors with a clear width of 437 to 1520 mm.	301, 629, S31, S69, SSV	1

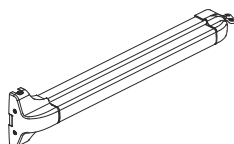
Panic-device system

Brunelleschi

491



Art.	A (mm)
6110.702/840	840
6110.702/1200	1200
6110.702/1500	1500



6110.702/840-6110.702/1200-6110.702/1500



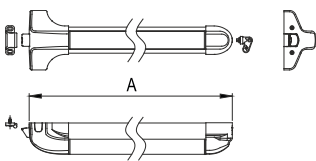
6110.703/840-6110.703/1200-6110.703/1500

code	description	finishes	pcs.
6110.703/840	(patented) Kit with non-handed supports, for simple and/or multipoint closures, without rods and without top / bottom latch bolts, in painted zamak and galvanised steel. Complete with: 698 mm bar and 1 723 mm base profile in painted aluminium, 1 573 mm connecting rod in aluminium, latch bolt in nickel plated zamak, 1 fixation counterplate in white galvanised steel, 2 keepers and 2 latch bolt caps in painted zamak, 3 nylon caps, 4 countersunk head screws Ø 4.2x13, 4 cap screws 4.2x13, 2 socket head cap screws M5x6, 2 countersunk head screws M5x6, 1 countersunk head screw M4x8 and 2 countersunk head screws M4x5 in galvanised steel. For doors with a clear width of 437 to 860 mm and a max. height of 2450 mm.	301, 629, S31, S69	1
6110.703/1200	Like 6110.703/840 but with 1058 mm bar, 1083 mm base profile, 893 mm connecting rod and for doors with a clear width of 437 to 1220 mm.	301, 629, S31, S69	1
6110.703/1500	Like 6110.703/840 but with 1358 mm bar, 1383 mm base profile, 1193 mm connecting rod and for doors with a clear width of 437 to 1520 mm.	301, 629, S31, S69, SSV	1

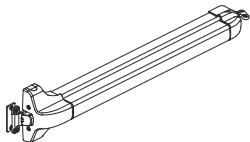
Panic-device system

492

Brunelleschi



Art.	A (mm)
6110.703/840	840
6110.703/1200	1200
6110.703/1500	1500



6110.703/840-6110.703/1200-6110.703/1500

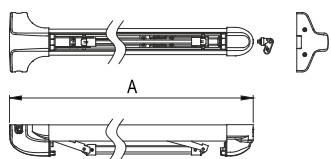


6110.712/840-6110.712/1300

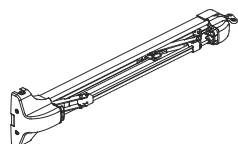
code	description	finishes	pcs.
6110.712/840	(patented) Kit with non-handed vertical supports, 2 locking points, without touch bar, without rods and without top / bottom latch bolts, in painted zamak and galvanised steel. Complete with: 1 723 mm base profile in painted aluminium, 1 573 mm connecting rod in aluminium, 1 fixation counterplate, 4 countersunk head screws Ø 4.2x13, 2 cap screws 4.2x13, 2 socket head cap screws M5x6, 2 countersunk head screws M5x6, 1 countersunk head screw M4x8 and 2 countersunk head screws M4x5 in galvanised steel. For doors with a clear width of 437 to 860 mm and a max. height of 2450 mm.	905, 910, SLV	1
6110.712/1300	Like 6110.712/840 but with 1183 mm base profile, 1033 mm connecting rod and for doors with a clear width of 437 to 1320 mm.	905, 910, SLV	1

Panic-device system

Brunelleschi 493



Art.	A (mm)
6110.712/840	840
6110.712/1300	1300



6110.712/840-6110.712/1300

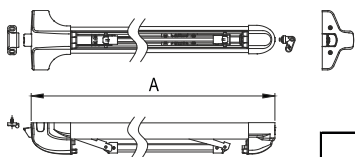


6110.713/840-6110.713/1300

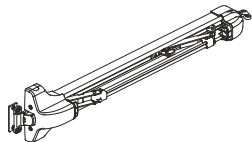
code	description	finishes	pcs.
6110.713/840	(patented) Kit with non-handed vertical supports, for simple and/or multipoint closures, in painted zamak and galvanised steel. Complete with: 1 723 mm base profile in painted aluminium, 1 573 mm connecting rod in aluminium, latch bolt in nickel plated zamak, 1 fixation counterplate in white galvanised steel, 2 keepers in galvanised zamak, 4 countersunk head screws Ø 4.2x13, 4 cap screws 4.2x13, 2 socket head cap screws M5x6, 2 countersunk head screws M5x6, 1 countersunk head screw M4x8 and 2 countersunk head screws M4x5 in galvanised steel. For doors with a clear width of 437 to 860 mm and a max. height of 2450 mm.	905, 910, SLV	1
6110.713/1300	Like 6110.713/840 but with 1183 mm base profile, 1033 mm connecting rod and for doors with a clear width of 437 to 1320 mm.	905, 910, SLV	1

Panic-device system

494 **Brunelleschi**



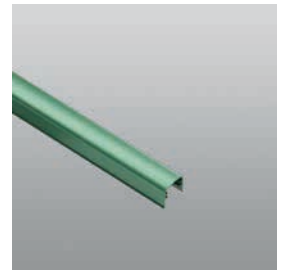
Art.	A (mm)
6110.713/840	840
6110.713/1300	1300



6110.713/840-6110.713/1300



6110.842

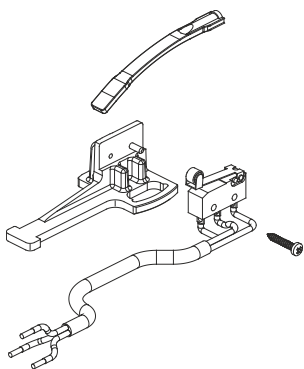


6110.B/698
6110.B/1158



code	description	finishes	pcs.
6110.B/698	Horizontal 698 mm bar for art. 6110.712/840 and 6110.713/840, in painted aluminium. For doors with a clear width of 437 to 860 mm.	301, 629, 905, 910, SLV	1
6110.B/1158	Horizontal 1158 mm bar for art. 6110.712/1300 and 6110.713/1300, in painted aluminium. For doors with a clear width of 437 to 1320 mm.	301, 629, 905, 910, SLV, XSD	1
6110.842	1 Microswitch, 1 support and 1 button in black nylon , 1 cap screw Ø 2.2x13 in galvanised steel, for BRUNELLESCHI panic bars. For doors with a clear minimum width of 485 mm.		5

Panic-device system



6110.842



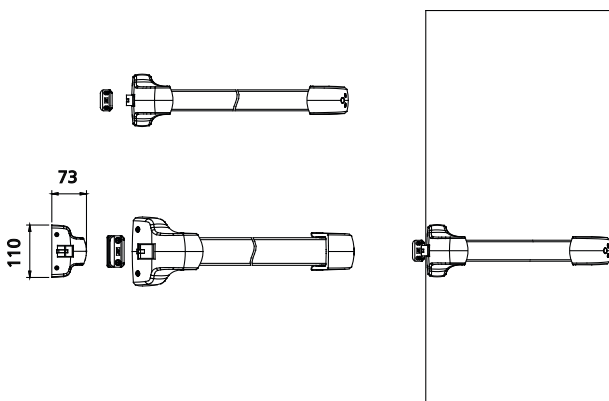
6100.99/108



6100.1/1085

code	description	finishes	pcs.
6100.1/1085	(patented) Horizontal non-handed panic bar with 1 locking point in zamak and galvanized steel. Complete with: latch bolt in nickel plated zamak, counter-plates in white galvanized steel, 1085 mm bar in painted aluminium complete with black nylon gasket for aesthetical reasons, 1 keeper in painted steel, 8 countersunk head screws \varnothing 4.2x13, 2 cap screws \varnothing 4.2x19, 12 countersunk head screws M4x5 and 2 countersunk head screws M4x16 in black galvanized steel, 4 grub screws M6x8 in white galvanized steel and 1 grub screw fitting jig in black nylon. For doors with a clear width of 800 to 1240 mm and a max. height of 2450 mm.	3001, 6029	1
6100.99/108	Like 6100.1/1085 but with supports and bar in the same finish.	9005, 9010, GREY	1

Panic-device system



6100.1/1085-6100.99/108



6100.98/108



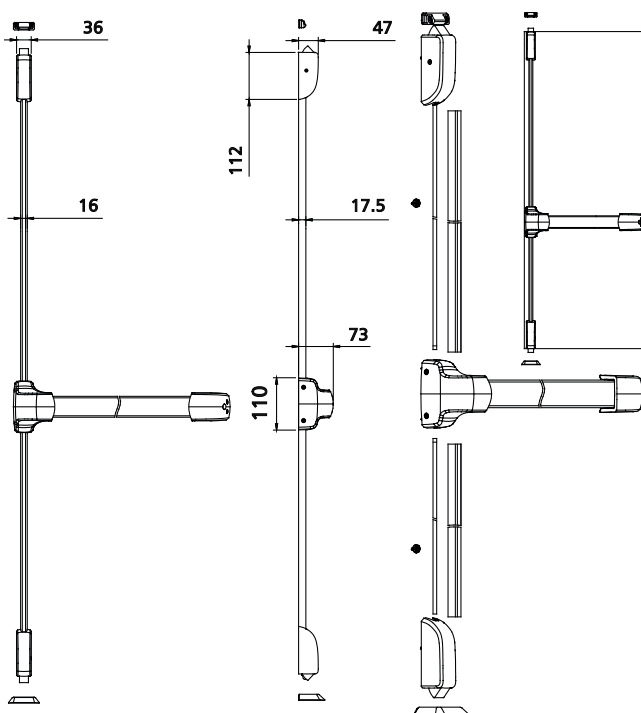
6100.2/1085



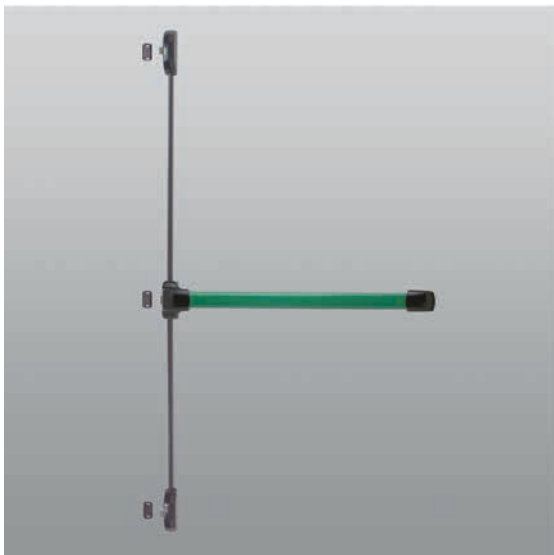
code	description	finishes	pcs.
6100.2/1085	(patented) Vertical non-handed panic bar with 2 locking points in zamak and galvanized steel. Complete with: counterplates in white galvanized steel, 1085 mm bar in painted aluminium complete with black nylon gasket for aesthetical reasons, 1 floor-mounted keeper in stainless steel, 1 black nylon insert, 1 upper rod and 1 lower rod in aluminium, 1 rod cover 1395 mm and 1 rod cover 1037 mm in painted aluminium, 2 adjustable plugs in black galvanised zamak, 1 keeper in painted steel, 6 countersunk head screws Ø 3.9x13 in white galvanized steel, 8 countersunk head screws Ø 4.2x13, 2 cap screws Ø 4.2x19, 4 cap screws Ø 4.2x9.5, 18 countersunk head screws M4x5 and 2 countersunk head screws M4x16 in black galvanized steel, 4 grub screws M6x8 in white galvanized steel, 1 grub screw fitting jig in black nylon. For doors with a clear width of 800 to 1240 mm and a max. height of 2450 mm.	3001, 6029	1
6100.98/108	Like 6100.2/1085 but with supports, covers and bar in the same finish.	9005, 9010, GREY, SILV	1

Panic-device system

Cellini 497



6100.2/1085-6100.98/108



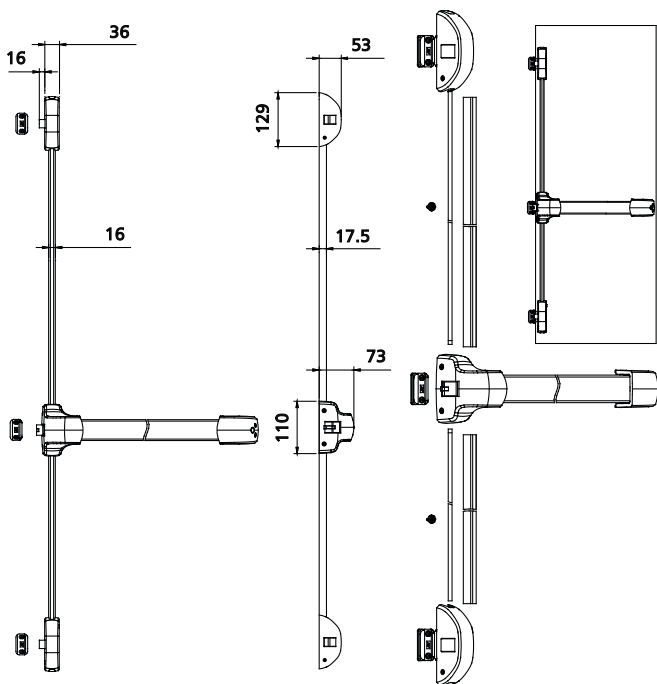
6100.97/108



6100.3/1085

code	description	finishes	pcs.
6100.3/1085	(patented) Vertical non-handed panic bar with 3 locking points in zamak and galvanized steel. Complete with: latch bolt in nickel plated zamak, counterplates in white galvanized steel, 1085 mm bar in painted aluminium complete with black nylon gasket for aesthetical reasons, 1 upper rod + 1 lower rod in aluminium, 1 rod cover 1395 mm and 1 rod cover 1037 mm in painted aluminium, 2 adjustable plugs in black galvanized zamak, 3 keepers in painted steel, 10 countersunk head screws Ø 3.9x13 in white galvanized steel, 8 countersunk head screws Ø 4.2x13, 6 cap screws Ø 4.2x19, 24 countersunk head screws M4x5 and 2 countersunk head screws M4x16 in black galvanized steel, 4 grub screws M6x8 in white galvanized steel, 1 grub screw fitting jig in black nylon. For doors with a clear width of 800 to 1240 mm and a max. height of 2450 mm.	3001, 6029	1
6100.97/108	Like 6100.3/1085 but with supports, covers and bar in the same finish.	9005, 9010, GREY, SILV	1

Panic-device system



6100.3/1085-6100.97/108



6100.703



6100.702



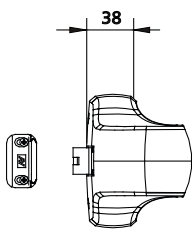
6100.701



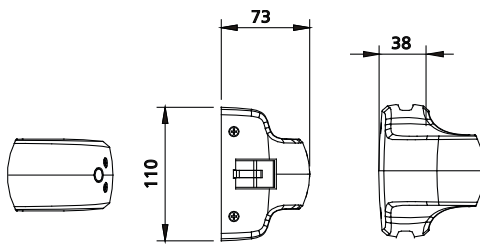
code	description	finishes	pcs.
6100.701	(patented) Kit with horizontal non-handed supports, one locking point in painted zamak and galvanised steel. Including: latch bolt in nickel plated zamak, counterplates and 4 grub screws M6x8 in white galvanised steel, 1 keeper in painted steel, 8 countersunk head screws Ø 4.2x13, 2 cap screws Ø 4.2x19, 12 countersunk head screws M4x5 and 2 countersunk head screws M4x16 in black galvanised steel, 1 grub screw fitting jig in black nylon (for finishes 9006/9010: 8 countersunk head screws M4x5 in black galvanised steel, 4 countersunk head screws M4x6 and 2 countersunk head screws M4x16 in stainless steel).	9005, 9010, GREY, PVD X, SILV	1
6100.702	(patented) Kit with vertical non-handed supports, two locking points in painted zamak and galvanised steel. Including: counterplates and 4 grub screws M6x8 in white galvanised steel, 8 countersunk head screws Ø 4.2x13, 12 countersunk head screws M4x5, 2 countersunk head screws M4x16 in black galvanised steel, 1 grub screw fitting jig in black nylon (for finishes 9006/9010: 8 countersunk head screws M4x5 in black galvanised steel, 4 countersunk head screws M4x6 and 2 countersunk head screws M4x16 in stainless steel).	1013, 9005, 9010, GREY, SILV	1
6100.703	Like 6100.701 but non-handed and with three locking points.	1013, 9005, 9010, GREY, PVD X, SILV	1

Panic-device system

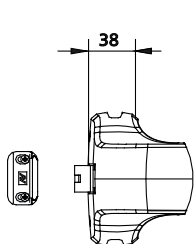
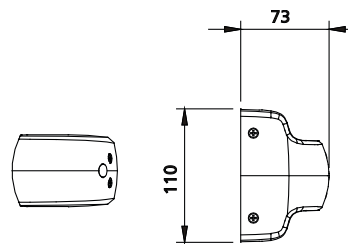
Cellini 499



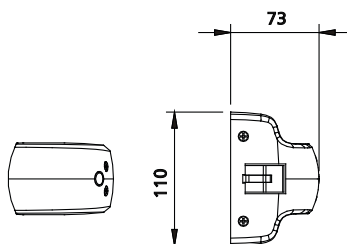
6100.701



6100.702



6100.703





6100.B/745
6100.B/1085
6100.B/1385



6100.830



6100.840



code	description	finishes	pcs.
6100.B/745	Horizontal 745 mm bar in painted or anodized aluminium, complete with black nylon gasket for aesthetical reasons. For doors with leaf from 800 to 900 mm.	3001, 6029, 9010, XSD	1
6100.B/1085	Like 6100.B/745 but of 1085 mm and for doors with leaf from 800 to 1240 mm.	1013, 3001, 6029, 9005, 9010, C, GREY, SILV, XSD	1
6100.B/1385	Like 6100.B/745 but of 1385 mm and for doors with leaf up to 1540 mm.	3001, 6029, 9005, 9010, C, GREY, HL, SILV, XL, XSD	1
6100.830	Dogging mechanism in black nylon, 1 cap screw Ø 4.2x13 in white galvanised steel.		5
6100.840	"T" shaped cover secondary support in painted zamak.	9005, 9010, SILV	1

Panic-device system



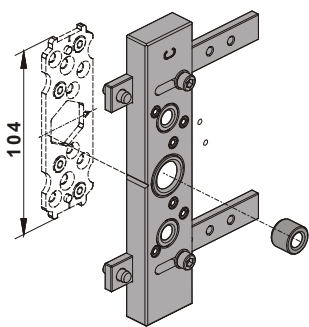
6100.950



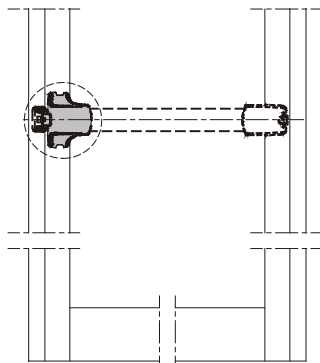
6100.890

code	description	finishes	pcs.
6100.890	CELLINI exit sign plate.		10
6100.950	Aluminium drilling jig for main support of CELLINI panic device.		1

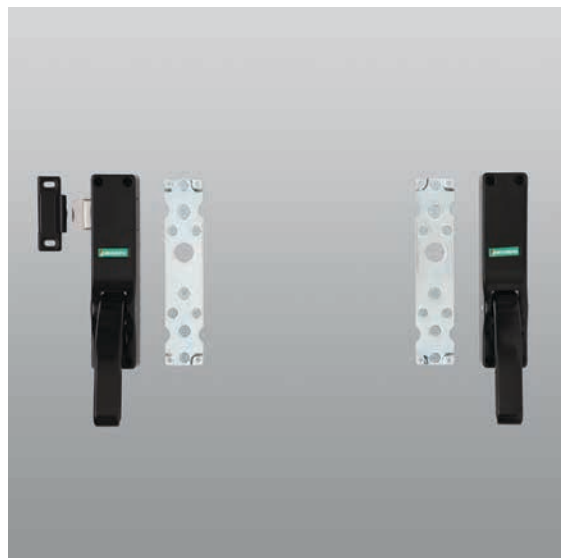
Panic-device system



6100.1/1085 - 6100.701
 6100.2/1085 - 6100.702
 6100.3//1085 - 6100.703



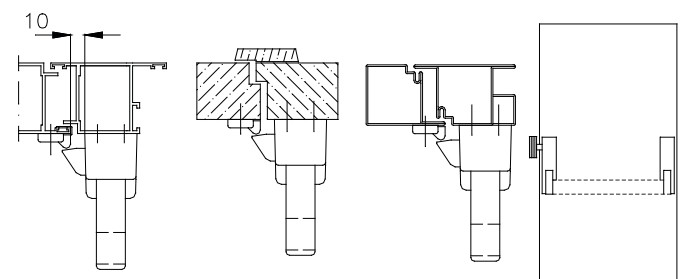
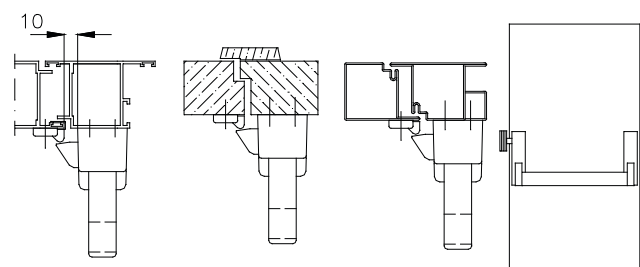
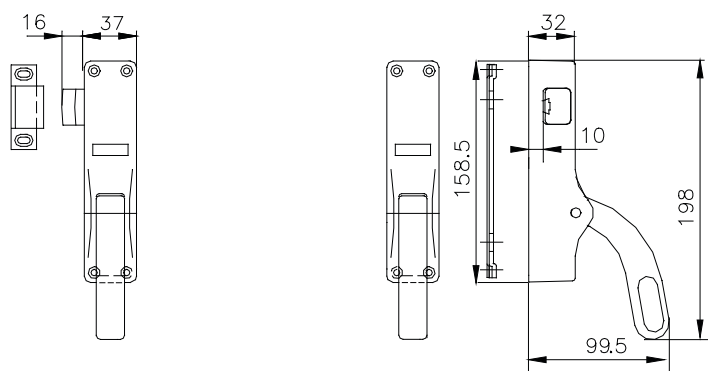
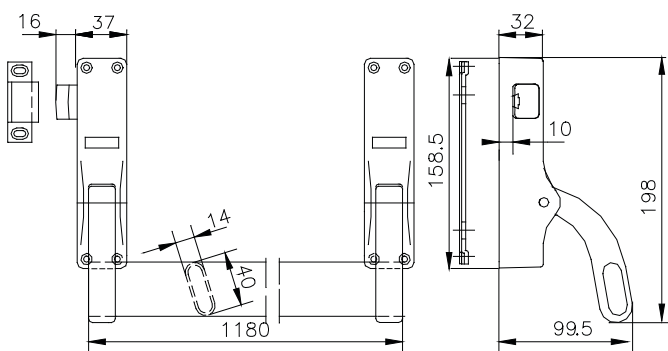
6100.950



code	description	finishes	pcs.
KH	(patented) Reversible horizontal panic device in die-cast aluminium, zamak and steel, 2 cap screws $\varnothing 4.2 \times 13$, 8 countersunk head screws $\varnothing 4.2 \times 13$, 8 countersunk head screws M4x30 in galvanized steel. Complete with green bar 1180 mm and galvanized steel fixing counterplates. Max width of doors 1240 mm.		1
KH.11	Like KH but without bar.		1

Panic-device system

502 Circeo



KH

KH.11



KH.21

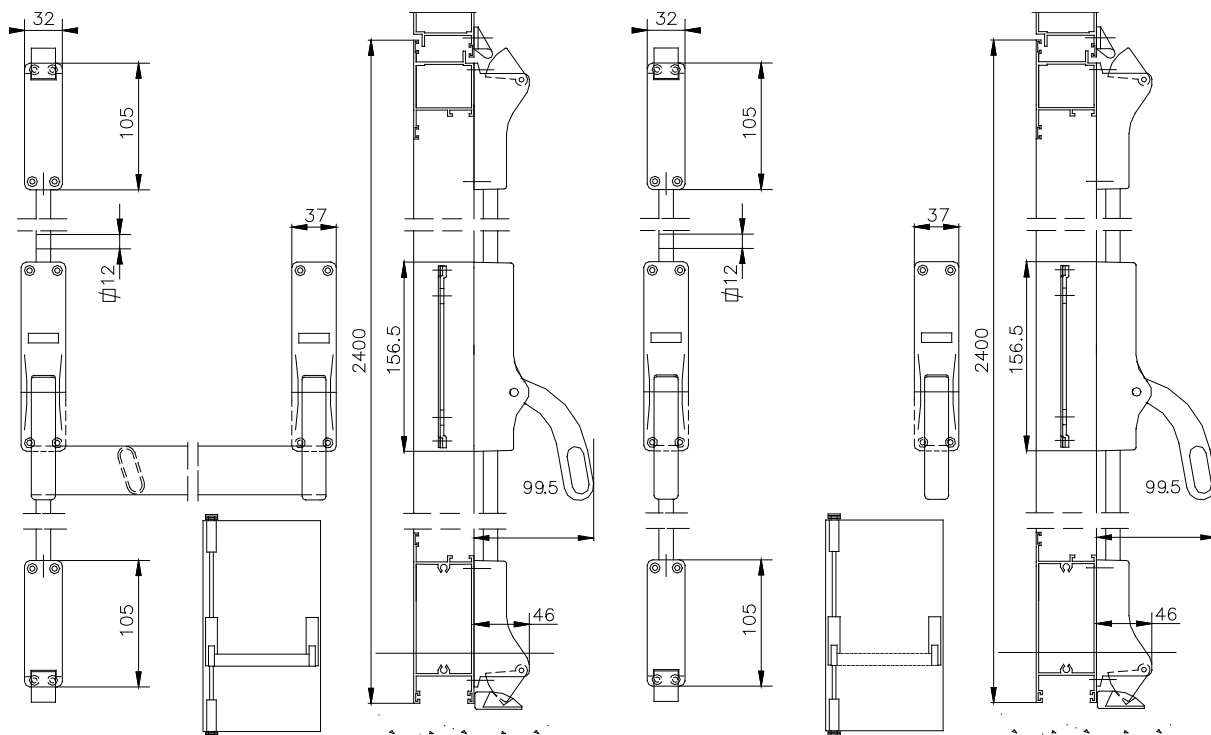


KH.2

code	description	finishes	pcs.
KH.2	(patented) Non-handed vertical panic device in die-cast aluminium, zamak, steel and bronze, 2 countersunk head screws M4x8, 2 cap screws Ø 4,2x13, 12 countersunk head screws Ø4,2x13, 4 countersunk head screws Ø 4,2x38, 8 countersunk head screws M4x30 in galvanized steel. Complete with green bar 1180 mm, black painted upper rod 1250 mm, black painted lower rod 900 mm and galvanized steel fixing counterplates. Max width of doors 1240 mm and max height 2400 mm.		1
KH.21	Like KH.2 but without bar.		1

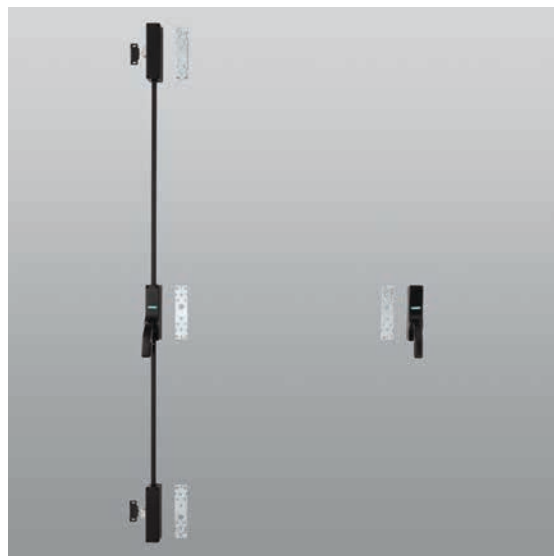
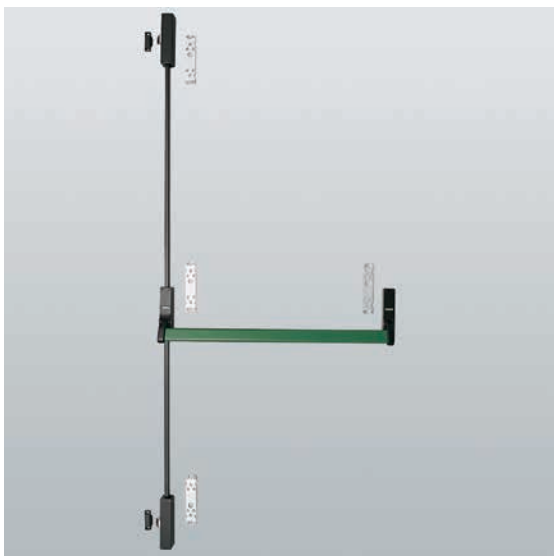
Panic-device system

Circeo 503



KH.2

KH.21



KH.3

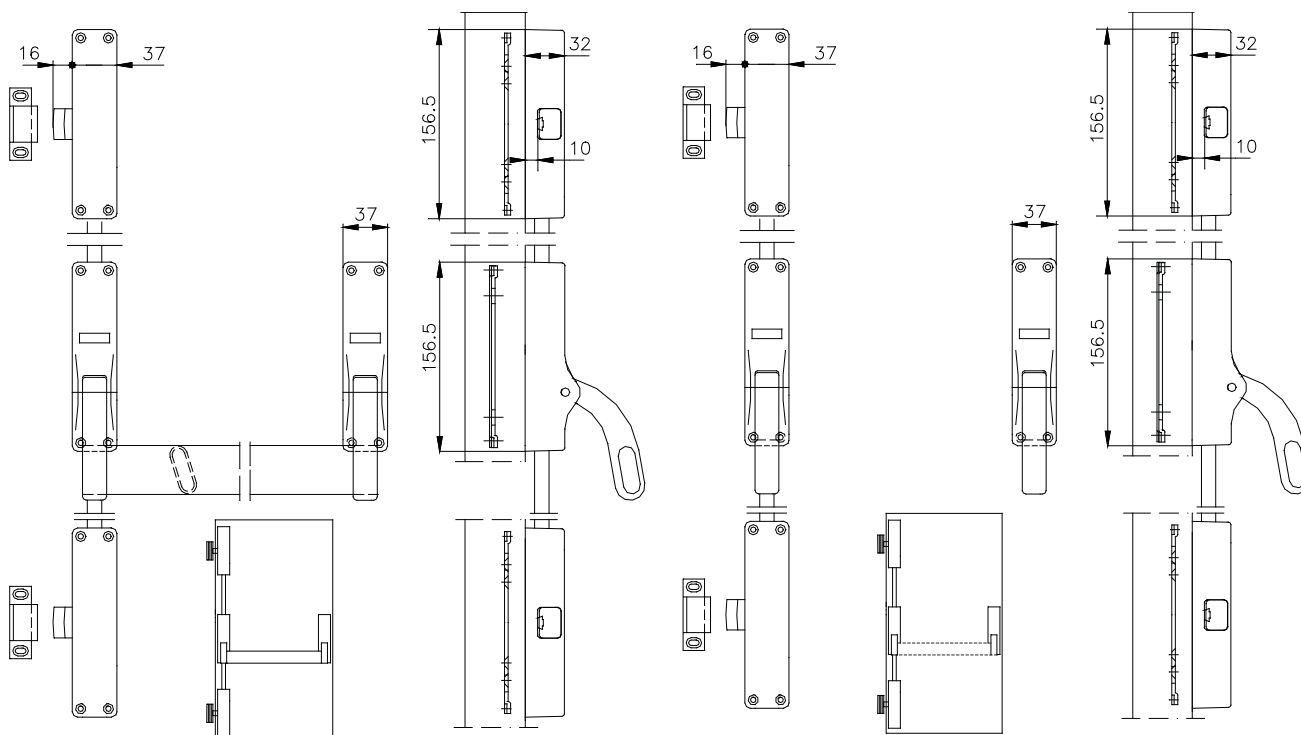
KH.31

code	description	finishes	pcs.
KH.3	(patented) Non-handed vertical panic handle with lateral closing, in die-cast aluminium, zamak and steel, 4 cap screws Ø 4,2x13, 16 countersunk head screws Ø 4,2x13, 16 countersunk head screws M4x30 in galvanized steel. Complete with green bar 1180 mm, black painted upper rod 1250 mm, black painted lower rod 900 mm and galvanized steel fixing counterplates. Max width of doors 1240 mm and max height 2400 mm.		1
KH.31	Like KH.3 but without bar.		1

Panic-device system

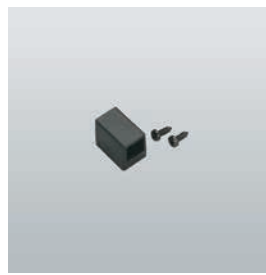
504

Circeo



KH.3

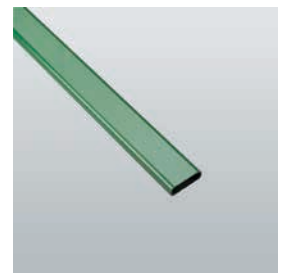
KH.31



KH.P



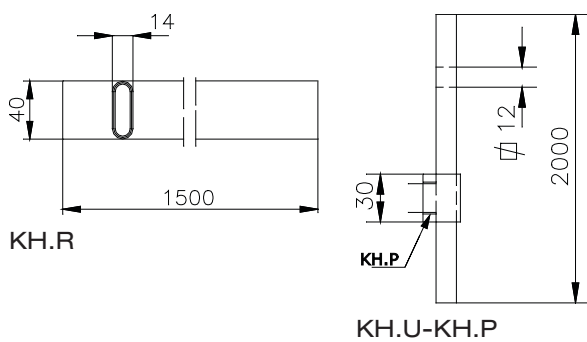
KH.U



KH.R

code	description	finishes	pcs.
KH.R	Horizontal bar (150 cm) in powder-coated steel (max width of doors 156 cm).	3001, 9005	1
KH.U	Vertical rod (200 cm) in polished steel (max height of doors 310 cm).		1
KH.P	Nylon through-guide for vertical rods, 2 cap screws Ø 4,2x13 in black galvanized steel.		20

Panic-device system





KH.C-KH.CU

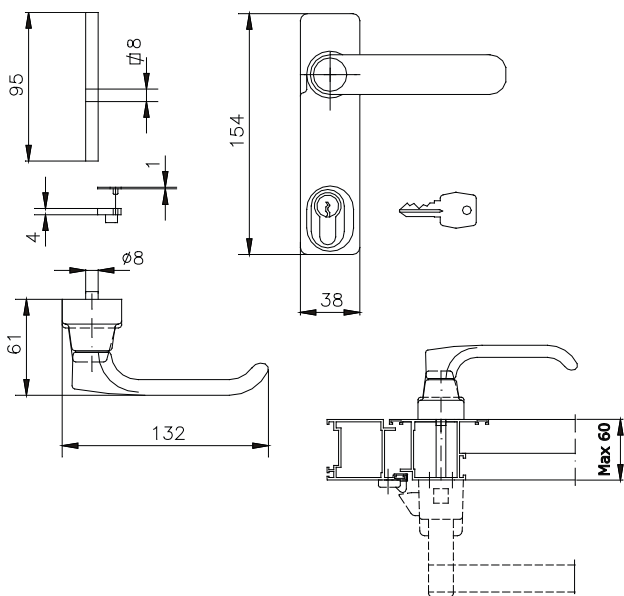


KH.CS

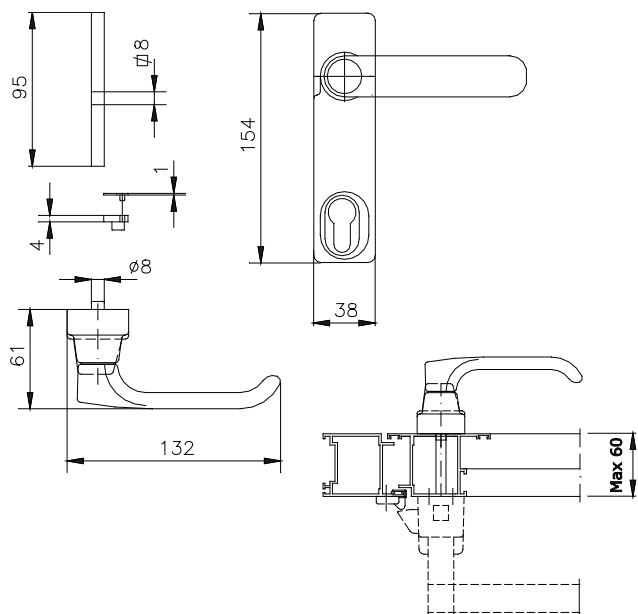
code	description	finishes	pcs.
KH.C	Non-handed external access handle with european-shaped safety cylinder. Support and handle in black polished zamak, brass cylinder with 3 nickel-plated keys, square spindle and crinkle washer in galvanized steel, 2 spacers and screw cup in black nylon, 1 socket head cap screw M6x16 and 2 countersunk head screws M5x70 in galvanized steel.		1
KH.CU	Like KH.C but mit 3 keys (same code).	GREY	1
KH.CS	Like KH.C but without cylinder.		1

Panic-device system

506



KH.C-KH.CU



KH.CS



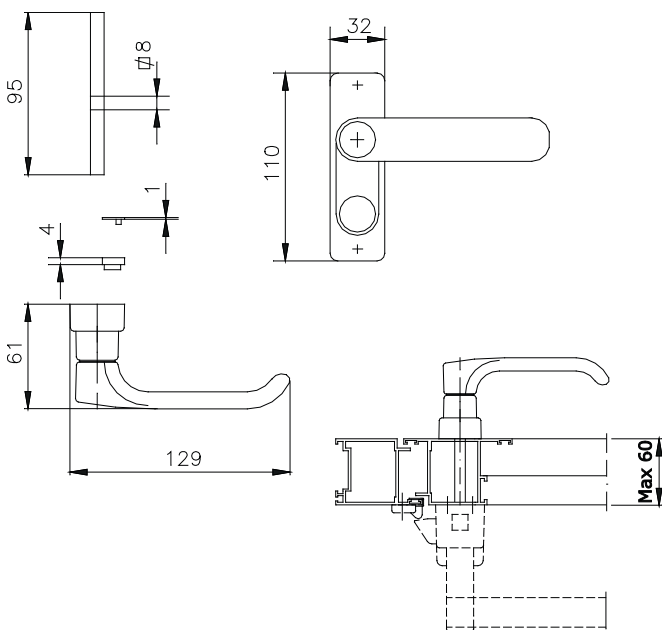
KH.BB-KH.BBU



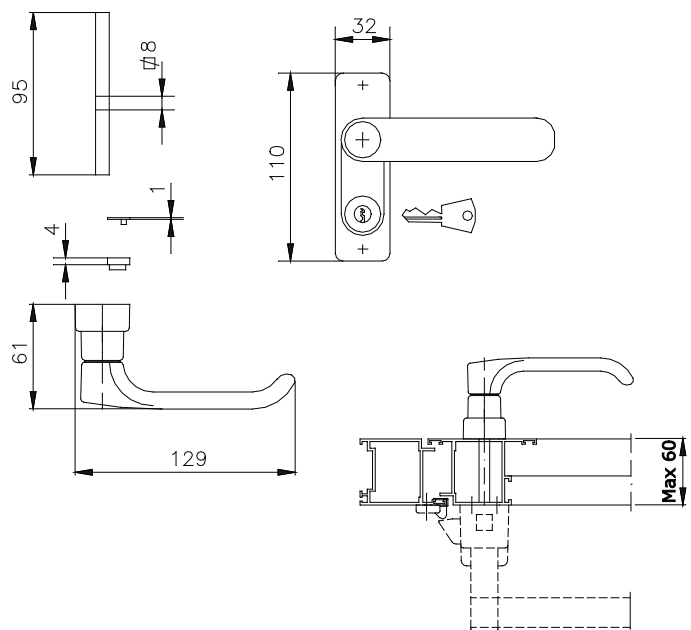
KH.AA

code	description	finishes	pcs.
KH.AA	Non-handed external access handle. Support and handle in black polished zamak, square spindle and crinkle washer in galvanized steel, 2 spacers and screw cup in black nylon, 1 socket head cap screw M6x16 and 2 countersunk head screws M5x70 in galvanized steel.		1
KH.BB	Non-handed external access handle with safety cylinder. Support and handle in black polished zamak, brass cylinder with 3 nickel-plated keys, square spindle and crinkle washer in galvanized steel, 2 spacers and screw cup in black nylon, 1 socket head cap screw M6x16 and 2 countersunk head screws M5x70 in galvanized steel.		1
KH.BBU	Like KH.BB but mit 3 keys (same code).		1

Panic-device system



KH.AA



KH.BB-KH.BBU



KH.F



KH.G

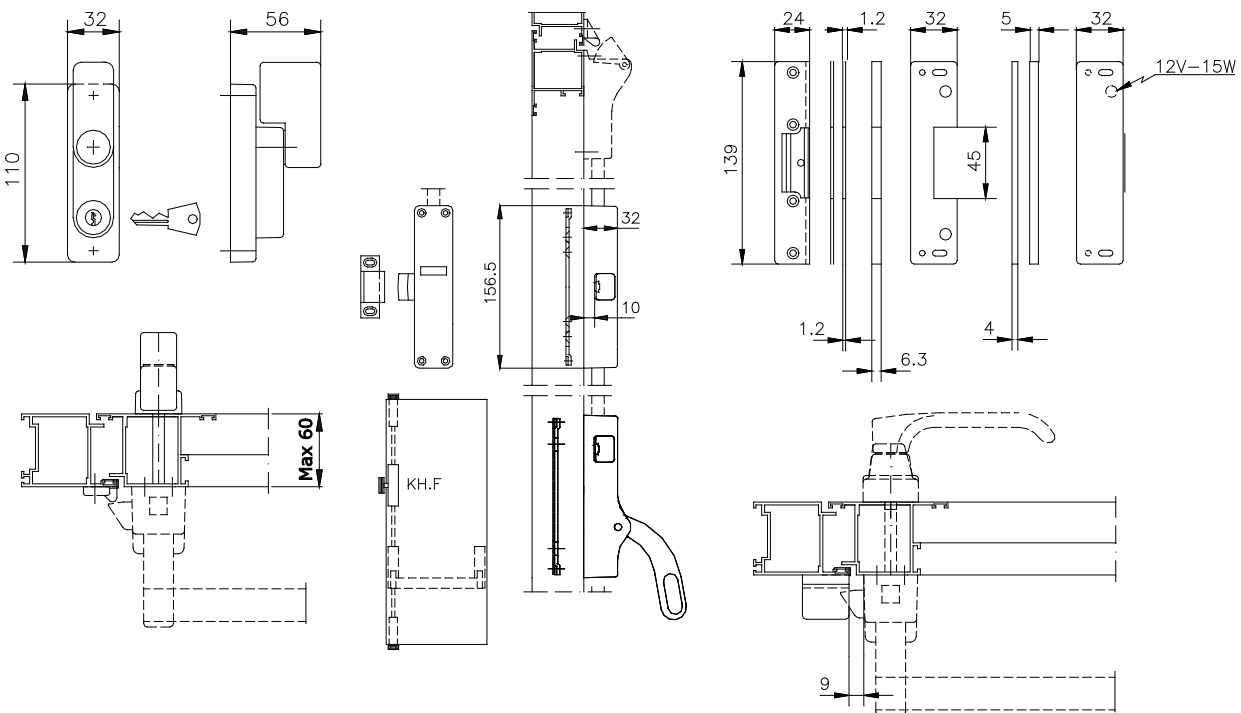


KH.E

code	description	finishes	pcs.
KH.E	Non-handed external access handle with safety cylinder. Support and handle in black polished zamak, brass cylinder with 3 nickel-plated keys, square spindle and crinkle washer in galvanized steel, 2 spacers and screw cup in black nylon, 1 socket head cap screw M6x16 and 2 countersunk head screws M5x70 in galvanized steel.		1
KH.F	Non-handed third locking point, support in black polished aluminium, latch in nickel-plated zamak and pre-assembled self-lubricating plastic pad, fixing counterplate in galvanized steel, 2 keepers in black polished zamak, nylon cover ledge, 2 cap screws Ø 4,2x13, 4 countersunk head screws Ø 4,2x13, 4 countersunk head screws M4x30 in black galvanized steel.		1
KH.G	Electrical keeper for art. KH in black polished aluminium; base and 4 screws in galvanized steel, spacer in black nylon. Electrical feed: 12 V CC - 15 W.		1

Panic-device system

508



KH.E

KH.F

KH.G



6000.899



KH.Y



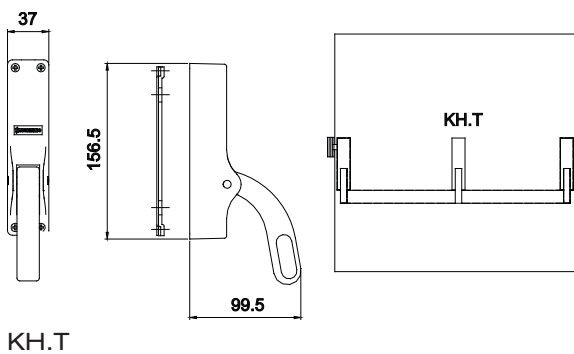
KH.TS



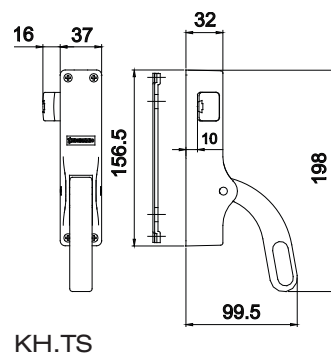
KH.T

code	description	finishes	pcs.
KH.T	Intermediate support in zamak, die-cast metal and galvanized steel, 4 countersunk head screws $\varnothing 4,2 \times 13$ and 4 countersunk head screws M4x30 in black galvanized steel.		1
KH.TS	Main support for art. KH, but without counterplate, 4 countersunk head screws M4x30 in black galvanized steel.		1
KH.Y	Signaling panel in italian language (245x175 mm).		10
KH.Z	KH CIRCEO panel.		1
6000.899	Handle rotation limiter device in galvanized zamak. To use BERNINI and JUVARRA external handles on CIRCEO panic device.		20

Panic-device system



KH.T



KH.TS