

RYOBI®



REGISTERED TO
ISO 9002
CERTIFICATE
NO. A5324



EN1154 (Inc. EN1634 part.1)



Surface Mounted
Door Closer

RYOBI 8800 SERIES

The design and build quality of the 8800 series should ensure that the closer performs the perfect basic function and provide a lifetime of trouble free service by combining the finest materials and the latest production technology. The 8800 series range includes model which has been successfully type tested for conformity to all of the requirements of EN1154 and EN1634 Part. 1. As the world

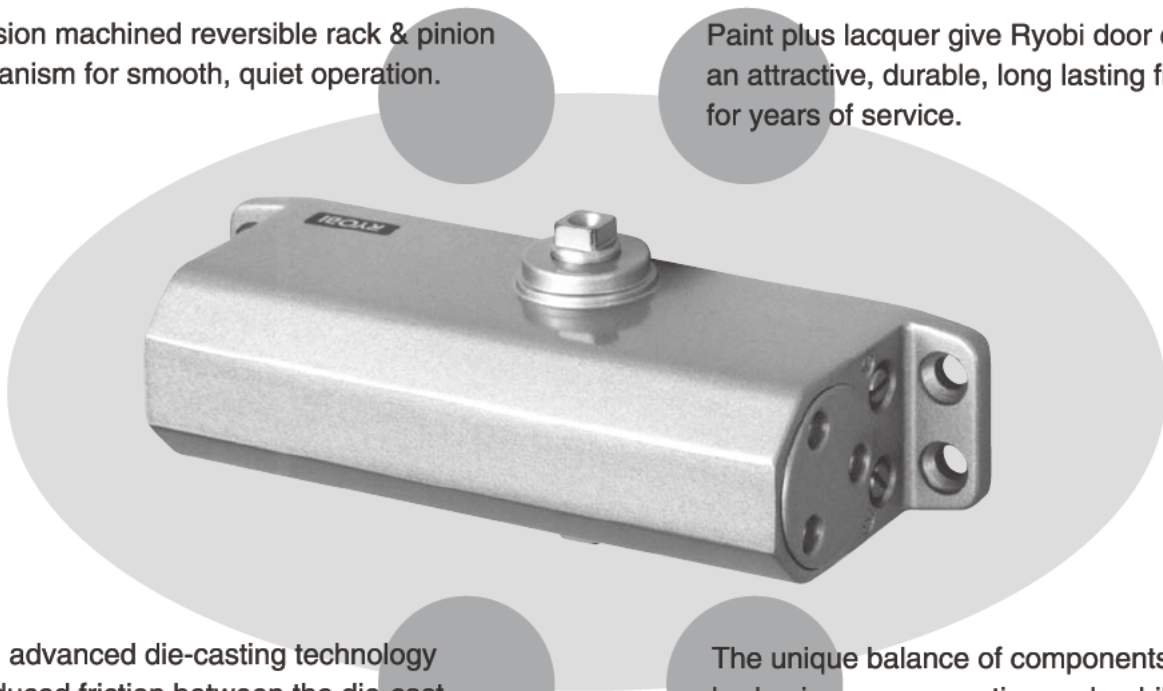
leader in Aluminium die-casting, Ryobi's vast experience in advanced engineering technology has been fully utilised in the design and production of the 8800 series. Ryobi proudly designs its wealth of experience into the production of compact door closer. In the pursuit of excellence, Ryobi leads the way.

APPLICATION

SIZE	TYPE OF BODY	STANDARD APPLICATION				PARALLEL APPLICATION				MAX. DOOR WEIGHT	MAX. DOOR WIDTH
		WITHOUT HOLD-OPEN		WITH HOLD-OPEN		WITHOUT HOLD-OPEN		WITH HOLD-OPEN			
		WITHOUT COVER	WITH COVER	WITHOUT COVER	WITH COVER	WITHOUT COVER	WITH COVER	WITHOUT COVER	WITH COVER		
2	Without backcheck	8802	8852	S-8802	S-8852	8802P	8852P	S-8802P	S-8852P	≤45KG	≤900MM
	With backcheck	8802BC	8852BC	S-8802BC	S-8852BC	8802PBC	8852PBC	S-8802PBC	S-8852PBC		
3	Without backcheck	8803	8853	S-8803	S-8853	8803P	8853P	S-8803P	S-8853P	≤65KG	≤965MM
	With backcheck	8803BC	8853BC	S-8803BC	S-8853BC	8803PBC	8853PBC	S-8803PBC	S-8853PBC		
To EN1154 size 3	Without backcheck	8803 EN	8853 EN	-	-	-	-	-	-	≤60KG	≤950MM
	With backcheck	-	-	-	-	-	-	-	-		

Precision machined reversible rack & pinion mechanism for smooth, quiet operation.

Paint plus lacquer give Ryobi door closers an attractive, durable, long lasting finish, for years of service.

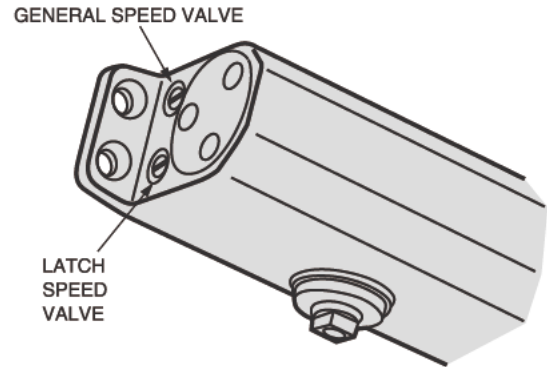
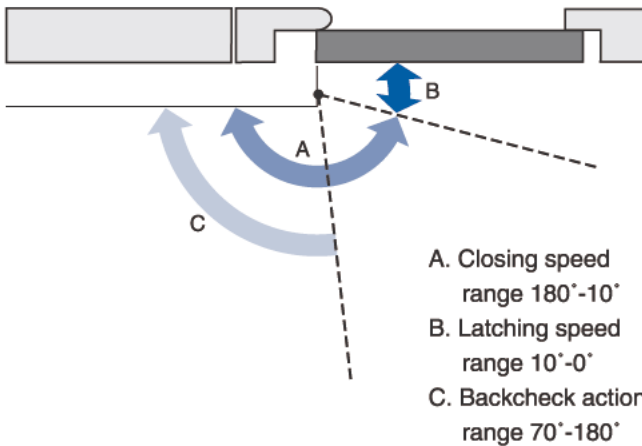


Ryobi advanced die-casting technology for reduced friction between the die-cast aluminium body and the precision machined rack & piston mechanism, for longer trouble free service.

The unique balance of components to body size ensures optimum durability and extended operational life.

■ FULL HYDRAULIC CONTROL

Controls the door through the entire opening and closing cycles by providing adjustable backcheck upon opening and adjustable general and latch speed through the closing cycle.



FEATURE

■ HIGH DURABILITY

Ryobi door closers are manufactured using high strength pressure die-cast aluminium body's, precision machined components and reversible rack & pinion mechanism. Each model is tested to 500,000 opening / closing cycles to guarantee extended trouble free service.

■ EASY INSTALLATION

Installation is made quick and easy by using the mounting template. Ryobi door closers are available as standard, parallel or top jam mounting to satisfy every need.

■ ADJUSTMENT

Closing and latching speeds are quickly adjusted to suit your individual need by rotating the two speed control valves.

■ VARIOUS FINISH

Ryobi door closers are available in ; SILVER, DARK BRONZE, METALIC LEMON GOLD, BLACK, or WHITE finishes. POLISHED GOLD AND POLISHED SILVER are available for 8852 and 8853. Ryobi door closers may also be painted to match custom colors.

■ PERIODIC MAINTENANCE

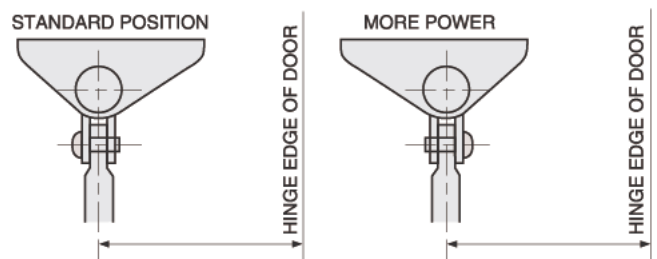
None required other than to check security of fixings on a regular basis.

■ OPTIONAL ADJUSTABLE BACKCHECK

A backcheck feature set and adjusted by an independent valve. When introduced the backcheck stalls the opening of the door around 70 degrees. When doors are violently opened by pedestrians or wind, the backcheck feature reduces the likelihood of damage should contact be made with an adjacent wall or obstacle.

■ LATCHING POWER ADJUSTMENT

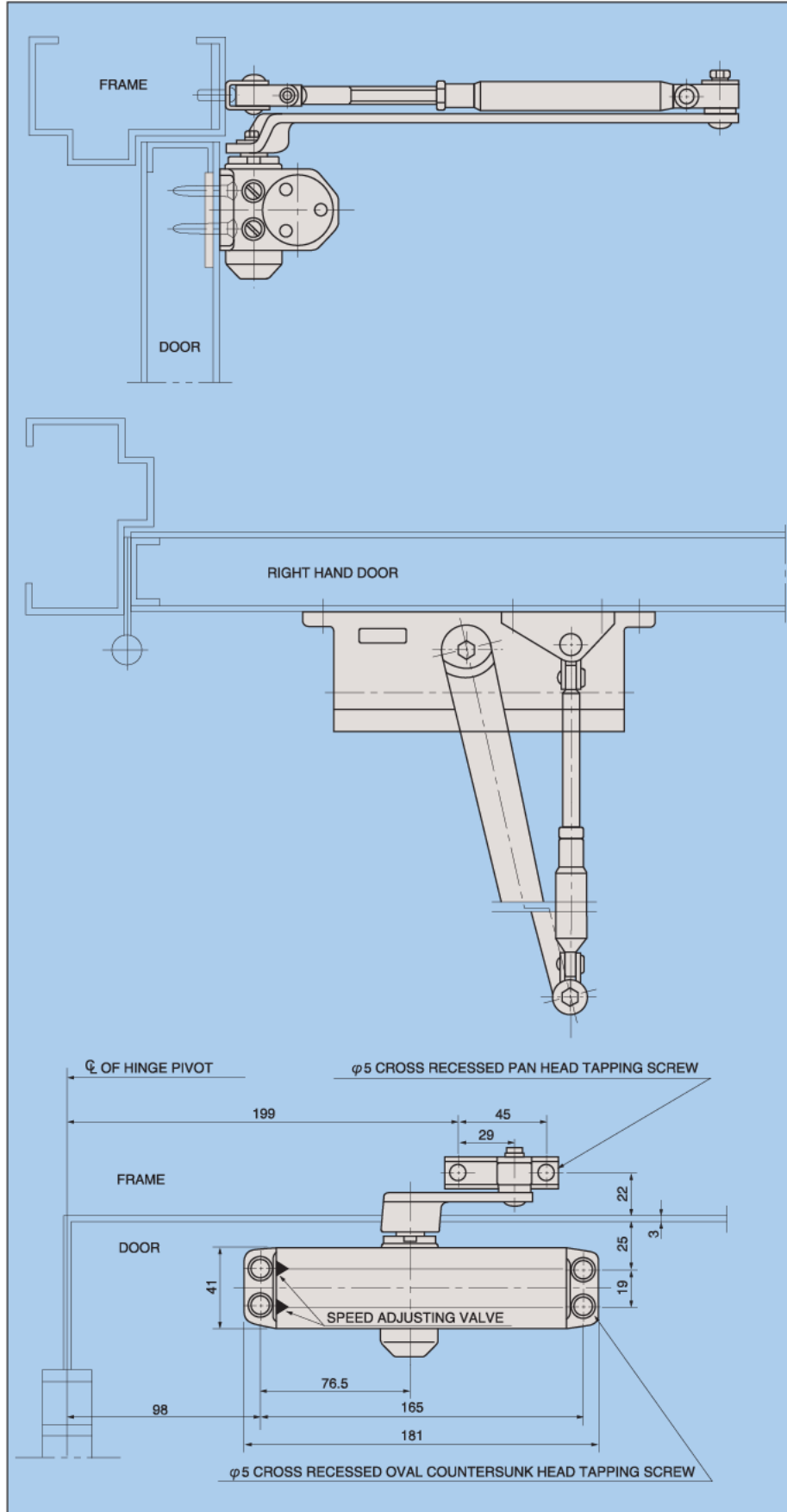
By changing the position of the frame arm on the foot bracket closing force at the latch can be increased or decreased. This can be achieved with the foot bracket in position.



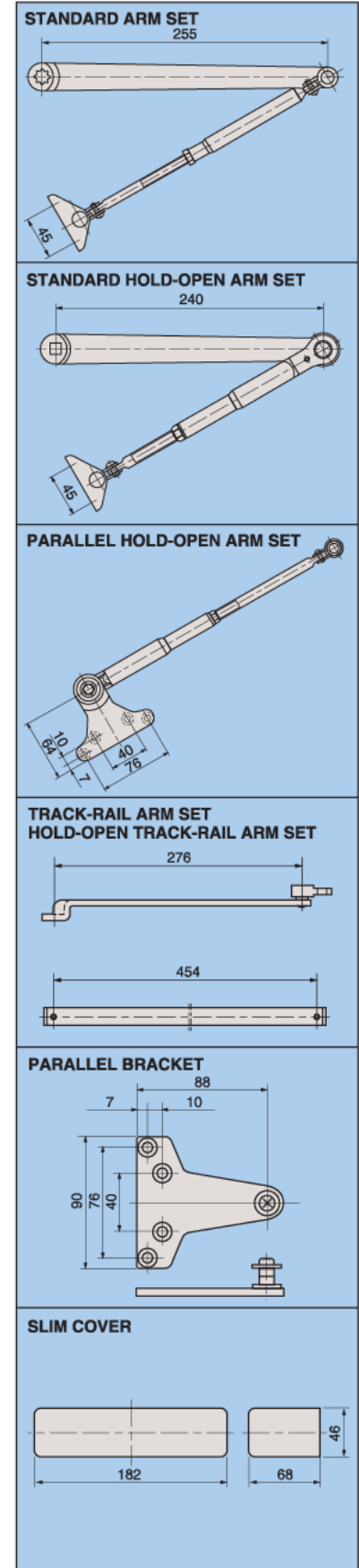
■ OPTIONAL HOLD-OPEN

The non handed, optional hold open arm allows the door to be held open at any angles between 70 and 180 degrees. The serration type cam never allows a door to fall back. The cam and bearing type hold open mechanism ensures adequate hold open force by adjustable hold open force.

STANDARD ACCESSORIES



OPTIONAL ACCESSORIES



DISTRIBUTED BY

RYOBI LIMITED

5-2-8 Toshima, Kita-ku Tokyo 114-8518, Japan
Tel. 81-3-3927-5536 Fax. 81-3-3927-5527
RYOBI is a registered trade mark of Ryobi Limited