

NEWTON



F6 - F7

FANLIGHT OPENER FOR BOTTOM HUNG WINDOW

UNIVERSAL : for all materials.

STURDY : carrying capacity of 80 Kg and for opening of 220 mm.



ZUIGISAVIO

NEWTON by LUIGISAVIO :

INNOVATIVE ADJUSTMENT SYSTEM

New adjustment device to increase opening force.

UNIVERSAL

To apply on all materials, thanks to the easy fastening system and to its reduced dimensions.

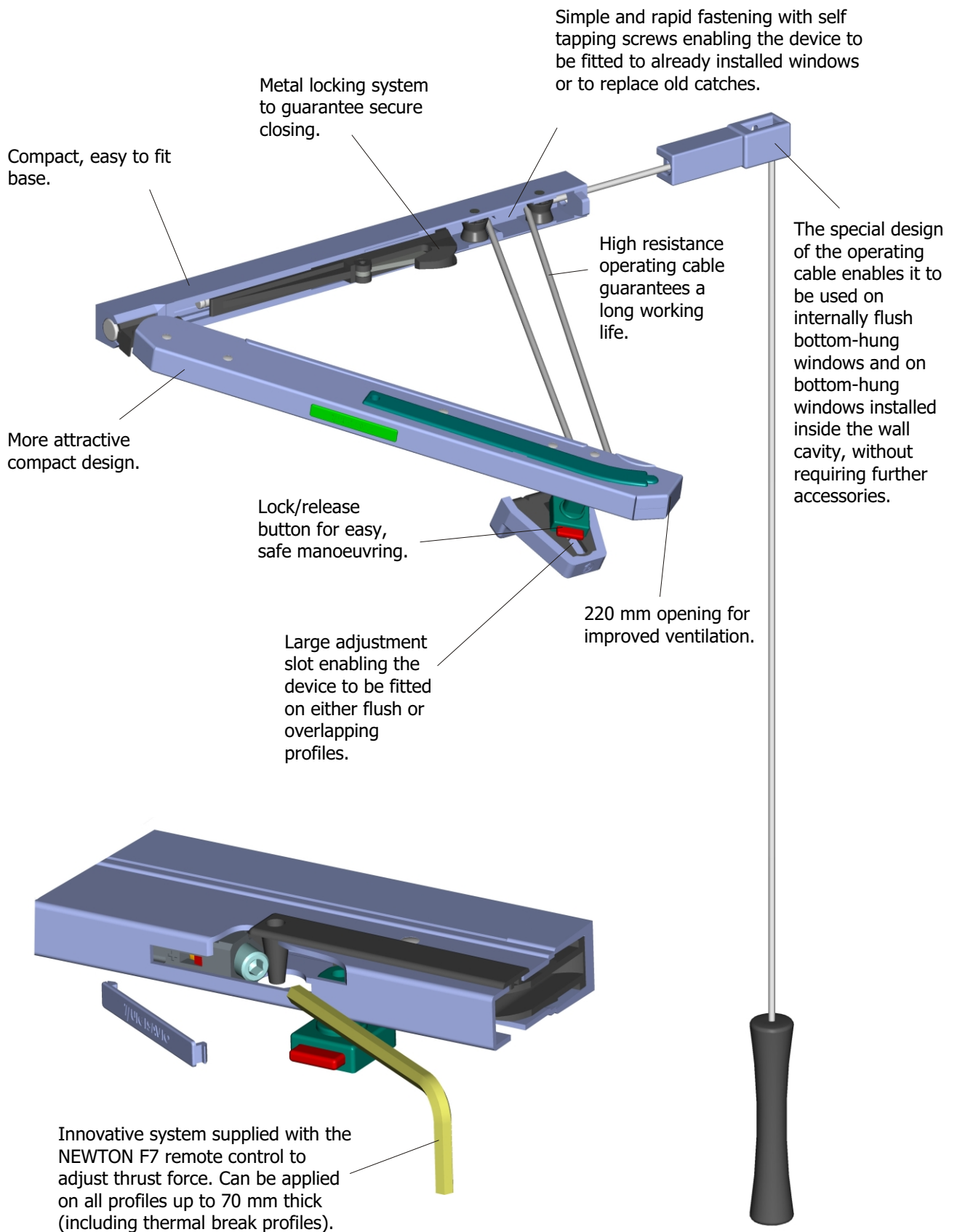
To apply on windows and doors with width up to 1.5 m and high up to 1.6 m.

STURDY

Its carrying capacity is of 80 Kg and it allows a flare angle of 220 mm.

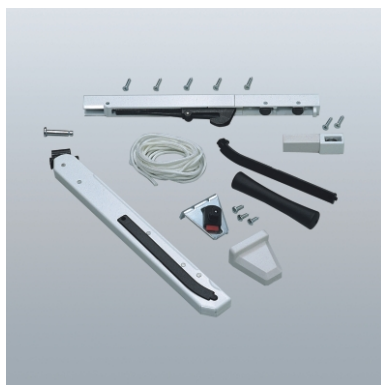
NEWTON

NEWTON F6 - F7 : fanlight opener for bottom hung windows



Articles Code

Fanlight opener NEWTON



Art.	Description	Pcs.	Finishes
F6	(patented) Fanlight opener for bottom hung casement made of steel, zamak and nylon; polyester cable (3 m), galvanized steel screws. Carrying capacity: 80 kg.	5	1013, 1015, 9005, 9010

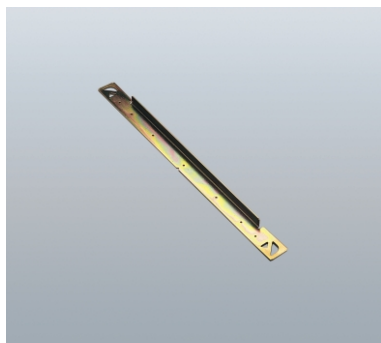


Art.	Description	Pcs.	Finishes
F7	(patented) Adjustable fanlight opener for bottom hung casement made of steel, zamak and nylon; polyester cable (3 m), galvanized steel screws. Carrying capacity: 80 kg.	5	1013, 1015, 9005, 9010

Accessories for fanlight opener NEWTON



Art.	Description	Pcs.	Finishes
F6.R	Aluminium cable-covering profile.	10	1013, 1015, 9005, 9010

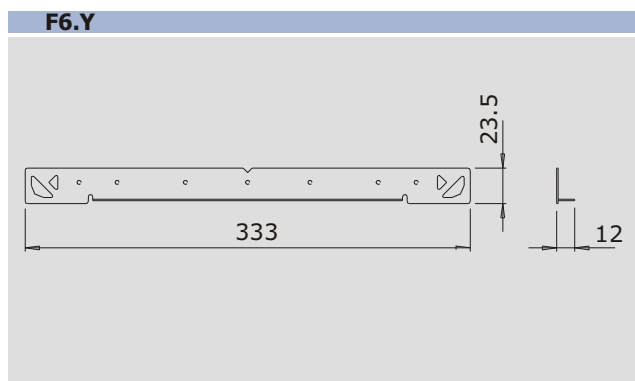
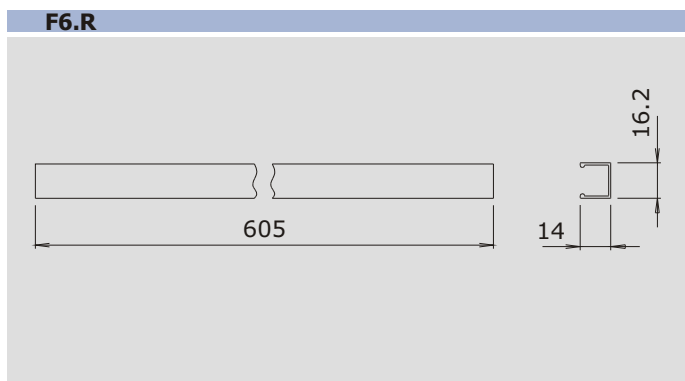
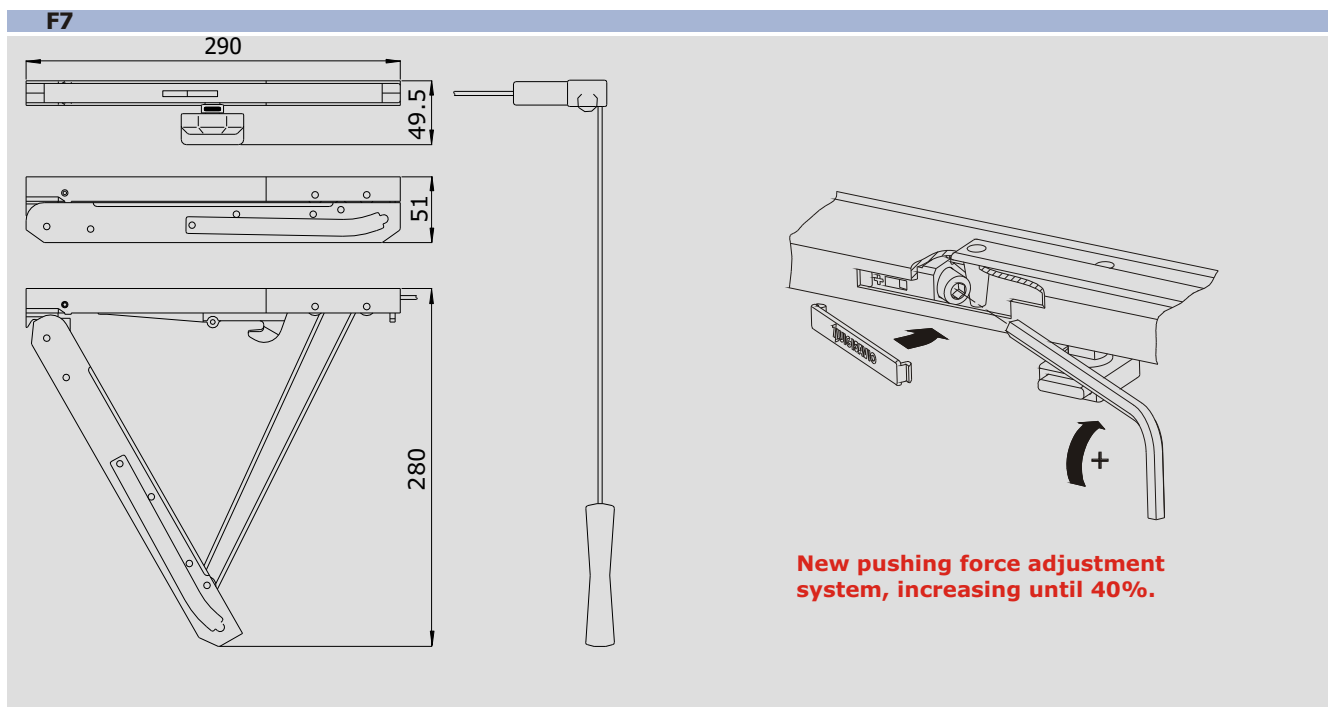
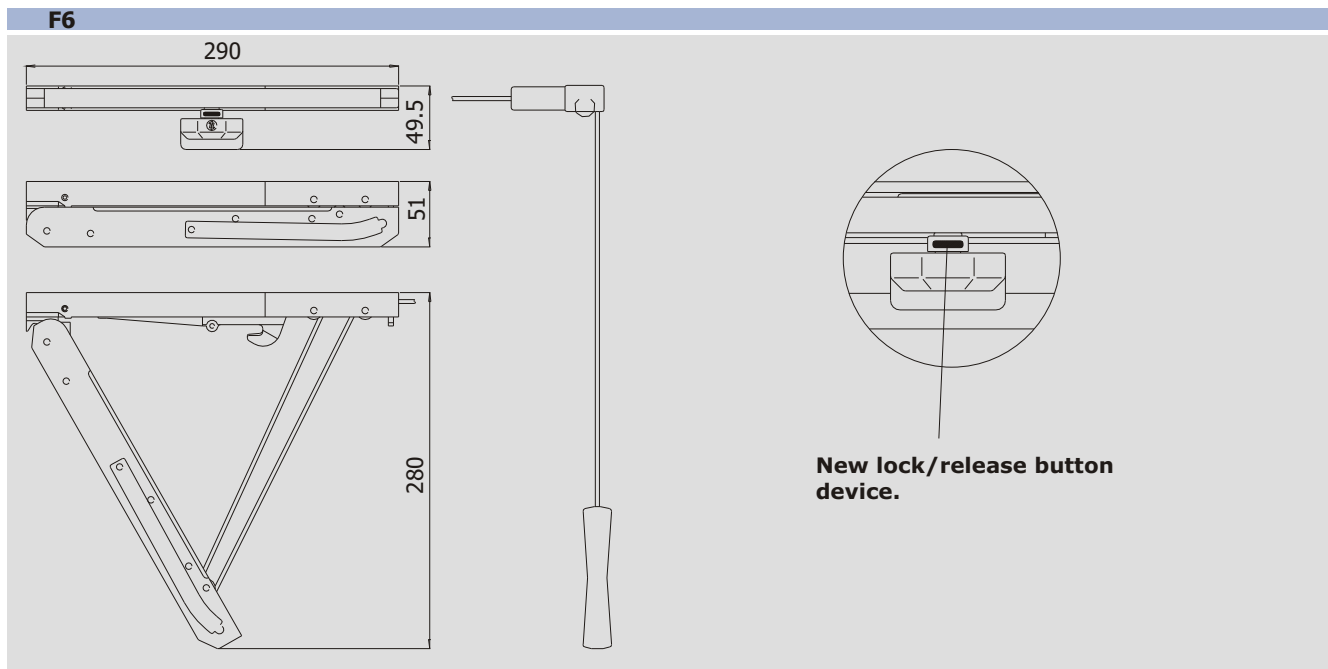


Art.	Description	Pcs.	Finishes
F6.Y	Galvanized steel marking jig.	1	



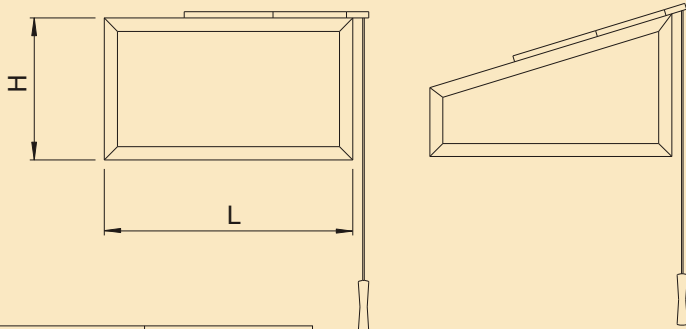
Art.	Description	Pcs.	Finishes
F6.ZB	Cable (m 6) made of white polyester.	2	
F6.ZN	Cable (m 6) made of black polyester.	2	

Fanlight opener NEWTON



Fanlight opener NEWTON

F6 - F7



It can be fitted on aluminium bottom hung windows of any kind of profile and on steel, wood and PVC profiles with overlap thickness between mm 0 and 20.

L		H	
min	max	min	max
400	1500	350	1600
Max 80 Kg			

NOTES: We suggest the use of opening limiter arm stay like: 1316-1344-616 (for any further information please see the relevant documentation of LUIGISAVIO/SAVIO product).

With the cable on issue it is possible to realize bottom hung windows with opening device placed at about 3,5 m from the ground.

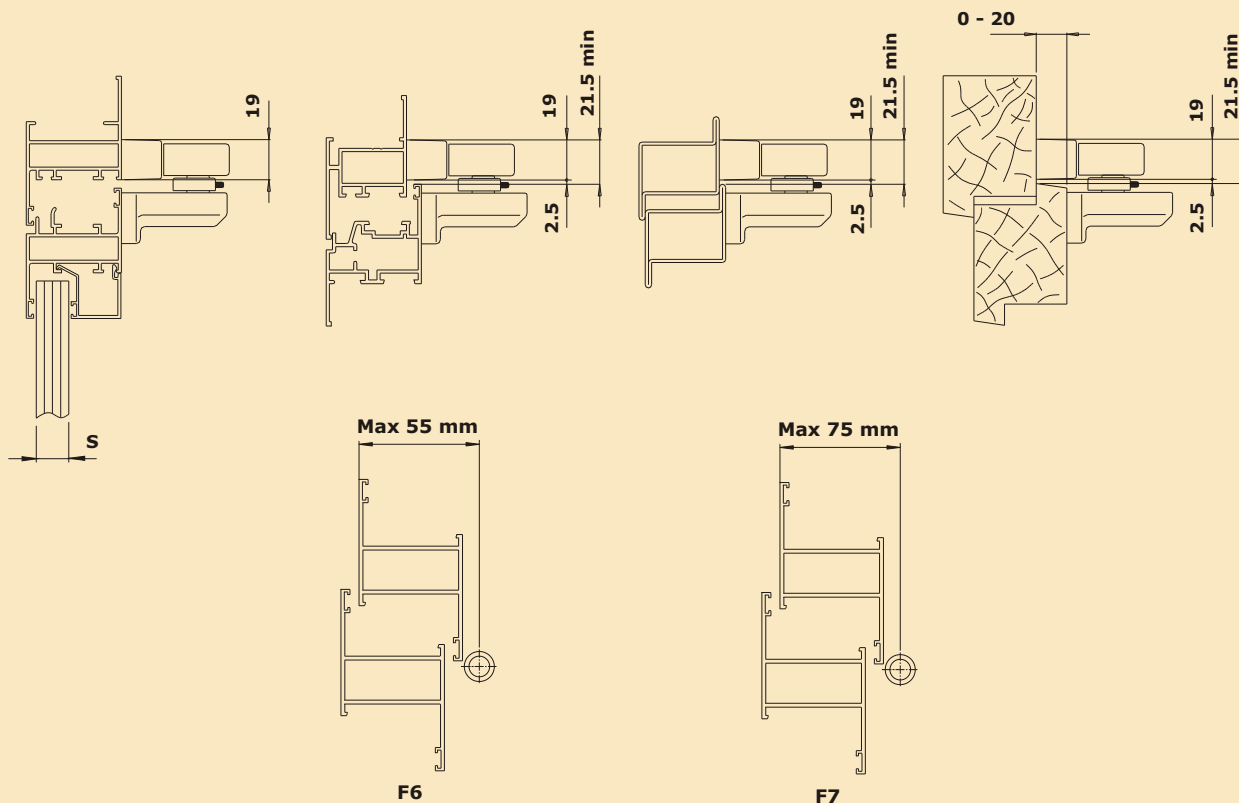
L	400	500	600	700	800	900	1000	1100	1200	1300	1400	1500
S	41	41	38	32	27	23	20	18	16	14	13	12

NOTES: Maximum glass thickness (S) shown on table and relevant to width (L), is valid for any height (H) included into the application range (the glass thickness refers to the thickness of the material without air space)

Examples:

L 1200 mm, H 350 mm, S 16 mm.

L 1200 mm, H 1600 mm, S 16 mm.



SAVIO S.p.A. Via Torino, 25 (S.S. 25)
10050 Chiusa S. Michele (TO) Italy
Tel. +39.11.964.34.64 - Fax +39.11.964.34.74
www.savio.it - e-mail: savio@savio.it

1 LUIGISAVIO

*Quality and innovation
for closing systems*