

BERNINI



PANIC BARS

CE Marking

IN ACCORDANCE WITH 1125:1997/A1:2001

Exclusive PININFARINA design
Full adaptability in application
Quick and easy installation
Reliable and safe performance
Tested up to 2.000.000 cycles



AV SAVIO
by
pininfarina

GB 10/2003

Pininfarina design, a new standard

BERNINI: push-bar type panic devices

Conforming to European UNI EN 1125 standard and with top level CE marking BERNINI has revolutionised the market for traditional panic bars. Ergonomic and attractive, bearing the exclusive PININFARINA signature, totally versatile application (horizontal or vertical, with three locking points, on wood, iron, aluminium or PVC doors); non-handed and easy to mount for rapid installation; refined finishes - BERNINI is without doubt the most innovative response to the demands of an expanding market.



Savio technology... for panic devices

Savio technology inside, Pininfarina design outside - the evolution of the species.

For some years now, Savio has entrusted the design of its most important products to the creative talent of PININFARINA, one of the world's most famous and innovative industrial designers. The result is a successful combination of performance and style, ergonomics and appearance, translating into added value able to satisfy even the most demanding customers. BERNINI confirms the absolute quality of this fruitful collaboration, with exclusive shapes and the correct balance between weight and size, accentuating the performance and technological reliability and making the products suitable for all settings.



A detail of the R&D centre at Chiusa San Michele.

Technical characteristics

Style and colour for all settings

The exclusive line of new Bernini panic bars transforms a functional object into an interior design accessory, capable of fitting in perfectly anywhere and everywhere. In particular, the perspective effect of the "T" coverplates combines robustness and elegance, with precise shapes, balanced dimensions and no projections.

Particular attention has been paid to the range of finishes, both in terms of the technical characteristics of the coatings and the "T" coverplate/bar colour combinations (as described below) making it possible to create a series of refined configurations.

As well as guaranteeing unbeatable durability, fitting a Bernini panic bar in an office building, a multi-screen cinema, a gym or an airport also means fitting a high added value product, untouched by the vagaries of fashion, a benchmark in the industrial design of Pininfarina.



GREY and INOX



GREY and RED



GREY and GREEN



BLACK and INOX



BLACK and RED



BLACK and GREEN

WHITE and INOX

WHITE and RED

WHITE and GREEN

2.000.000 cycles

Products listed in the certificate guarantee a high number of operating cycles (200.000 cycles), making them suitable for frequent use. These figures, together with other important factors enabling the performance of the product to be evaluated, are given below:

37601422A

The various grades obtainable are:
(BERNINI grades in bold)

Category of use

Grade 3: high frequency of use by public

Durability:

Grade 6: 100.000 Opening/closing cycles

Grade 7: 200.000 opening/closing cycles

Door mass:

Grade 5: up to 100 kg

Grade 6: up to 200 kg

Fire resistance, for application on fire/smoke door assemblies:

Grade 0: not suitable

Grade 1: suitable

Safety:

Grade 1: the panic bar is safe for the user

Corrosion resistance:

Grade 3: high resistance (96 hours in salt spray)

Grade 4: very high resistance (240 hours in salt spray)

Security:

Grade 2: guarantees a good grade of security without compromising operation of the panic device

Projection of bar:

Grade 1: up to 150 mm

Grade 2: up to 100 mm

Type of bar operation:

Type A = panic device with push-bar operation

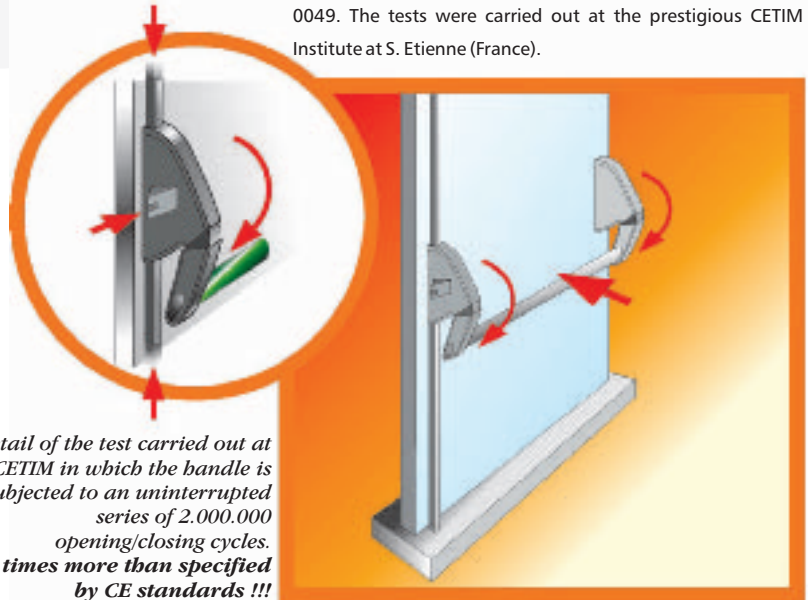
Type B = panic device with touch-bar operation

The EN 1125:97 + A1:2001 standard certifies products for application on doors with a maximum width of 1300 mm and a maximum height of 2500 mm.

For larger doors, the product cannot be certified. (6000.B/1500, 6000.721).

Certified safety, top performance: The reliability of innovation.

BERNINI has been verified in accordance with EN 1125:1997/A:2001 - as described in the Official Journal of the European communities C 40/3 of 14/02/2002 - by the French certification institute AFNOR, authorised to grant permission to use the CE marking in Europe. Its identification number is 0049. The tests were carried out at the prestigious CETIM Institute at S. Etienne (France).



BERNINI Push-bar type panic devices

Exclusive PININFARINA design

Thanks to the particular care taken over the design (entrusted to PININFARINA), this product enhances the look of any architectural context.

Full adaptability in application

The complete range covers all possible applications.

Quick and easy installation

Installation is simplified by the use of counterplates, enabling application on standard profiles with, if necessary, final mounting on site. The adjustable latch bolts also make it possible to find the optimum position in case of interference with corner cleats used for sections.

Reliability and safe performance

The high degree of security against attempted break-in, efficiency of the mechanisms and high quality materials and finishes all guarantee excellent durability.

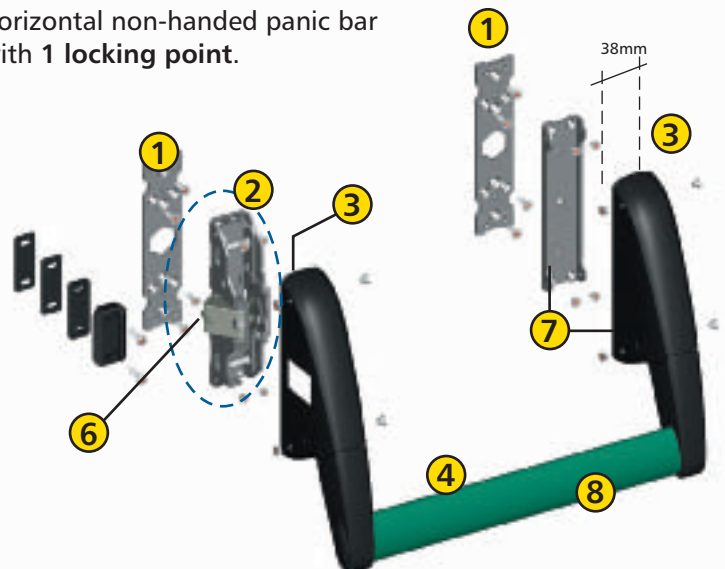
Modular product

The product is available either in a complete single pack or in separate modular kits enabling every user to choose the preferred modular combination.



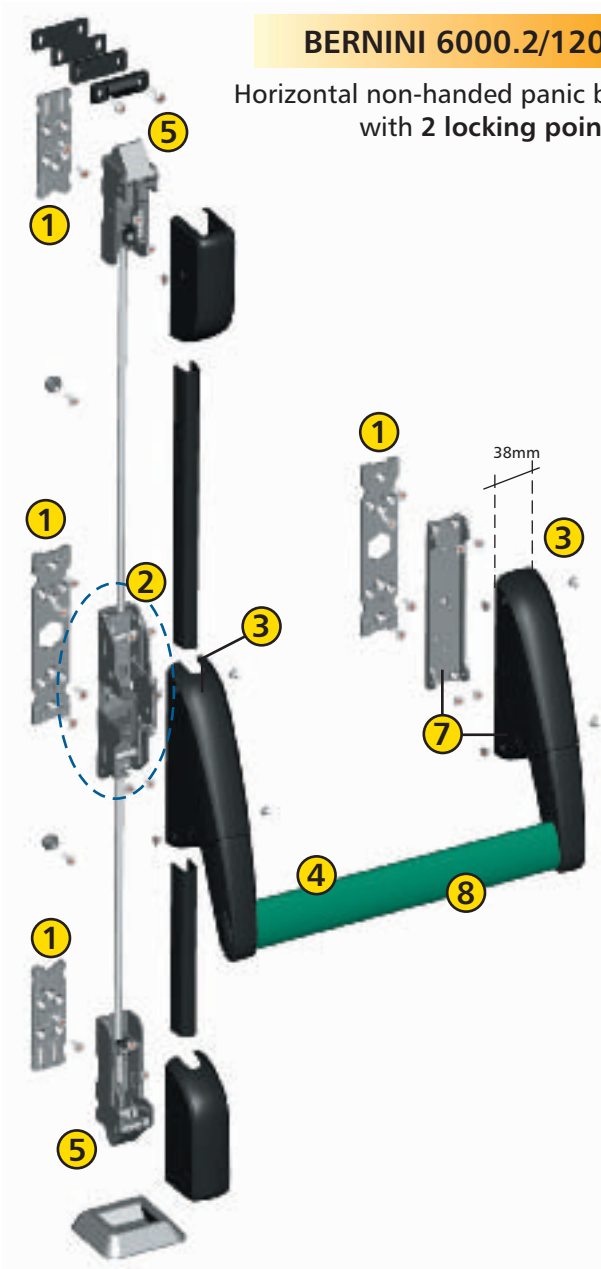
BERNINI 6000.1/1200

Horizontal non-handed panic bar with 1 locking point.



BERNINI 6000.2/1200

Horizontal non-handed panic bar with 2 locking points.

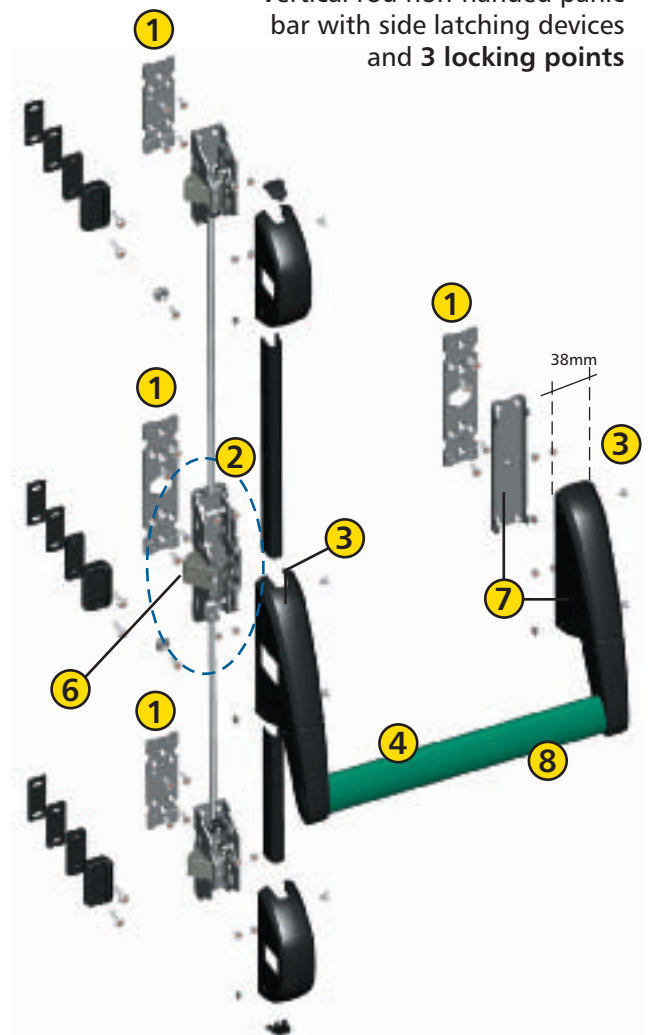


**FIRST YOU FIT IT,
THEN... YOU FORGET IT**

Tested at 2.000.000 cycles -
ten times the level required
by standards!

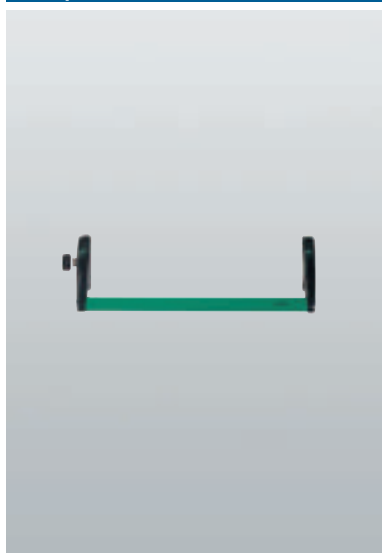
BERNINI 6000.3/1200

Vertical rod non-handed panic bar with side latching devices and 3 locking points

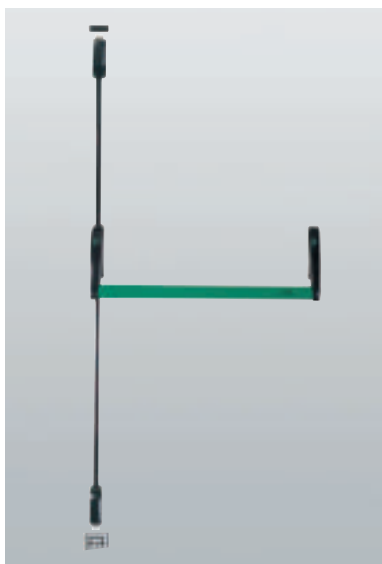


- ① All supports and latch bolts are assembled on steel counterplates (also welded) for **quick, easy and secure fastening.**
- ② All mechanisms are fully **non-handed.**
- ③ **Compact size (38 mm)** to allow mounting even on standard profiles
- ④ Horizontal bars with large elliptical section for **better grasping**
- ⑤ **Adjustable top and bottom latch bolts with burglar-proof device**
- ⑥ **Central latch bolt with burglar-proof device**
- ⑦ **Secondary support for inserting the dogging mechanism and microswitch**
- ⑧ **Slip-in horizontal bar with ample machining tolerances; 40 mm elliptical section made of steel**

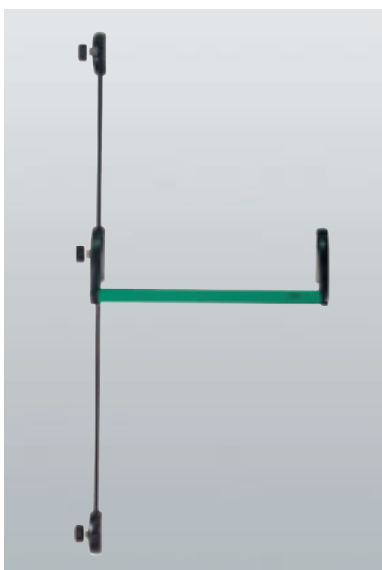
Complete kits



Art.	Description	Pcs.	Finishes
6000.1/1200	(patented) Horizontal non-handed panic bar with 1 locking point in zamak and galvanised steel. Complete with: latch bolt in nickel plated zamak, counterplates in galvanised steel, 1200 bar in painted steel, 1 keeper + 3 spacers in painted zamak, Ø 4.2x13 countersunk screws in black galvanised steel, 2 Ø 4.2x19 socket head screws in black galvanised steel, 16 M4x5 countersunk screws in black galvanised steel. <i>For doors with a clear width of 800 to 1240 mm.</i>	1	3001, 6029



Art.	Description	Pcs.	Finishes
6000.2/1200	(patented) Vertical rod non-handed panic bar with 2 locking points in zamak and galvanised steel. Complete with: counterplates in galvanised steel, 1200 bar in painted steel, 1 floor-mounted keeper in stainless steel, 1 black nylon insert, 1 top rod + 1 bottom rod in aluminium, 1 1395 mm rod cover in painted aluminium, 1 1037 mm rod cover in painted aluminium, 2 adjustable plugs in black galvanised zamak, 1 keeper + 3 spacers in painted zamak, 6 Ø 3.9x13 countersunk screws in white galvanised steel, 8 Ø 4.2x13 countersunk screws in black galvanised steel, 2 Ø 4.2x19 socket head screws in black galvanised steel, 4 Ø 4.2x9.5 socket head screws in black galvanised steel, 22 M4x5 countersunk screws in black galvanised steel. <i>For doors with a max. clear width of 1240 and a max. height of 2450 mm.</i>	1	3001, 6029


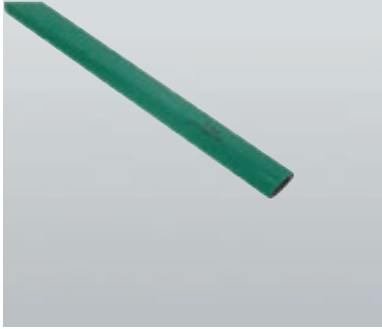



Art.	Description	Pcs.	Finishes
6000.3/1200	(patented) Vertical rod non-handed panic bar with 3 locking points in zamak and galvanised steel. Complete with: latch bolt in nickel plated zamak, counterplates in white galvanised steel, 1200 bar in painted steel, 1 top rod + 1 bottom rod in aluminium, 1 1395 mm rod cover in painted aluminium, 1 1037 mm rod cover in painted aluminium, 2 adjustable plugs in black galvanised zamak, 3 keepers + 9 spacers in painted zamak, 10 Ø 3.9x13 countersunk screws in white galvanised steel, 8 Ø 4.2x13 countersunk screws in black galvanised steel, 6 Ø 4.2x19 socket head screws in black galvanised steel, 28 Ø M4x5 countersunk screws in black galvanised steel. <i>For doors with a clear width of 800 to 1240 mm.</i>	1	3001, 6029

*Finishes of articles 6000.1/.2/.3 refer to bar colour only. All other components are with RAL 9005 finish.

Key to finishes		
S = satin-finished stainless steel	6029 = RAL green painted	9006 = RAL silver painted
3001 = RAL red painted	9005 = RAL black painted	9010 = RAL white painted

Modular items

	Art.	Description	Pcs.	Finishes
	6000.701	(patented) Kit with horizontal non-handed supports, one locking point in painted zamak and galvanised steel. Complete with: latch bolt in nickel plated zamak, counterplates in galvanised steel, 1 keeper + 3 spacers in painted zamak, right and left nylon bar caps, 8 Ø. 4.2x13 countersunk screws in galvanised steel, 2 Ø. 4.2x19 socket head screws in galvanised steel, 16 M4x5 countersunk screws in galvanised steel (for finishes 9006/9010: 8 M4x5 countersunk screws in galvanised steel + 8 M4x6 countersunk screws in stainless steel).	1	9005, 9006, 9010
	6000.702	(patented) Kit with vertical rod non-handed supports, two locking points in painted zamak and galvanised steel. Complete with: galvanised steel counterplates, right and left nylon bar caps, 8 Ø. 4.2x13 countersunk screws in galvanised steel, 16 M4x5 countersunk screws in galvanised steel (for finishes 9006/9010: 8 M4x5 countersunk screws in galvanised steel + 8 M4x6 countersunk screws in stainless steel)	1	9005, 9006, 9010
	6000.703	(patented) Kit with side non-handed supports, three locking points in painted zamak and galvanised steel. Complete with: latch bolt in nickel plated zamak, counterplates in galvanised steel, 1 keeper + 3 spacers in painted zamak, right and left nylon bar caps, 8 Ø. 4.2x13 countersunk screws in galvanised steel, 2 Ø. 4.2x19 socket head screws in galvanised steel, 16 M4x5 countersunk screws in galvanised steel (for finishes 9006/9010: 8 M4x5 countersunk screws in galvanised steel + 8 M4x6 countersunk screws in stainless steel).	1	9005, 9006, 9010
	6000.B/860	Horizontal 860 mm bar in painted or stainless steel. For doors with leaf up to 900 mm	1	3001, 6029, S
	6000.B/1200	Horizontal 1200 mm bar in painted or stainless steel. For doors with leaf up to 1240 mm	1	3001, 6029, S
	6000.B/1500	Horizontal 1500 mm bar in painted or stainless steel. For doors with leaf up to 1540 mm <i>Note: Finish "S" = SATIN FINISHED STAINLESS STEEL</i>	1	3001, 6029, S
	6000.720	Standard vertical rods: 1 top rod in aluminium + 1 bottom rod in aluminium + 1 1037 mm rod cover in painted aluminium + 1 1395 mm rod cover in painted aluminium <i>For doors up to 2450 mm high</i>	1	9005, 9006, 9010
	6000.721	Vertical rods: 1 top rod in aluminium + 1 bottom rod in aluminium + 1 1037 mm rod cover in painted aluminium + 1 2045 mm rod cover in painted aluminium + 1 adjustable plug in galvanised zamak + 1 Ø 3.9x13 countersunk screw in galvanised steel. <i>For doors from 2450 mm to 3100 mm high</i>	1	9005, 9006, 9010

Key to finishes

S = satin-finished stainless steel	6029 = RAL green painted	9006 = RAL silver painted
3001 = RAL red painted	9005 = RAL black painted	9010 = RAL white painted

Modular items

Art.	Description	Pcs.	Finishes
6000.730	(patented) Kit with top / bottom latch bolts in painted zamak and galvanised steel, nickel plated latch bolt. Complete with: counterplates in galvanised steel, 1 floor-mounted keeper in stainless steel + 1 black nylon insert, 2 adjustable plugs in galvanised zamak, 1 keeper + 3 spacers in painted zamak, 6 Ø 3.9x13 countersunk screws in white galvanised steel, 4 Ø 4.2x9.5 socket head screws in galvanised steel, 2 Ø 4.2x19 socket head screws in galvanised steel, 6 M4x5 countersunk screws in white galvanised steel (for finishes 9006/9010: 4 M4x5 countersunk screws in black galvanised steel + 2 M4x6 countersunk screws in stainless steel).	1	9005, 9006, 9010
6000.735	(patented) Kit with top /side latch bolts in painted zamak and galvanised steel, nickel plated latch bolt. Complete with: counterplates in galvanised steel, 2 adjustable plugs in galvanised zamak, 2 keepers + 6 spacers in painted zamak, 8 Ø 3.9x13 countersunk screws in white galvanised steel, 2 Ø 4.2x9.5 socket head screws in galvanised steel, 4 Ø 4.2x19 socket head screws in galvanised steel, 9 Ø M4x5 countersunk screws in white galvanised steel (for finishes 9006/9010: 6 M4x5 countersunk screws in black galvanised steel + 3 M4x6 countersunk screws in stainless steel).	1	9005, 9006, 9010
6000.740	Kit with side latch bolts in painted zamak and galvanised steel, nickel plated latch bolt. Complete with: counterplates in galvanised steel, 2 keepers + 6 spacers in painted zamak, 2 adjustable plugs in galvanised zamak, 10 Ø 3.9x13 countersunk screws in galvanised steel, 4 Ø 4.2x19 socket head screws in galvanised steel, 12 M4x5 countersunk screws in black galvanised steel (for finishes 9006/9010: 8 M4x5 countersunk screws in galvanised steel + 4 M4x6 countersunk screws in stainless steel)inox)	1	9005, 9006, 9010



PUSH PAD range

Art.	Description	Pcs.	Finishes
6000.751	(patented) Support for horizontal latching device with one push-pad in painted zamak and galvanised steel, nickel plated latch bolt. Complete with: counterplates in galvanised steel, 93 mm painted steel bar, 1 keeper + 3 spacers in painted zamak, right and left nylon bar caps, 4 Ø 4.2x13 countersunk screws in galvanised steel, 2 Ø 4.2x19 socket head screws in galvanised steel, 8 M4x5 countersunk screws in galvanised steel.	1	9005
6000.752	(patented) Support for vertical latching device , push-pad in painted zamak and galvanised steel Complete with: galvanised steel counterplate, 93 mm painted steel bar, non-handed bar caps, 4 Ø 4.2x13 countersunk screws in galvanised steel, 8 M4x5 countersunk screws in galvanised steel. <i>These articles are in accordance with EN 179:1997/A1:2001</i>	1	9005


Key to finishes

S = satin-finished stainless steel	6029 = RAL green painted	9006 = RAL silver painted
3001 = RAL red painted	9005 = RAL black painted	9010 = RAL white painted


Outside access devices

	Art.	Description	Pcs.	Finishes
	6000.870	Outside access device, handle only, in painted zamak and galvanised steel, painted die-cast aluminium grip, square spindle in galvanised steel, 1 M5x30 hex socket head cap screw + 2 M5x70 countersunk screws in galvanised steel.	1	9005, 9006, 9010
	6000.875	Outside access device, handle idle, in painted zamak and galvanised steel, painted die-cast aluminium grip, European profile cylinder with different key combinations + 3 nickel plated keys, square spindle in white galvanised steel, 1 M5x30 hex socket head cap screw + 2 M5x80 countersunk screws in galvanised steel. With " cylinder unlocked key retention device "	1	9005, 9006, 9010
	6000.876	Outside access device, handle idle, in painted zamak and galvanised steel, painted die-cast aluminium grip, without cylinder , square spindle in galvanised steel, 1 M5x30 hex socket head cap screw + 2 M5x80 countersunk screws in galvanised steel. With " cylinder unlocked key retention device "	1	9005, 9006, 9010
	6000.877	Outside access device, handle idle, in painted zamak and galvanised steel, painted die-cast aluminium grip, European profile cylinder with single key combination + 3 nickel plated keys, square spindle in white galvanised steel, 1 M5x30 hex socket head cap screw + 2 M5x80 countersunk screws in galvanised steel. With " cylinder unlocked key retention device "	1	9005, 9006, 9010








*The "**cylinder unlocked key retention device**" prevents extraction of the key with the cylinder released. The cylinder must therefore be engaged before the key can be removed.*

	Art.	Description	Pcs.	Finishes
	6000.880	Outside access device in painted zamak and galvanised steel, fixed handle with knob, European profile cylinder with different key combinations + 3 nickel plated keys, square spindle in galvanised steel, 2 M5x70 countersunk screws in galvanised steel. Preferably for use with the 1 locking point version.	1	9005, 9006, 9010

Accessories

	Art.	Description	Pcs.	Finishes
	6000.800	Kit of keepers for side latching device, for PVC and wood Complete with 2 keepers and 2 spacers in painted steel + 2 Ø 4.2x19 socket head screws in galvanised steel	1x5	9005
	6000.801	Kit of keepers for vertical latching device, for PVC and wood Complete with 2 keepers and 2 spacers in painted steel + 2 Ø 4.2x19 socket head screws in galvanised steel	1x5	9005

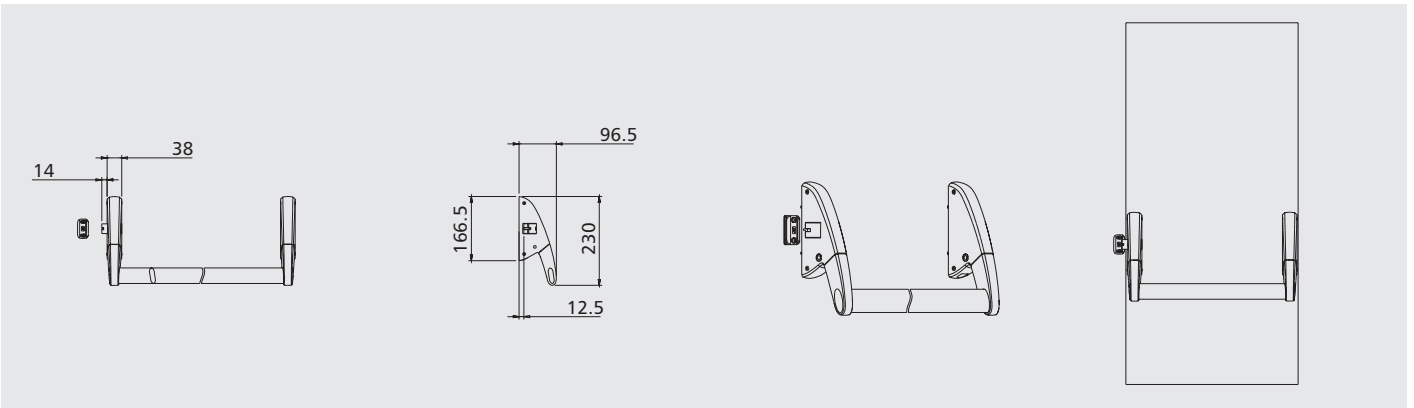
Key to finishes			
S = satin-finished stainless steel	6029 = RAL green painted	9006 = RAL silver painted	
3001 = RAL red painted	9005 = RAL black painted	9010 = RAL white painted	

Accessories				
Art.	Description	Pcs.	Finishes	
	6000.810 Additional side latching device in painted zamak and galvanised steel, latch bolt in nickel plated zamak, counterplate in galvanised steel, 1 keeper + 3 spacers in painted zamak, 4 Ø 3.9x13 countersunk screws in galvanised steel, 2 Ø 4.2x19 socket head screws in galvanised steel, 6 M4x5 countersunk screws in galvanised steel (for finishes 9006/9010: 4 M4x5 countersunk screws in black galvanised steel + 2 M4x6 countersunk screws in stainless steel)	1	9005, 9006, 9010	
	6000.820 Electric strike with cover in painted zamak, bottom plate in galvanised steel, 4 Ø 3.9x25 socket head screws in galvanised steel, black nylon spacers.	1	9005, 9006, 9010	
	6000.830 Dogging mechanism in black nylon and zamak.	1x5		
	6000.840 Intermediate support in painted zamak, counterplate in galvanised steel, 4 Ø 4.2x13 countersunk screws in galvanised steel, 8 M4x5 black galvanised countersunk screws (for finishes 9006/9010: 4 M4x5 galvanised countersunk screws + 4 M4x6 stainless steel countersunk screws).	1	9005, 9006, 9010	
	6000.842 1 microswitch + 1 black nylon support + 1 Ø 2.2x13 socket head screw + 1 Ø 3.9x9.5 BZ socket head screw in galvanised steel	1x5		
	6000.843 Adjustable plug in galvanised zamak + Ø 3.9x13 countersunk screws in galvanised steel	20		
	6000.890 Bernini exit sign plate	10		

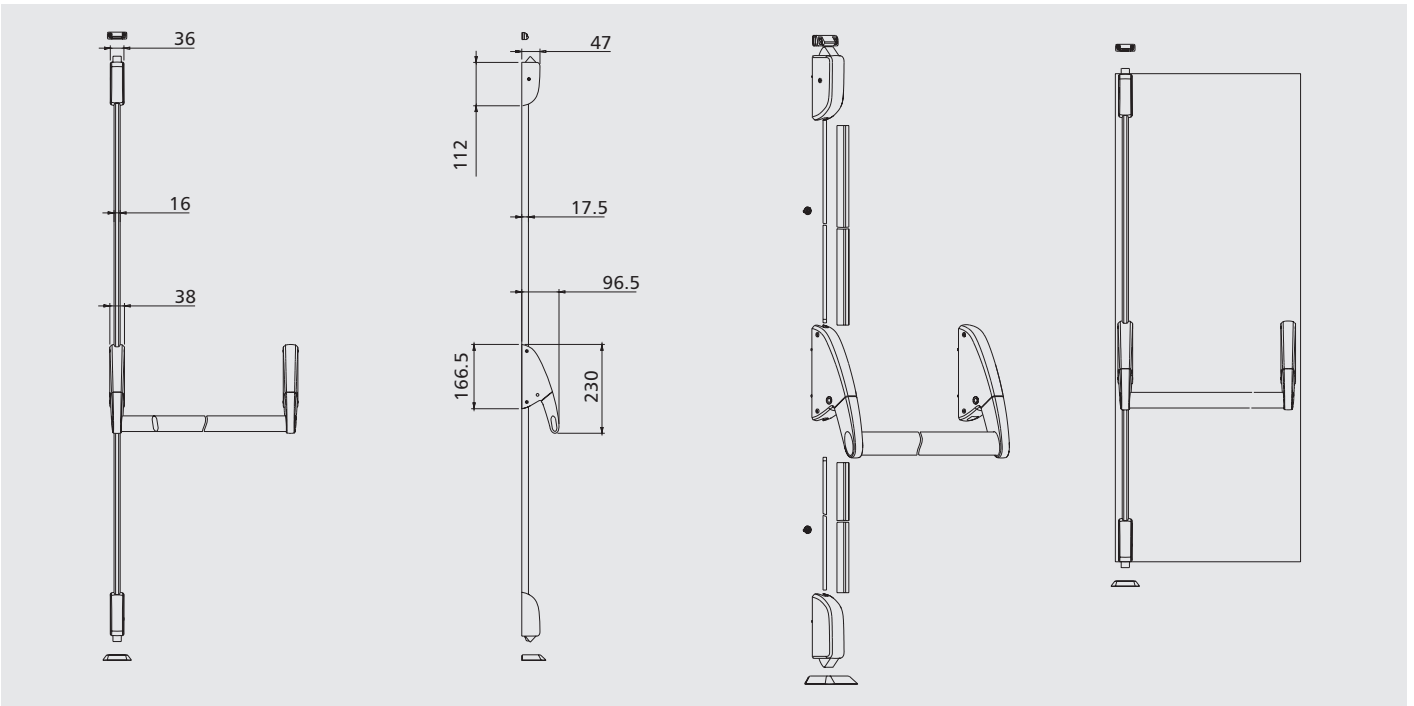
Key to finishes

S = satin-finished stainless steel	6029 = RAL green painted	9006 = RAL silver painted
3001 = RAL red painted	9005 = RAL black painted	9010 = RAL white painted

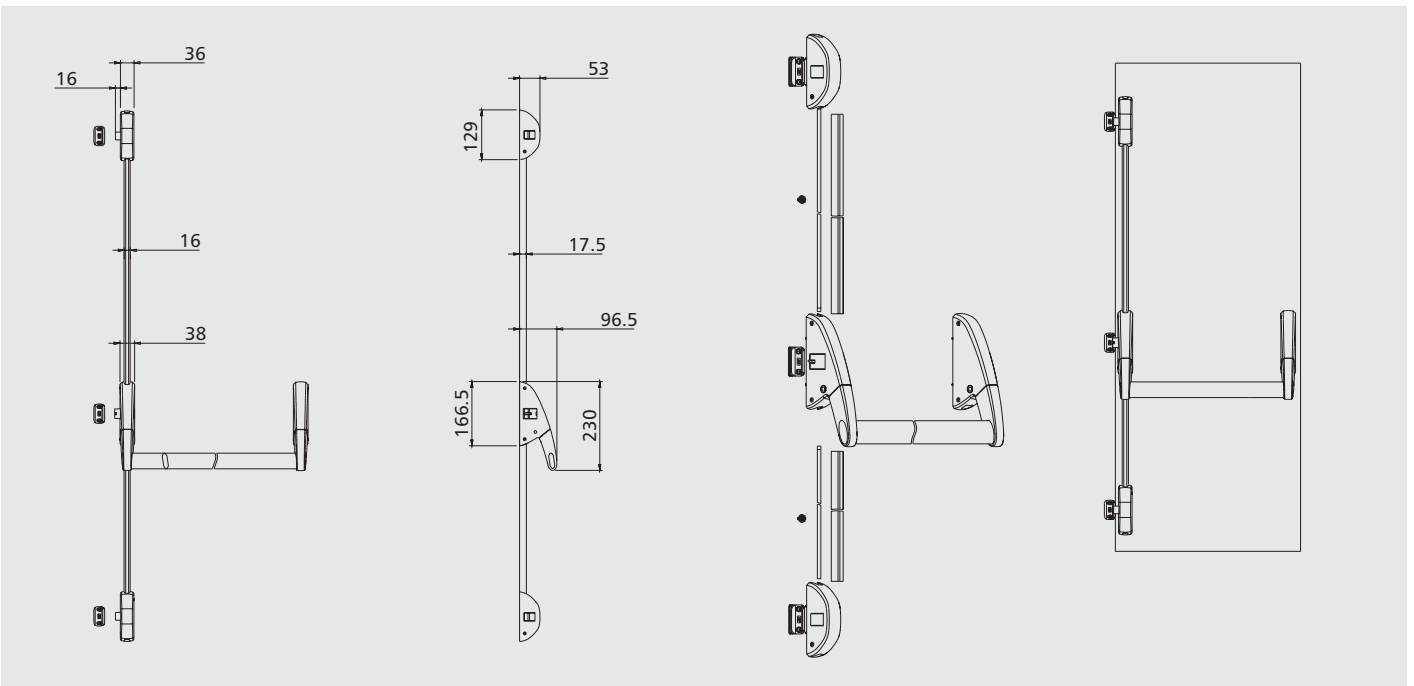
6000.1/1200



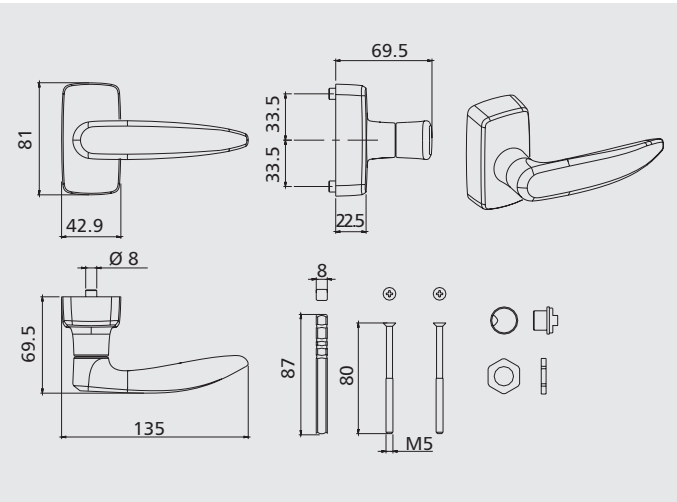
6000.2/1200



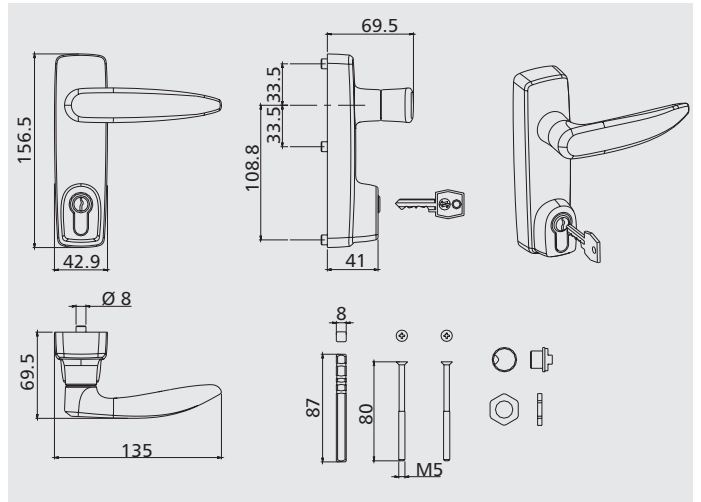
6000.3/1200



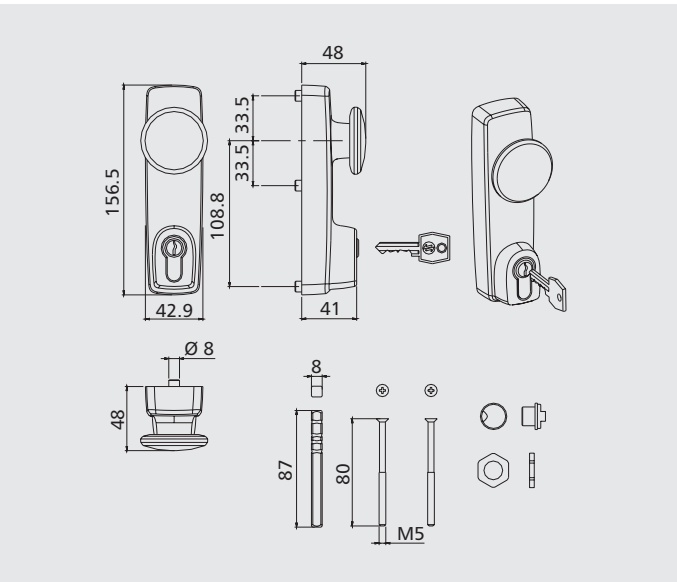
6000.870



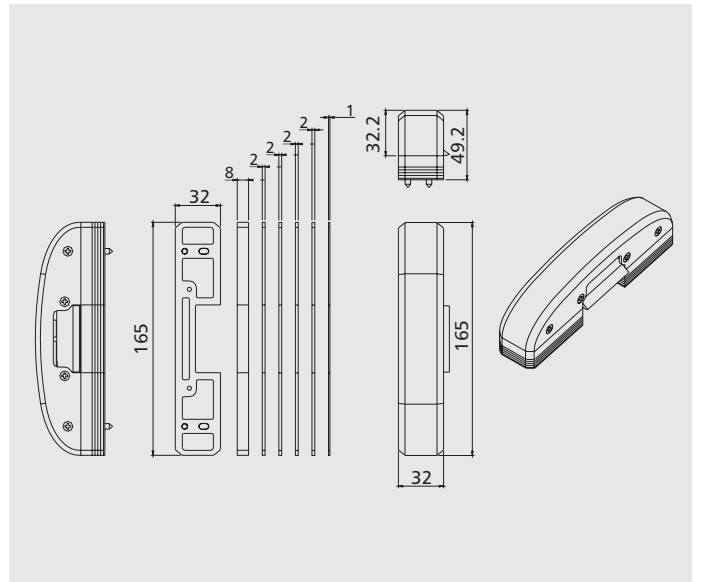
6000.875/.876/.877



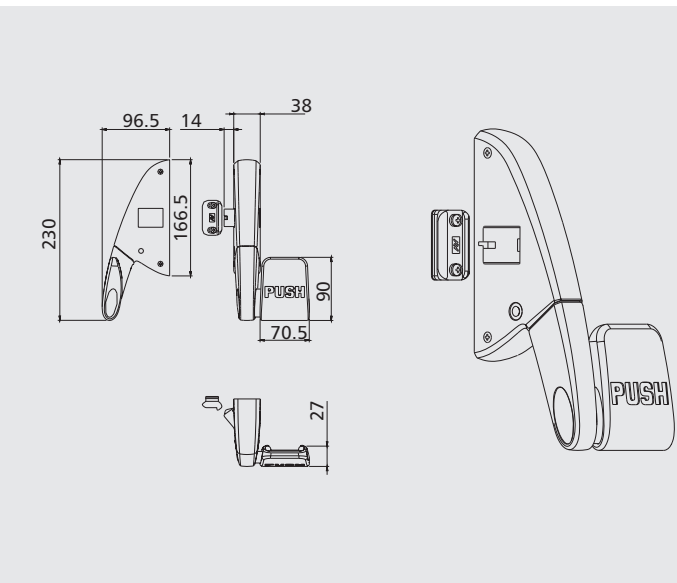
6000.880



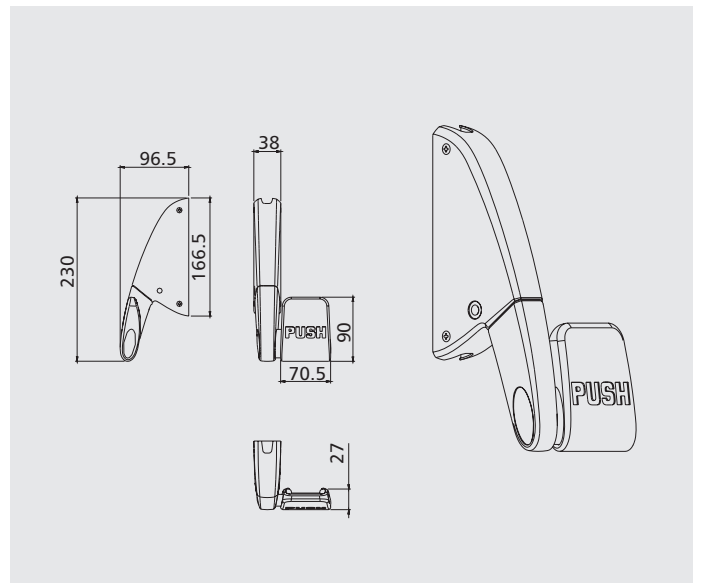
6000.820



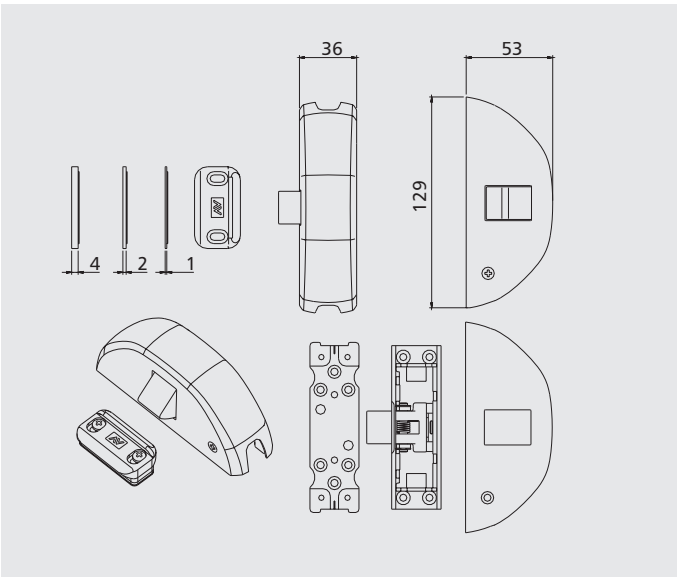
6000.751



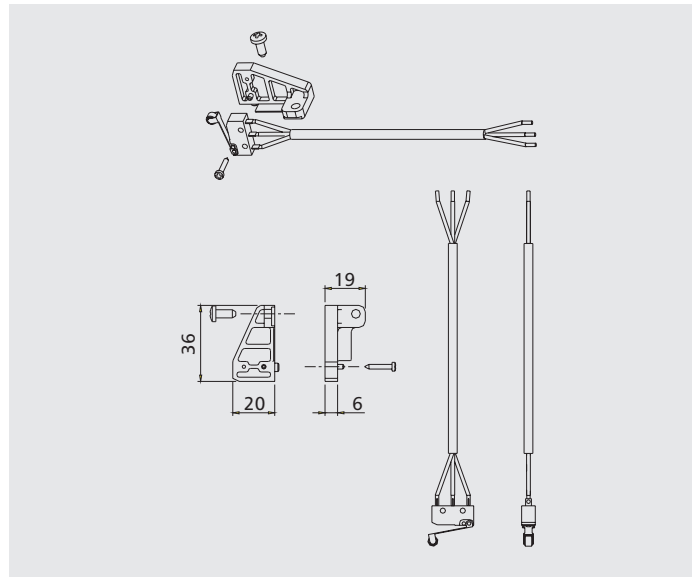
6000.752



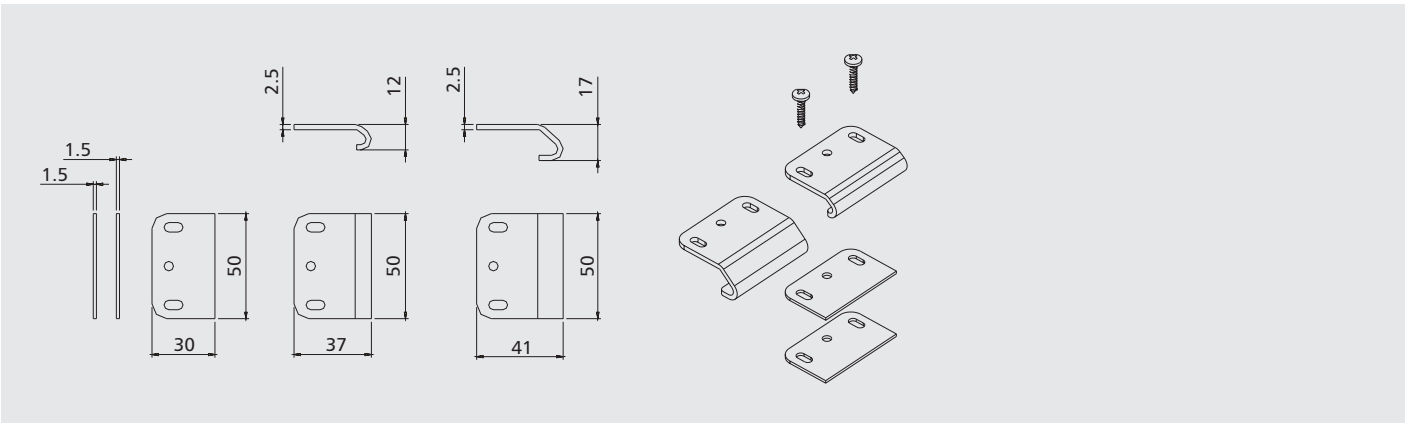
6000.810



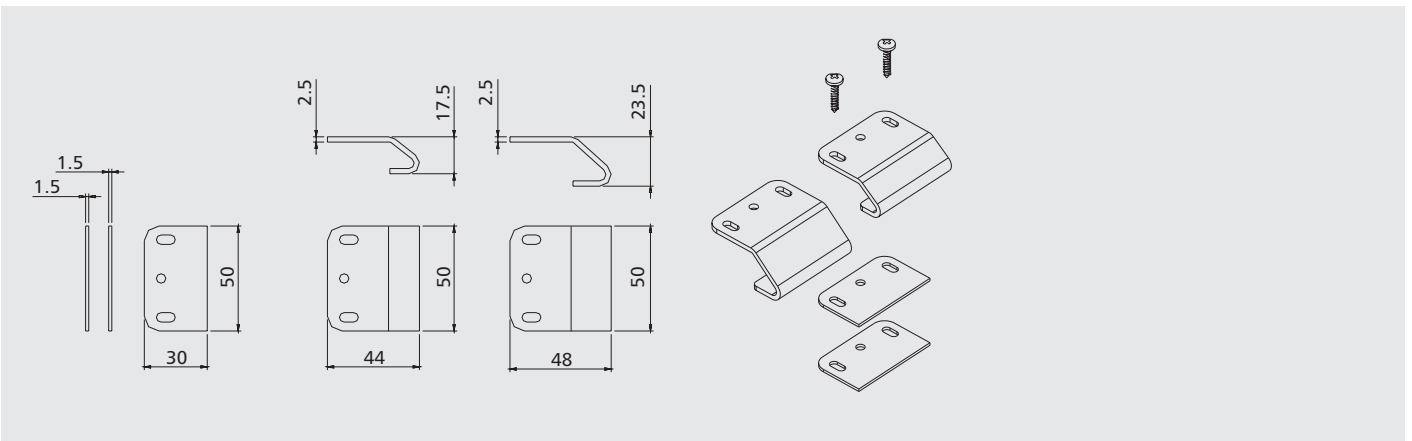
6000.842



6000.800

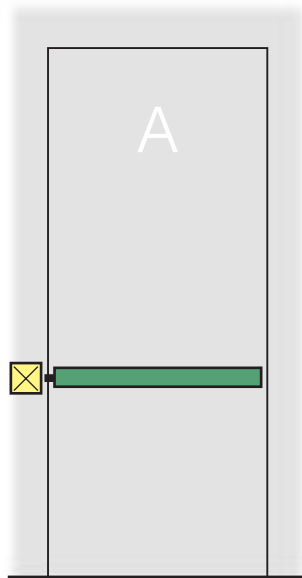


6000.801



Push-bar type panic devices

Application schemes for single door



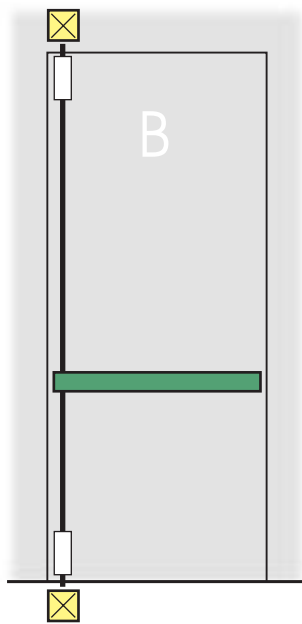
Application A:

BERNINI

6000.1/1200

6000.701+6000.B

6000.703+6000.B



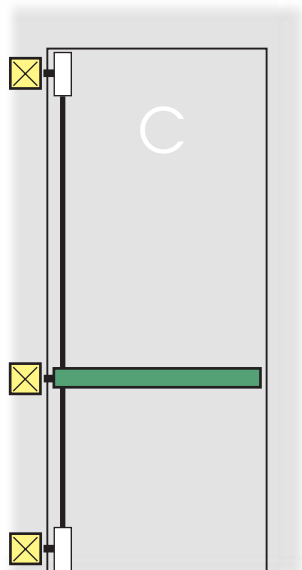
Application B:

BERNINI

6000.2/1200

6000.702+6000.B+6000.720/.721+6000.730

6000.703+6000.B+6000.720/.721+6000.730



Application C:

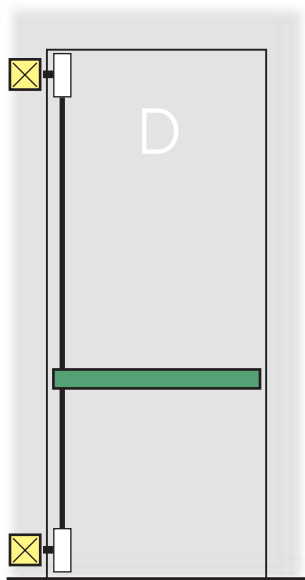
BERNINI

6000.3/1200

6000.703+6000.B+6000.720/.721+6000.740

Legend:

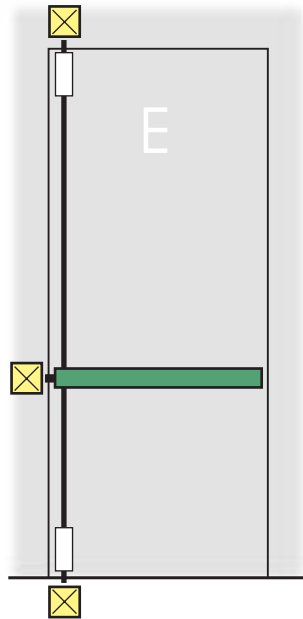
BERNINI alternative configurations



Application D:
BERNINI

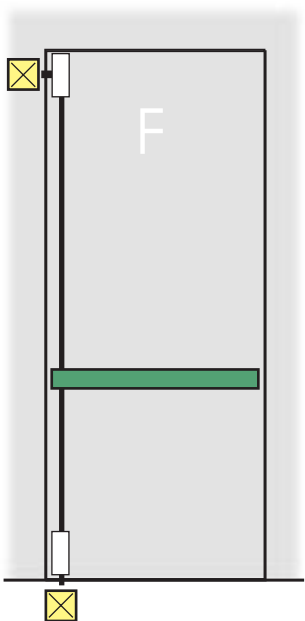
6000.702+6000.B+6000.720/.721+6000.740

6000.703+6000.B+6000.720/.721+6000.740



Application E:
BERNINI

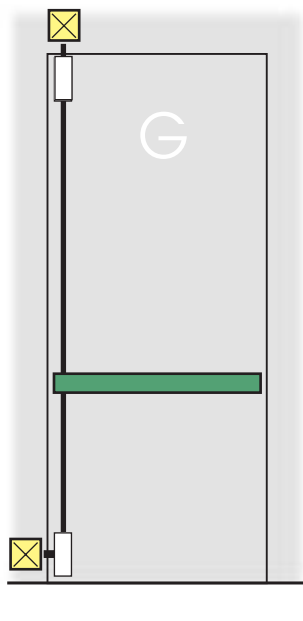
6000.703+6000.B+6000.720/.721+6000.730



Application F:
BERNINI

6000.702+6000.B+6000.720/.721+6000.730+.740

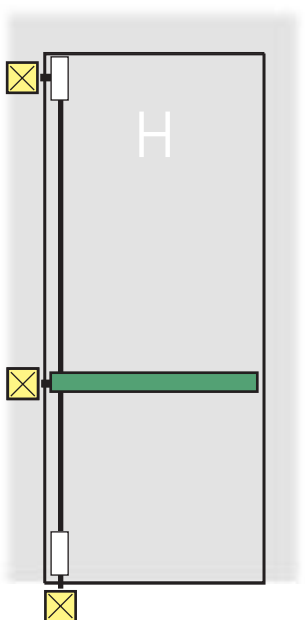
6000.703+6000.B+6000.720/.721+6000.730+.740



Application G:
BERNINI

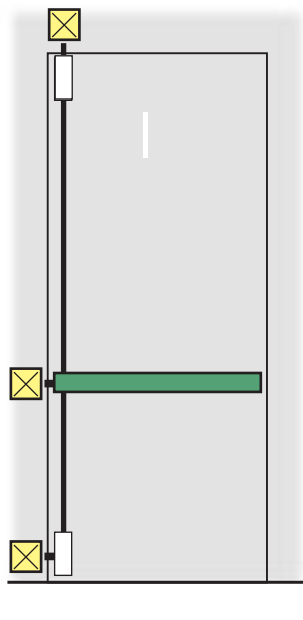
6000.702+6000.B+6000.720/.721+6000.735

6000.703+6000.B+6000.720/.721+6000.735



Application H:
BERNINI

6000.703+6000.B+6000.720/.721+6000.730+.740

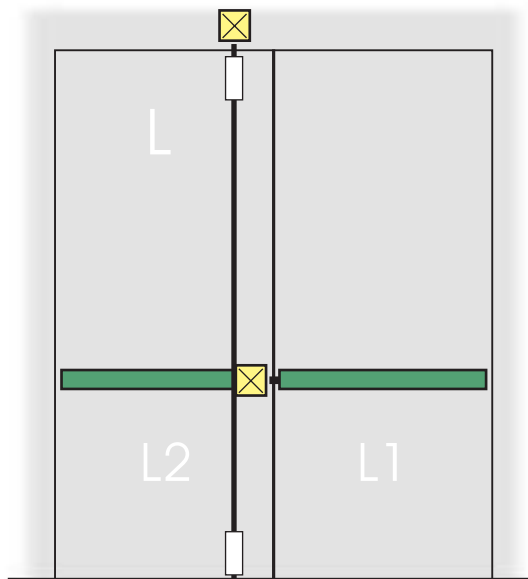


Application I:
BERNINI

6000.703+6000.B+6000.720/.721+6000.735

Push-bar type panic devices

Application schemes for double door



Application L:

L1 BERNINI

6000.1/1200

6000.701+6000.B

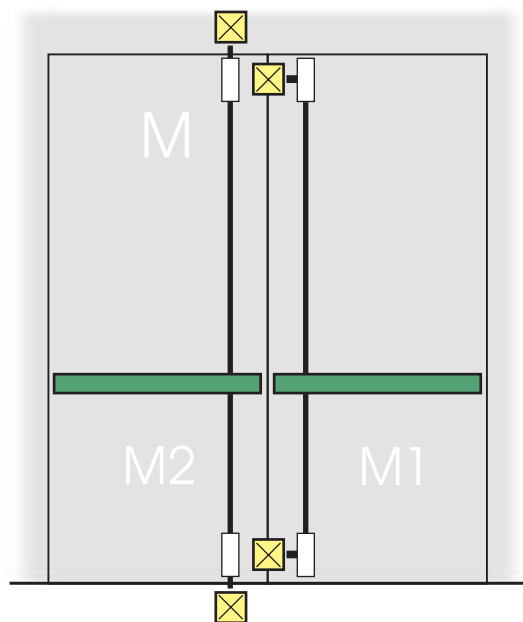
6000.703+6000.B

L2 BERNINI

6000.2/1200

6000.702+6000.B+6000.720/.721+6000.730

6000.703+6000.B+6000.720/.721+6000.730



Application M:

M1 BERNINI

6000.702+6000.B+6000.720/.721+6000.740

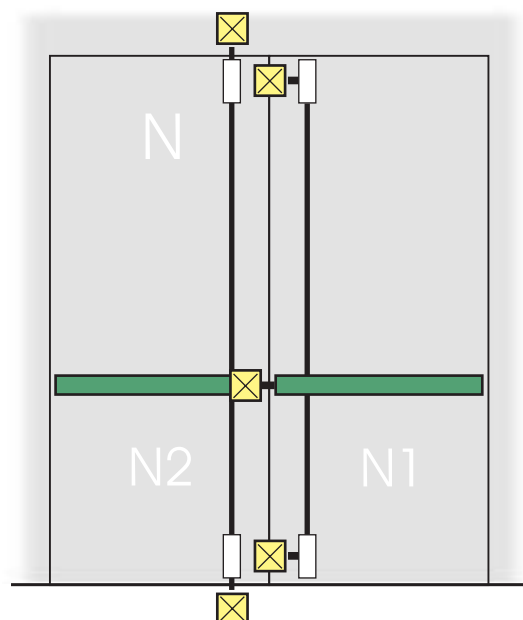
6000.703+6000.B+6000.720/.721+6000.740

M2 BERNINI

6000.2/1200

6000.702+6000.B+6000.720/.721+6000.730

6000.703+6000.B+6000.720/.721+6000.730



Application N:

N1 BERNINI

6000.3/1200

6000.703+6000.B+6000.720/.721+6000.740

N2 BERNINI

6000.2/1200

6000.702+6000.B+6000.720/.721+6000.730

6000.703+6000.B+6000.720/.721+6000.730

All vertical latching devices for single doors and active leaves of double doors can be supplemented with the supplementary locking point art. 6000.810.

Enter the world of SAVIO online:

www.savio.it

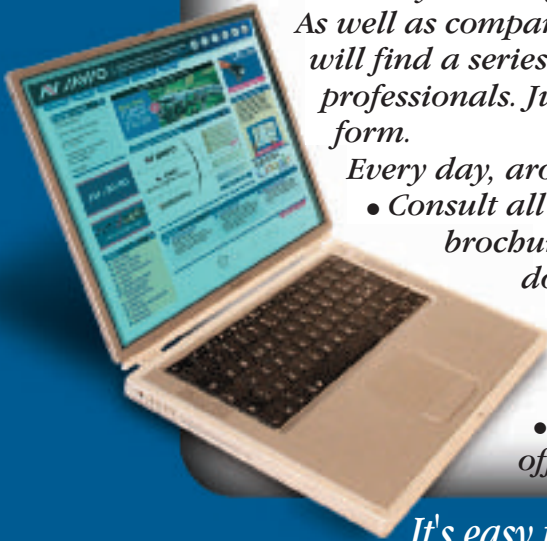
Look for the quality of SAVIO's BERNINI and CELLINI panic bars by PININFARINA and the full range of SAVIO products on the group's site.

Discover the advantages offered by a company portal constantly evolving to offer market operators new services. As well as company information and product news, you will find a series of free services aimed at sector professionals. Just register and fill in the special on line form.

Every day, around the clock, you will be able to:

- *Consult all technical documentation (catalogues, brochures, assembly instructions, etc) and download them in PDF format*
 - *Use the "SavioWeb Assistance" service*
 - *Be constantly updated on all new developments on the site via e-mail*
 - *Be the first to know about promotional offers.*

*It's easy to stay up-to-date with www.savio.it
all it takes a click!*



Savio S.p.A. Via Torino, 25 (S.S. 25)
10050 Chiusa S. Michele (TO) Italy
Tel.+39.011.964.34.64 - Fax+39.011.964.34.74
www.savio.it - e-mail: savio@savio.it

 **SAVIO**
*Quality and innovation
for closing systems*